

## BIN B210

---

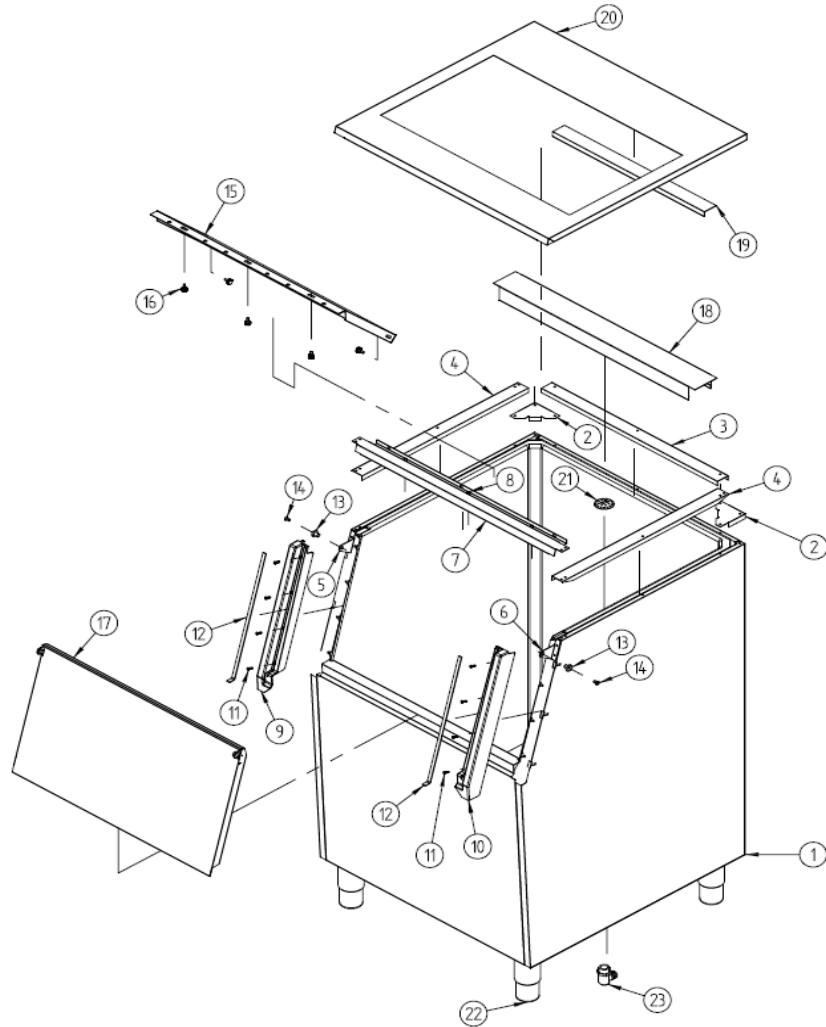


DESPIECE / REPUESTOS  
EXPLODED VIEW / SPARE PARTS  
EXPLOSIONSZEICHNUNG / ERSATZTEILE  
VUE ÉCLATÉE / PIÈCES DÉTACHÉES  
ESPLOSO / RICAMBI

# BIN EXPLODED VIEW



# BIN B210



DESCRIPTION		
1	STOCK BIN	6752
2	TOP COVER BRACKET	6744
3	REAR PANEL	6742
4	LATERAL PANEL	6741
5	LEFT HINGE	6740
6	RIGHT HINGE	6739
7	FRONT BRACE	6743
8	RIVET	1461
9	LEFT OPEN ENDING	6644
10	RIGHT OPEN ENDING	6643
11	SCREW	93
12	SILICONE PROTECTOR	6815
13	HINGE AXLE	6735
14	SCREW	6753
15	BIN DEFLECTOR	6745
16	INOX SCREW	6796
17	BIN DOOR	6748
18	BIN COVER REINFORCEMENT	3271
19	BIN COVER INTERIOR ANGLE	6817
	BIN COVER	
20	FD-HD / SS150	6746
	GR	6917
	MODULAR PS	6910
21	DRAIN GRILL	766
22	BIN LEG	6749
23	DRAN ELBOW	3683
24	DOOR BEARING	1001