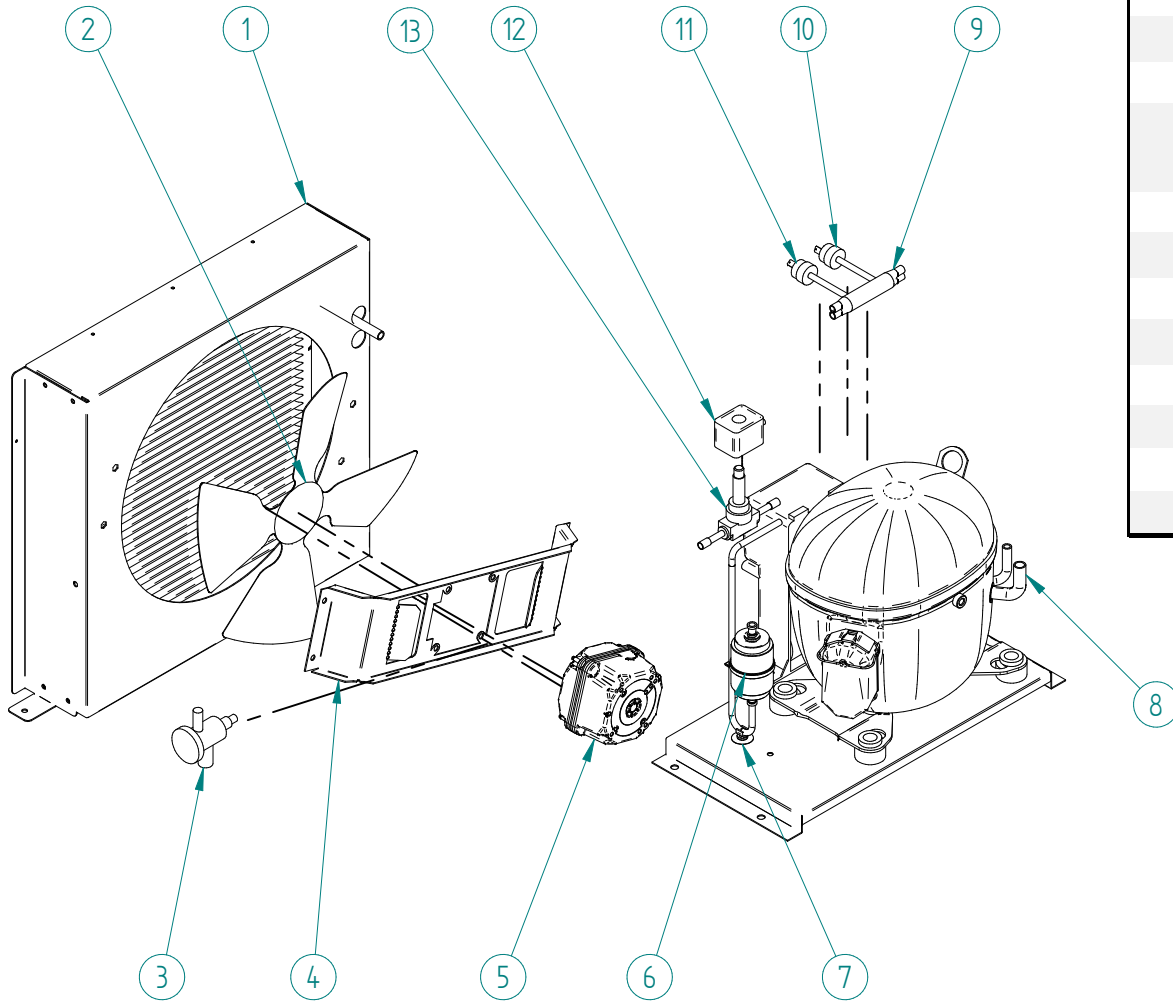


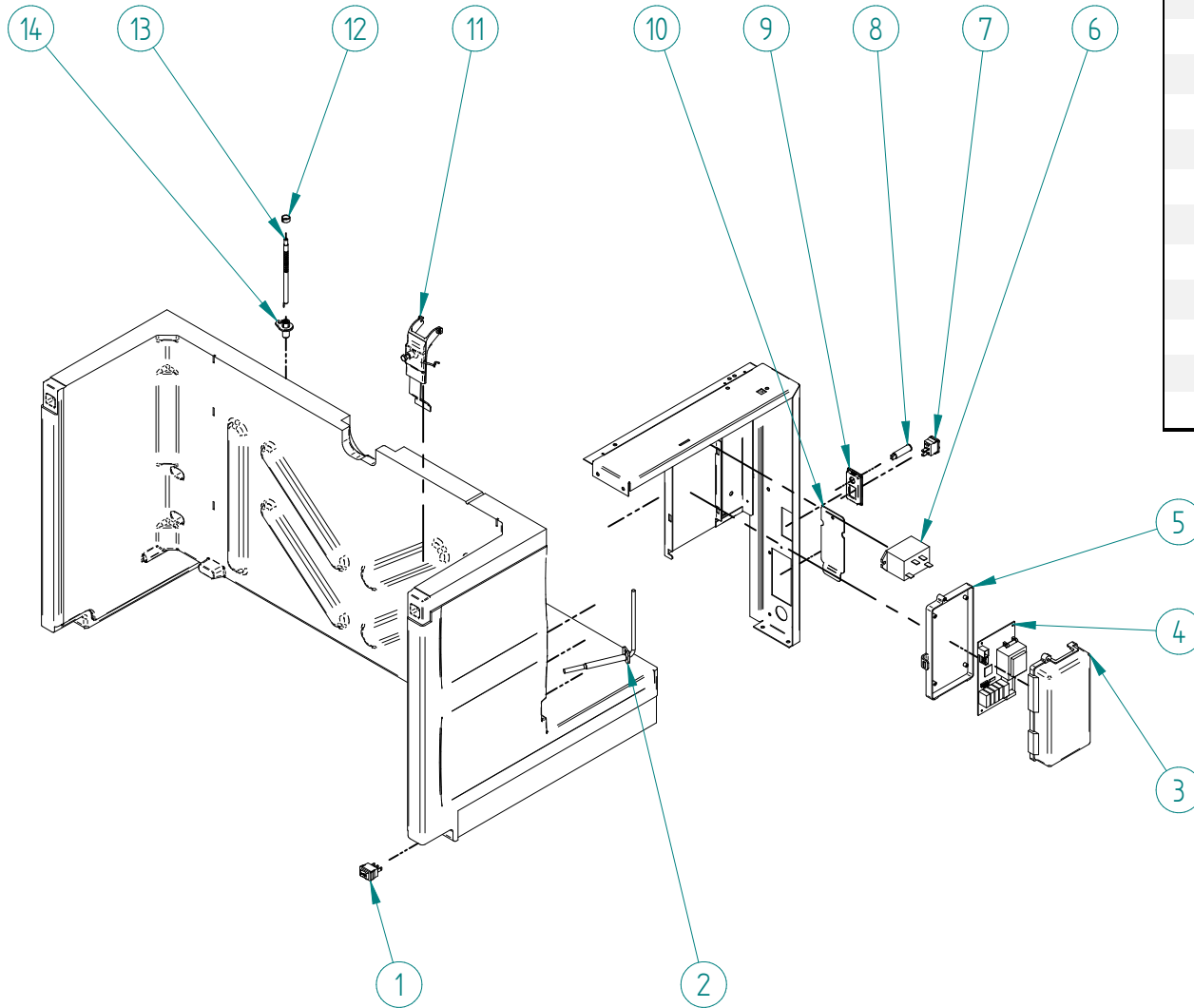
ICE TECH FD/HD R290



DESPIECE / REPUESTOS
EXPLODED VIEW / SPARE PARTS
EXPLOSIONSZEICHNUNG / ERSATZTEILE
VUE ÉCLATÉE / PIÈCES DÉTACHÉES
ESPLOSO / RICAMBI

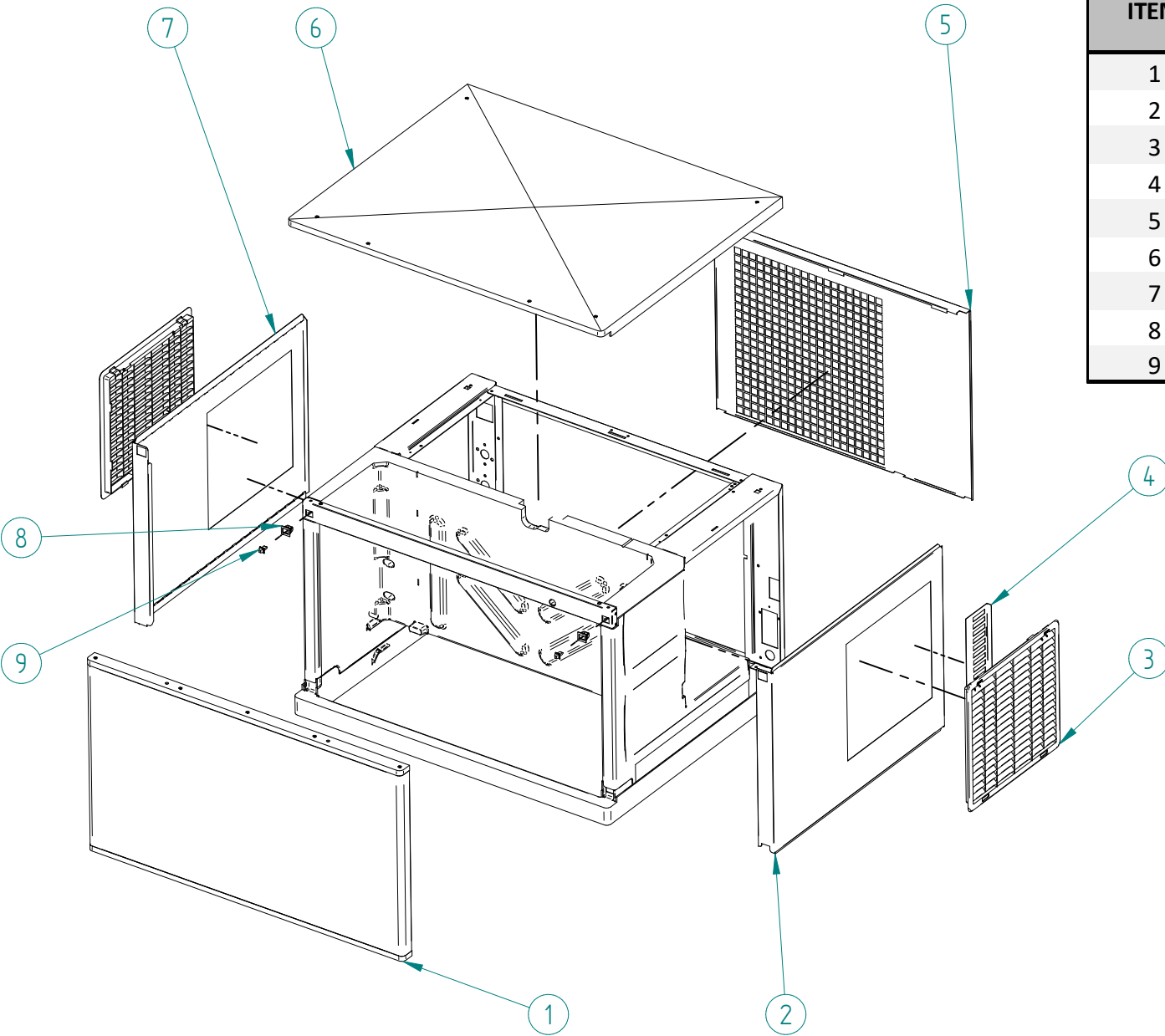


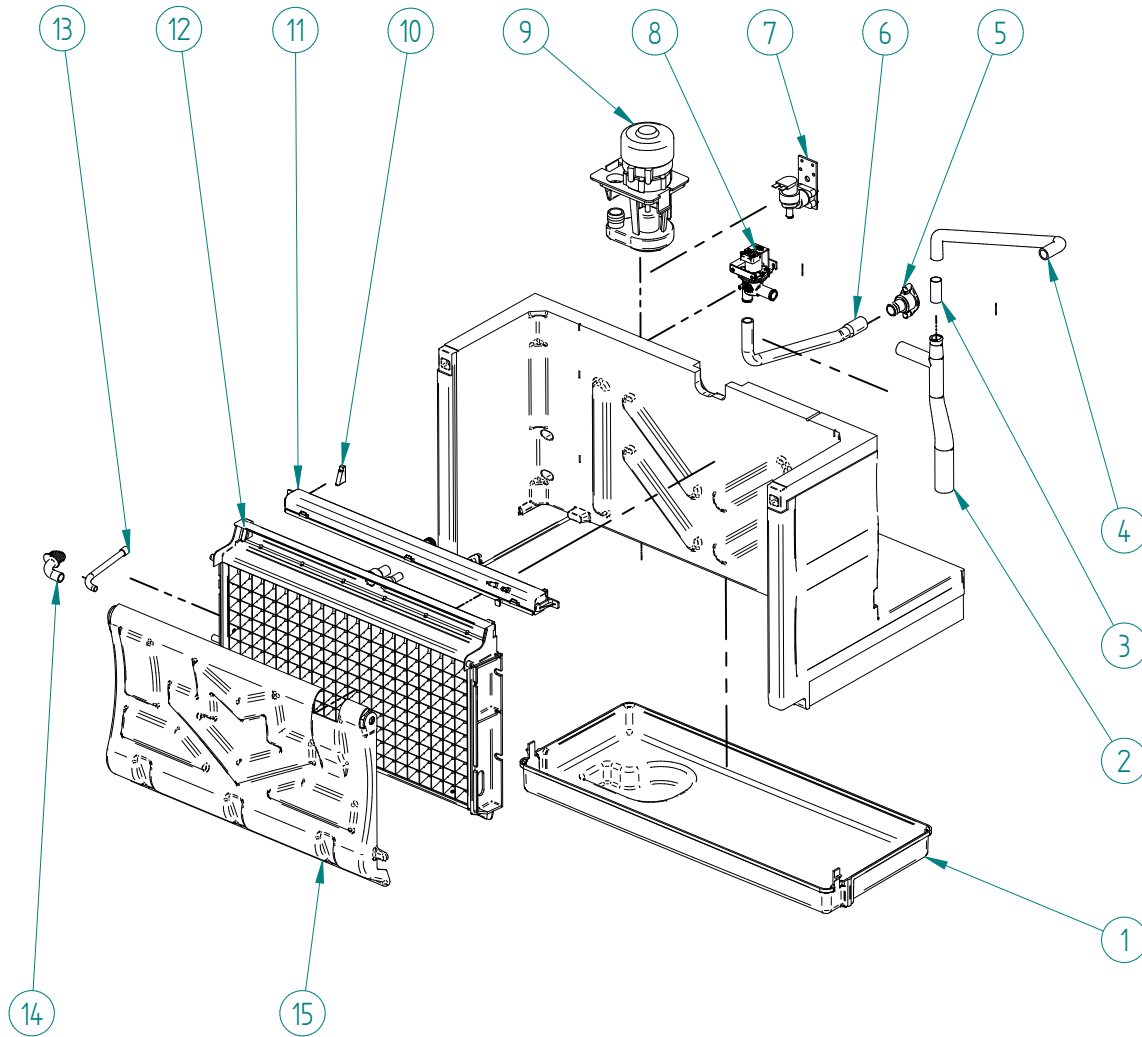
ITEM	DESCRIPTION	MODEL
		215
1	AIR CONDENSER	32846
2	FAN BLADE	6398
3	EXPANSION VALVE	31524
4	FAN SUPPORT	6500U
5	FAN MOTOR 220V/50HZ	32654
	FAN MOTOR WIRE 220V/50HZ	32656
6	DRIER FILTER	7896
7	PLASTIC CLIP 1/4"	3533
8	COMPRESSOR 220V/50HZ	31307
9	PRESSURE SWITCH COLLECTOR	31444
10	HIGH PRESSURE SWITCH	31660E
11	FAN CONTROL PRESSURE SWITCH	31160E
12	HOT GAS VALVE - COIL	5173
13	HOT GAS VALVE - BODY	6396



ITEM	DESCRIPTION	MODEL
		215
1	SWITCH (ICE-STANDBY-WASH)	6161
2	CURTAIN SENSOR	6521A
3	ELECTRIC BOX COVER	30861
4	ELECTRONIC BOARD 220V/50HZ	6252D
5	ELECTRIC BOX	2181
6	RELAY 220V/50HZ	32502
7	MAIN SWITCH	32416
8	BLUE LED	32415
9	MAIN SWITCH SUPPORT	32441
10	JUNCTION BOX COVER	N/A
11	THICKNESS ICE BLOCK SENSOR	6334
12	COMPRESSING RING	504
13	ISOLATED WATER LEVEL SENSOR	30982
14	SUPPORT WATER LEVEL SENSOR	8670

ITEM	DESCRIPTION	MODEL
		215
1	FRONT PANEL	6269
2	RIGHT PANEL	6327
3	SIDE LOUVER	6084
4	WIRE PROTECTION GRILL	32835
5	REAR PANEL	6315U
6	TOP PANEL	6073
7	LEFT PANEL	6328
8	FEMALE PANEL CLIP	6180
9	MALE PANEL CLIP	6181





ITEM	DESCRIPTION	MODEL
		215
1	WATER BIN	6078
2	LOWER WATER PUMP DISCHARGE TUBE	6130
3	WATER PUMP DISCHARGE TUBES JUNCTION	6526
4	UPPER WATER PUMP DISCHARGE TUBE	6129
5	DRAIN FITTING	6206
6	DRAIN TUBE	6131
7	INLET WATER VALVE 220V/50HZ	6980 + 6355
8	WATER DRAIN VALVE 220V/50HZ	6183
9	WATER PUMP 220V/50HZ	6509
10	DISTRIBUTOR JOINT	6456
11	WATER DISTRIBUTOR	30039G
12	EVAPORATOR FULL DICE ASSY	6337
	EVAPORATOR HALF DICE ASSY	6338
13	PIPE	3363
14	PIPE PROTECTION	6132
15	CURTAIN	6081K