



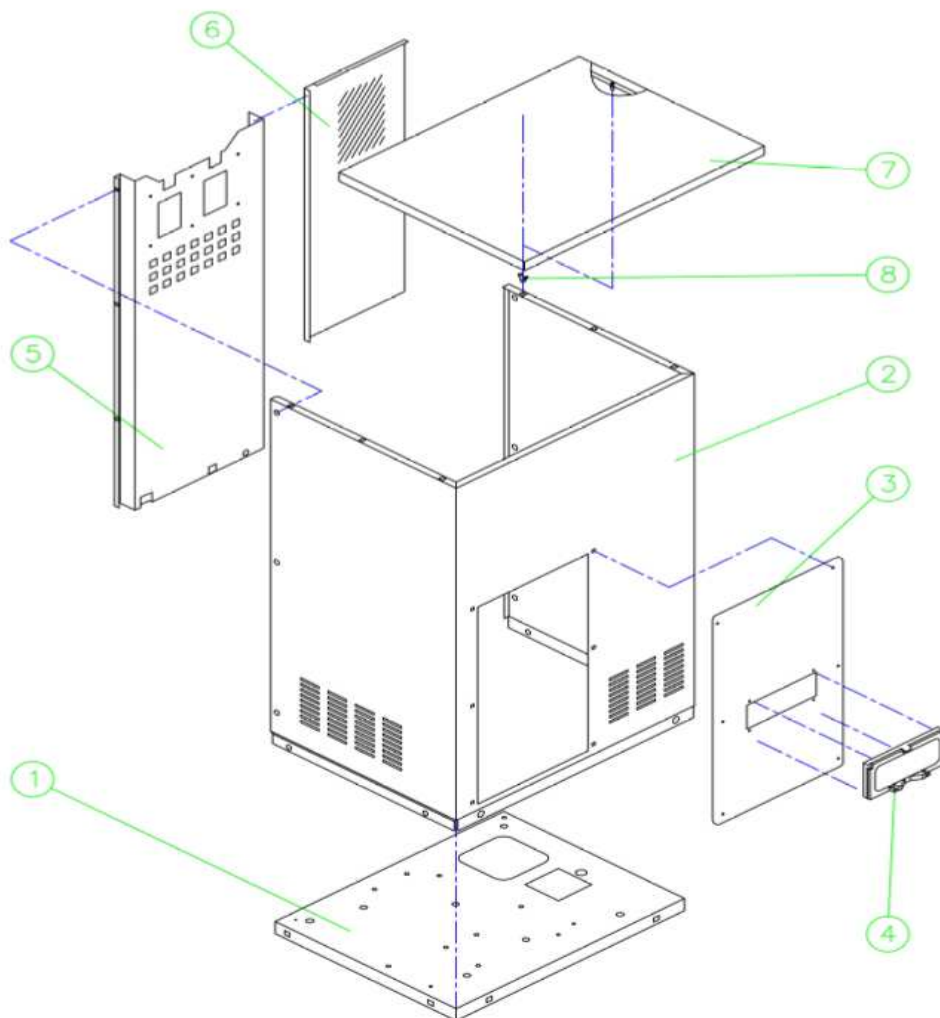
GR560 SPLIT



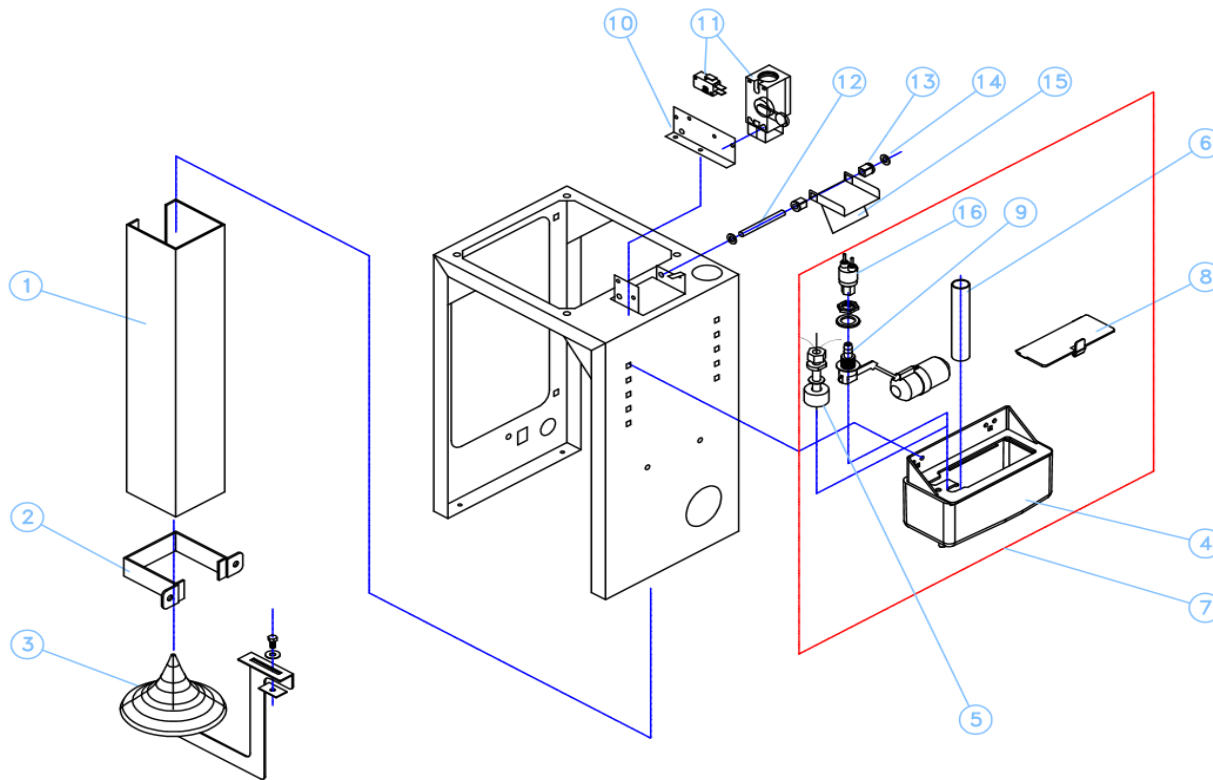
DESPIECE / REPUESTOS
EXPLODED VIEW / SPARE PARTS
EXPLOSIONSZEICHNUNG / ERSATZTEILE
VUE ÉCLATÉE / PIÈCES DÉTACHÉES
ESPLOSO / RICAMBI

TECHNICAL ASSISTANCE





NAME		
1	BASE	3413
2	COVERING	3416
3	ELECTRICAL BOX COVER	2903
4	PLASTIC COVER	1479
5	CONNECTIONS SUPPORT	3415
6	REAR COVER	3417
7	TOP COVER	3419
8	CLIP	312

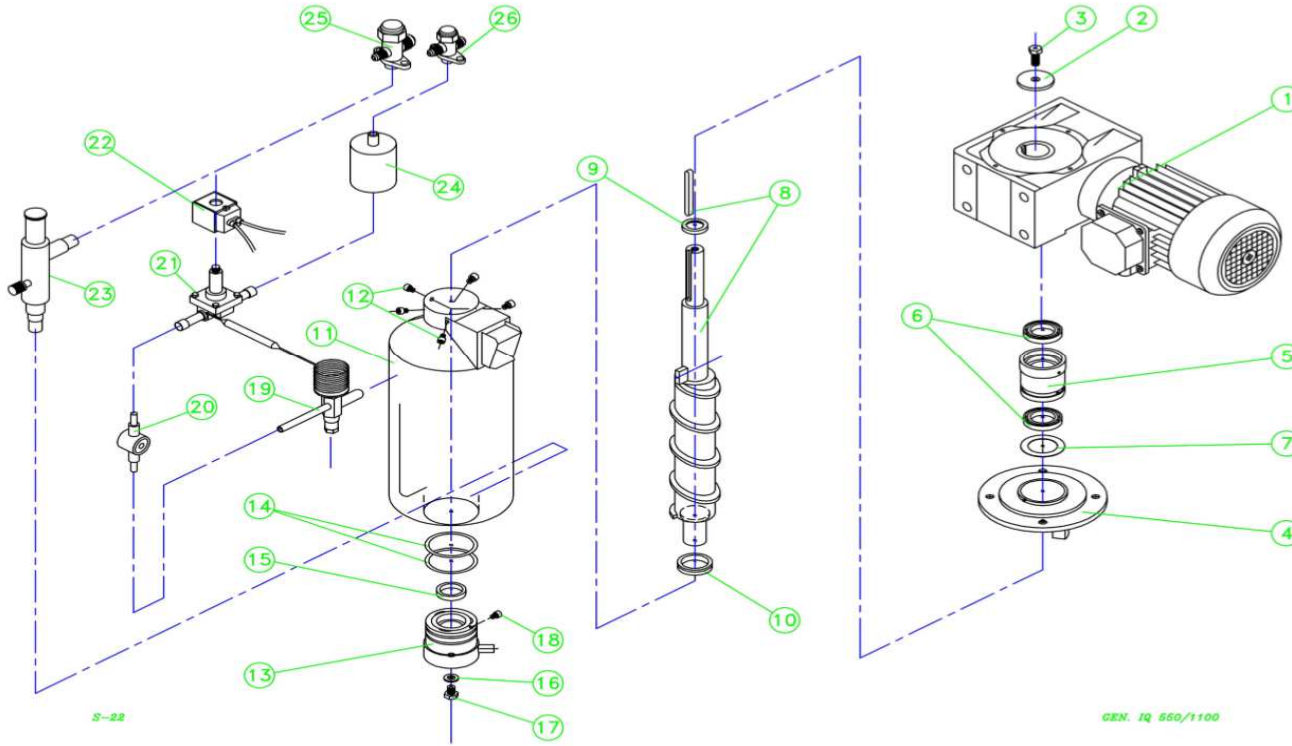


NAME		
1	ICE DELIVERY CHUTE	2444
2	FLANGE	2447
3	DISPERSION CONE	7228
4	WATER BIN	6036A
5	WATER LEVEL PROBE	5423
6	OVERFLOW TUBE	2505
7	COMPLETE WATER BIN	5231A
8	TOP PANEL BIN	1968
9	VERTICAL FLOAT VALVE	5340
10	STOP MICRO SUPPORT	2863
	STOP MICRO	2517
11	STOP MICRO (old units)	2562
12	SHAFT	2514
13	DOOR BUSHING	171
14	ARTICULATION JOINT	107
15	STOP BASCULE	2434
16	WATER LEVEL SWITCH	1120

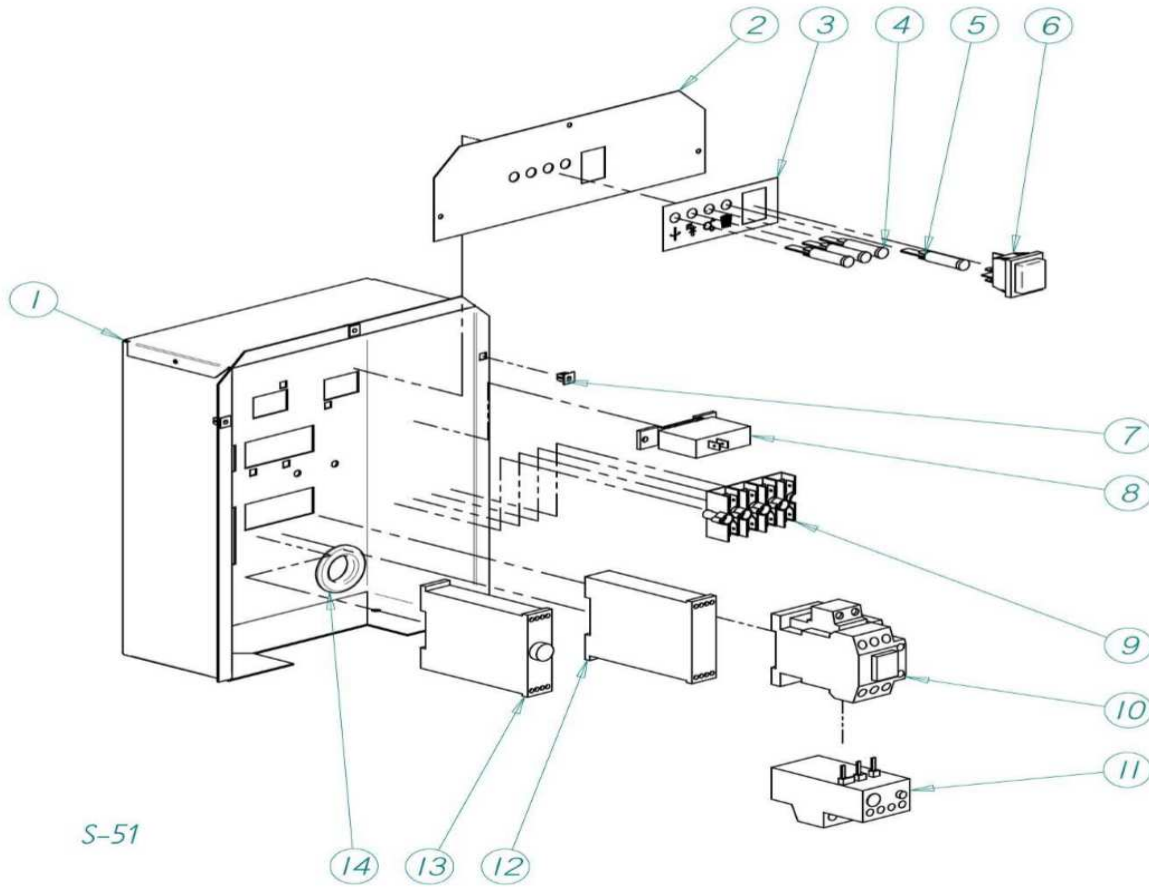
EVAPORATOR



GR560 SPLIT



		NAME	
		GEAR MOTOR	
		220V/50Hz	31083
		380V/50-60Hz	30363
		3 PHASE (before 17971560) 380V/50-60Hz	31249
		230V/60Hz	1031
2		4X13X5 WASHER	1850
3		12X30 SCREW	719
4		MOTOR SUPPORT	30874
		MOTOR SUPPORT (before 17971560)	5366
5		UP BEARING	NO SE USA
6		SEAL	NO SE USA
7		55X67 WASHER (before 17971560)	2662
8		AUGER	894
9		WASHER (before 17971560)	1820
10		V-RING	2335
11		EVAPORATOR	7636
12		SCREW	2871
13		BOTTOM BEARING	162
14		O-RING	2484
15		SEAL	726
16		WASHER	2510
17		8X10 SCREW	2449
18		5X6 G65 SCREW	2595
19		EXPANSION VALVE	1035
20		SIGHT	336
21		SOLENOID VALVE	843
22		COIL	5173
23		KVP SUCTION VALVE	3411
24		FILTER	2560
25		1/2" VALVE	3398
26		3/8" VALVE	3397
*		COMPLETE EVAPORATOR KIT	7177



DENOMINACION	
1	ELECTRIC BOX 3422
2	PILTO SUPPORT 3423
3	CASE 6662
4	RED LIGHT 1457
5	ORANGE LIGHT 1458
6	MAIN SWITCH 2287
7	NUT 2347
8	TIMER 2471
9	CONNECTION POINT 5177
10	CONTACTOR 536A
11	BREAKER 47135
12	PHASE SEQUENCE RELAY 3210
13	SOLENOID TIMER 3424
14	CABLE OPENING 2520

S-51