

SK

Spray system



ICETECH
ICE MAKERS



Spray system



General features

ICE TECH SK series are designed for the hospitality industry: bars, restaurants, pubs... incorporating innovative features.

ICE TECH SK gourmet full ice cube is the most desired ice cube either for the professional or consumer. Ideal to be used with soft drinks and spirits.

ICE TECH SK ice cubes melt very slowly, allowing customers to enjoy cooled drinks longer.

A nice and esthetic external high quality finishing with integrated door improves the machine cleanliness.

HCFC free foam injected polyurethane for outstanding insulation, ICE TECH SK machine will preserve the consistency and the quality of the ice produced, longer than any other machine.

ICE TECH SK machines have NO FINGERPRINT external body, so always remain clean and mean lower maintenance cost.

All parts in contact with water have been designed in order to minimize their friction and to ensure maximum surface tension, reducing substantially the sound level.

Technical features / Operating limits

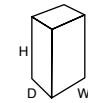
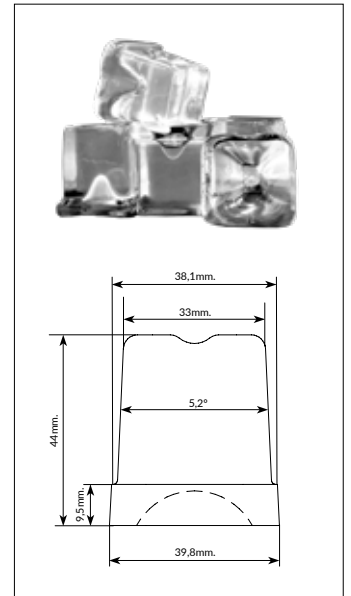
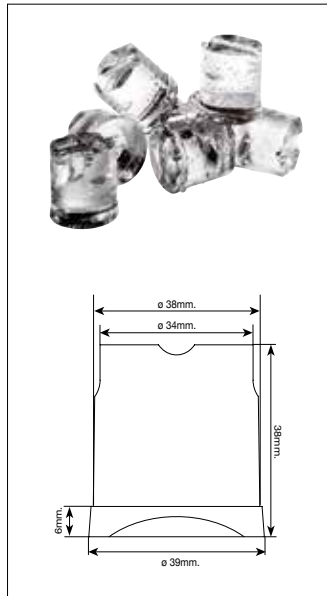
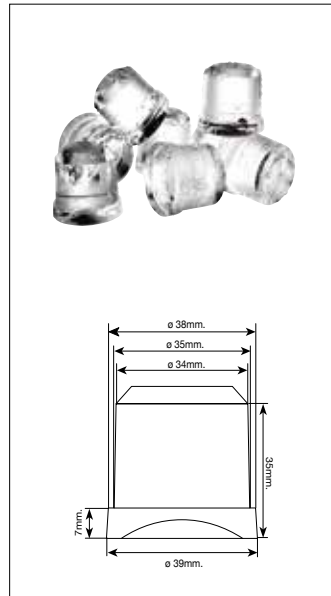
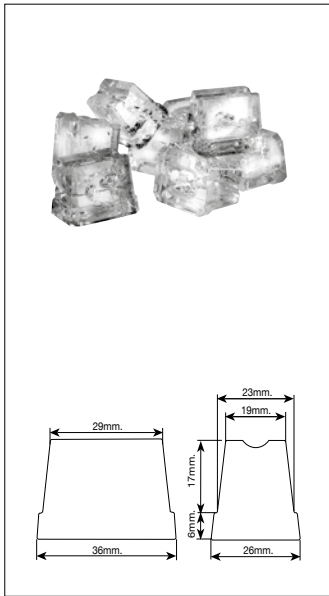
Ice Cube	S 14gr. / M 22gr. / L 34gr. & 40gr. IT SK 25 produces S ice cube - 14 gr. IT SK 35, SK45, SK60 produce L ice cube - 40 gr. IT SK 80, SK135 produce L ice cube - 34 gr.
Body	Galvanized steel with plastic coating.
Spray system	With special flexible spray nozzles ICE TECH patented and designed to prevent the calcareous buildup.
Electromechanical control	SK80, SK135
Electronic control	SK25, SK35, SK45, SK60
Switch	External On/Off switch.
Tropicalized machines	Class T
Operating conditions	Air temperature: 10 – 43°C Water temperature: 5 – 38°C Water pressure: 0,7 – 6 bar
Ice Production capacity	Kg/24h at Ambient temperature 21°C, Water temperature 15°C.
Certification	ISO 9001, CE
Others	Refrigerant R452A & R290 Water inlet connection Ø=3/4" Gas Drain connection Ø=20 mm Single-phase input 220V-50Hz. / Optional: 220V-60Hz

S | 14 gr

M | 22 gr

L | 34 gr

L | 40 gr



WIDTH x DEPTH x HEIGHT
Dimensions mm.

Model	Ice Cube	Condensation System	Production Kg. / Day	Storage Kg.	Maximum Power Input W.	WIDTH x DEPTH x HEIGHT Dimensions mm.
ICE TECH SK 25 R290	S 14 gr.	Air	22	6	260	350 x 475 x 595
		Water	24		260	
ICE TECH SK 35 R290	M 22gr. L 40gr.	Air	32	15	356	435 x 605 x 695*
		Air	32		356	
		Water	34		260	
ICE TECH SK 45 R290	M 22gr. L 40gr.	Air	43	15	510	435 x 605 x 695*
		Air	43		510	
		Water	45		510	
ICE TECH SK 60 R290	M 22gr. L 40gr.	Air	62	30	540	515 x 645 x 840*
		Air	62		540	
		Water	65		540	
ICE TECH SK 80 R290	M 22gr. L 40gr.	Air	82	40	720	645 x 645 x 870**
		Water	86		720	
ICE TECH SK 135 R290	M 22gr. L 40gr.	Air	134	60	1150	930 x 565 x 915**
		Water	136		1150	

With discharge pump

* Legs + 12 - 20 mm
** Legs + 105 - 155 mm