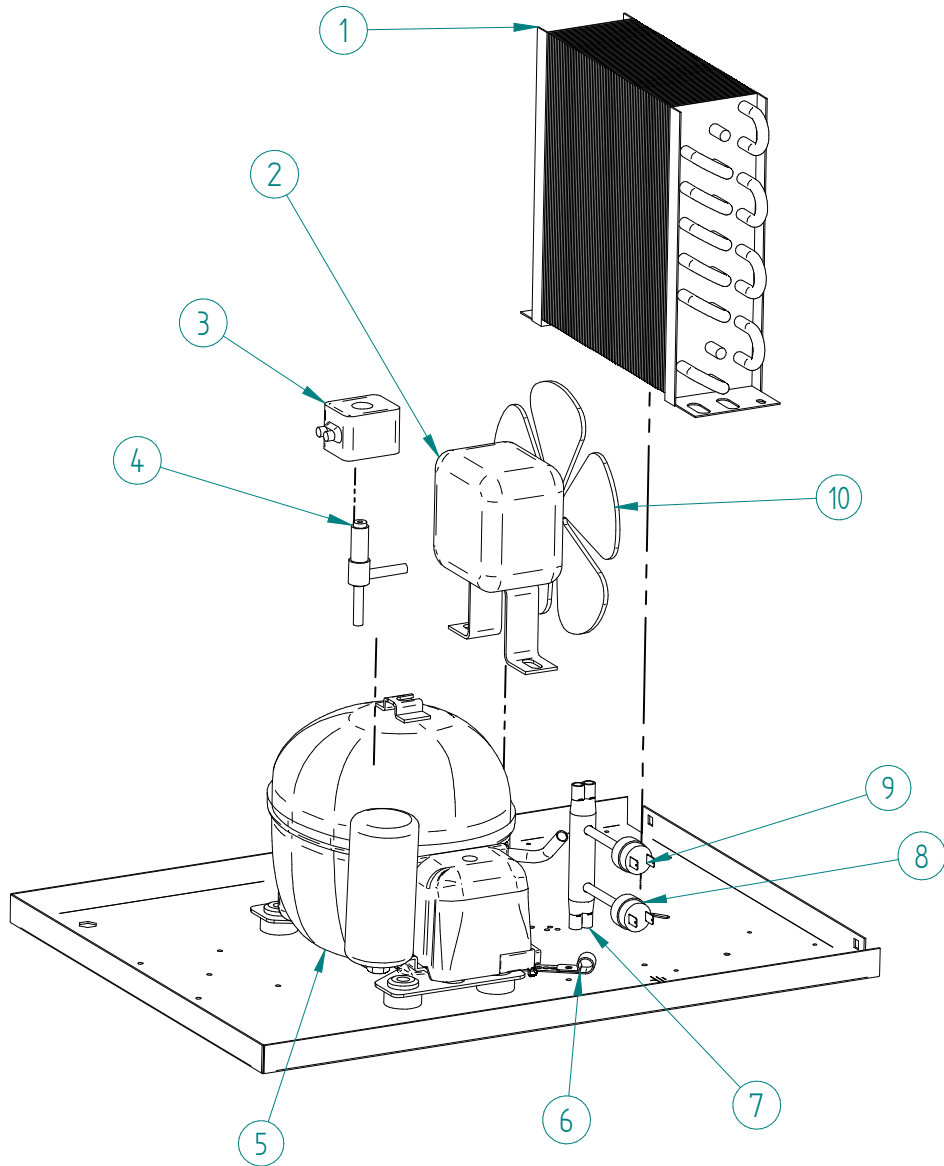


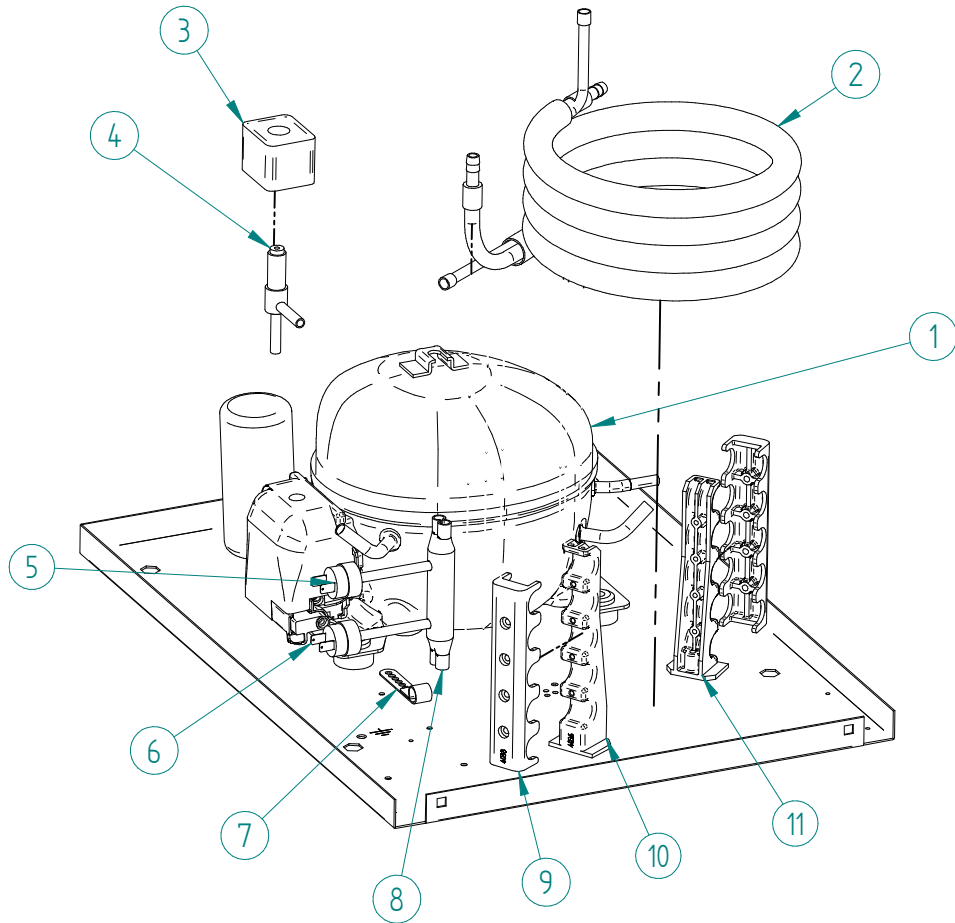


DESPIECE / REPUESTOS
EXPLODED VIEW / SPARE PARTS
EXPLOSIONSZEICHNUNG / ERSATZTEILE
VUE ÉCLATÉE / PIÈCES DÉTACHÉES
ESPLOSO / RICAMBI



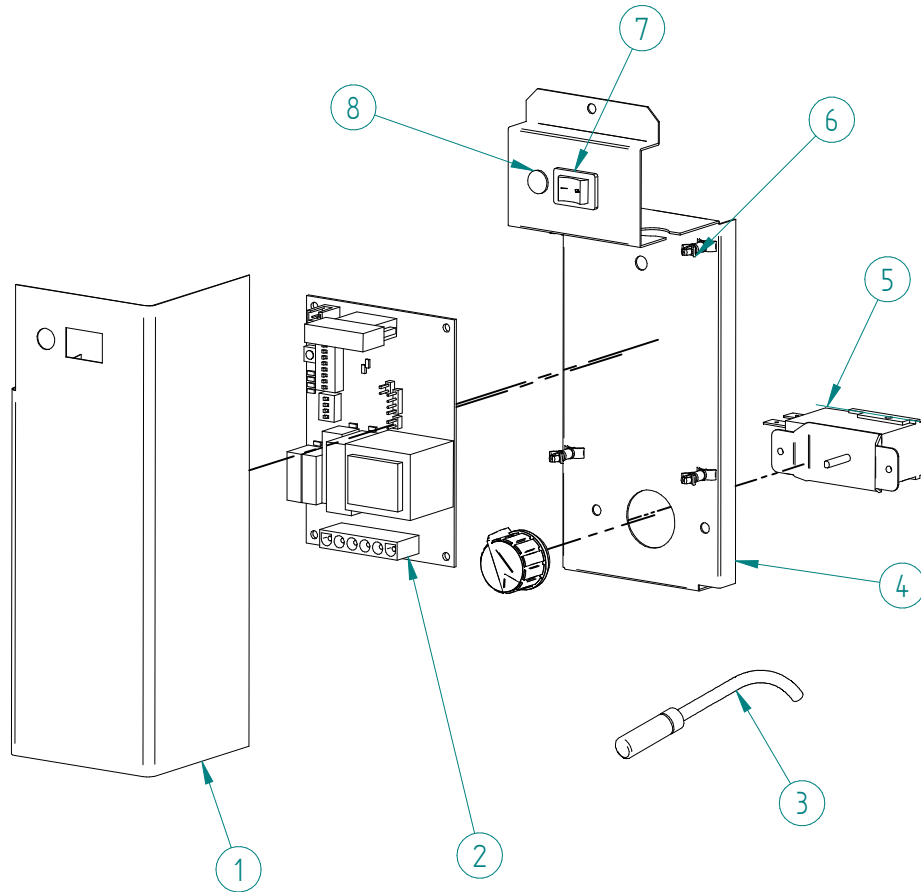
| ITEM | DESCRIPTION | CODE |
|------|-----------------------------|--------------------|
| 1 | AIR CONDENSER | 6907 |
| 2 | FAN MOTOR | 220V/50HZ 2170 |
| 3 | HOT GAS VALVE - COIL | 220V/50HZ 6906 |
| 4 | HOT GAS VALVE - BODY | 6904 |
| 5 | COMPRESSOR | 220V/50HZ 31301 |
| 6 | CLIP TUBE | 337 |
| 7 | PRESSURE SWITCH COLLECTOR | 31444 |
| 8 | HIGH PRESSURE SWITCH | 31660E |
| 9 | FAN CONTROL PRESSURE SWITCH | 31160E |
| 10 | FAN BLADE | 4887 |

***SERIAL NUMBER MUST BE PROVIDED**



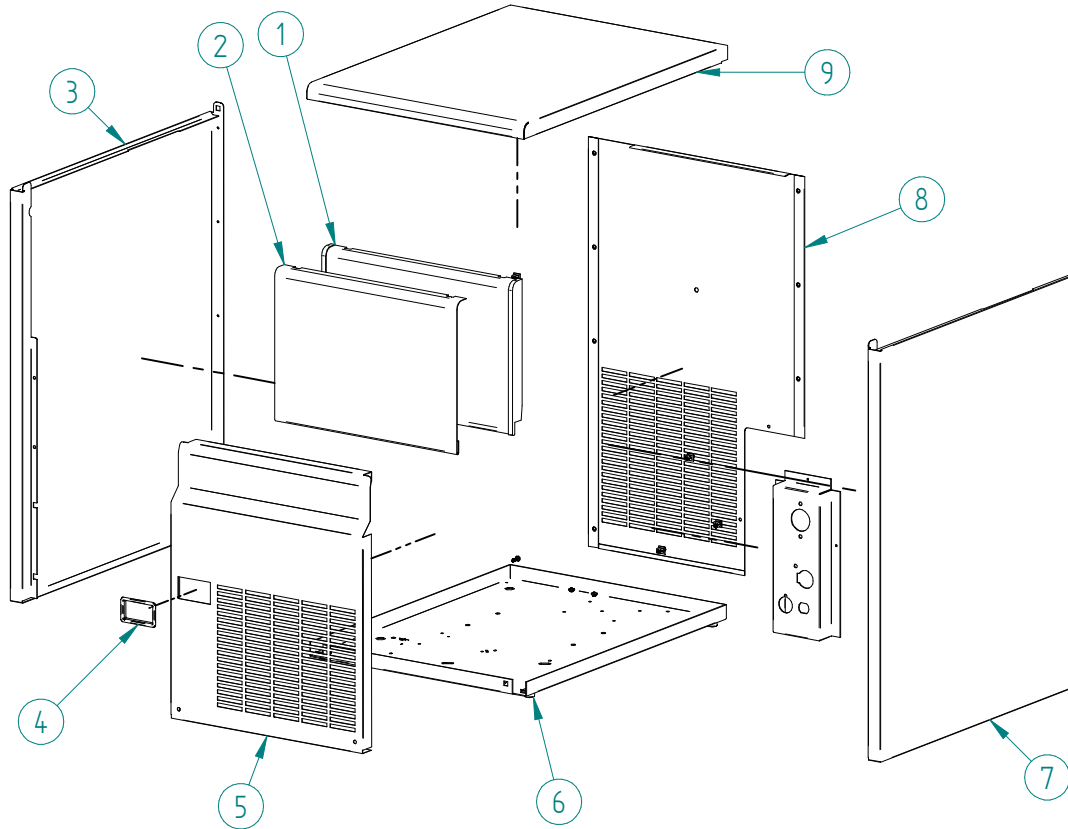
| ITEM | DESCRIPTION | | CODE |
|------|----------------------------------|-----------|--------|
| 1 | COMPRESSOR | 220V/50HZ | 31301 |
| 2 | WATER CONDENSER | | 5224 |
| 3 | HOT GAS VALVE - COIL | 220V/50HZ | 6906 |
| 4 | HOT GAS VALVE - BODY | | 6904 |
| 5 | FAN CONTROL PRESSURE SWITCH | | 31160E |
| 6 | HIGH PRESSURE SWITCH | | 31660E |
| 7 | CLIP TUBE | | 337 |
| 8 | PRESSURE SWITCH COLLECTOR | | 31444 |
| 9 | WATER CONDENSER EXTERNAL SUPPORT | | 4038 |
| 10 | WATER CONDENSER LOWER SUPPORT | | 4037 |
| 11 | WATER CONDENSER UPPER SUPPORT | | 4036 |

***SERIAL NUMBER MUST BE PROVIDED**



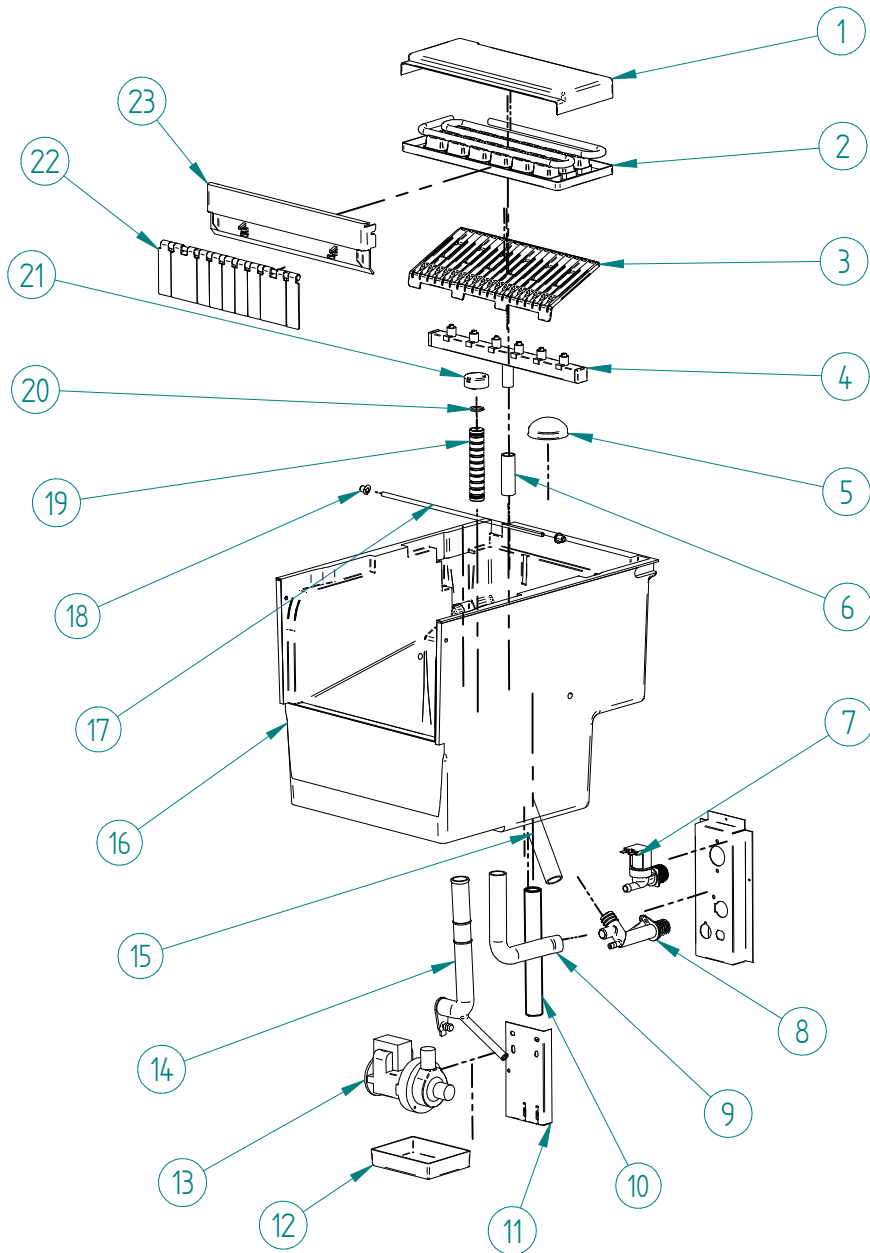
| ITEM | DESCRIPTION | CODE |
|------|----------------------------|--------|
| 1 | ELECTRIC BOX COVER* | 8213U |
| 2 | ELECTRONIC BOARD 220V/50HZ | 8143D |
| 3 | TEMPERATURE PROBE | 3004 |
| 4 | ELECTRIC BOX SUPPORT* | 31826U |
| 5 | BIN THERMOSTAT | 274 |
| 6 | ELECTRONIC BOARD CLIP | 31544 |
| 7 | MAIN SWITCH* | 32416 |
| 8 | BLUE LED* | 32415 |

*SERIAL NUMBER MUST BE PROVIDED



| ITEM | DESCRIPTION | CODE |
|------|------------------------------------|----------------|
| 1 | DOOR | 853 |
| 2 | DOOR COVER SS DOOR COVER SK | 30210 4981 |
| 3 | LEFT PANEL SS LEFT PANEL SK | 2295 4915 |
| 4 | MAIN SWITCH SUPPORT | 32442 |
| 5 | FRONT PANEL SS* FRONT PANEL SK* | 1933U 4916U |
| 6 | LEGS | 2171 |
| 7 | RIGHT PANEL SS RIGHT PANEL SK | 2294 4914 |
| 8 | REAR COVER | 1794 |
| 9 | TOP PANEL SS TOP PANEL SK | 1925 4917 |

***SERIAL NUMBER MUST BE PROVIDED**



| ITEM | DESCRIPTION | CODE |
|------|--------------------------------|----------------|
| 1 | EVAPORATOR COVER | 1432 |
| 2 | EVAPORATOR ALFA 16GR | 6921 |
| 3 | ICE CUBES RAMP | 31114 |
| 4 | SPRAY BAR | 7333 |
| 5 | FILTER | 580 |
| 6 | SPRAY BAR TUBE | 993 |
| 7 | INLET WATER VALVE 1B 220V/50HZ | 6982 |
| | INLET WATER VALVE 2B 220V/50HZ | 6981+6959+4526 |
| 8 | DRAIN FITTING | 363 |
| 9 | DRAIN TUBE | 2189 |
| 10 | WATER PUMP DISCHARGE TUBE | 4744 |
| 11 | PUMP SUPPORT | 4613 |
| 12 | WATER PUMP TRAY | 4521 |
| 13 | WATER PUMP 220V/50HZ | 4769 |
| 14 | WATER PUMP SUCTION TUBE | 4961 |
| 15 | DRAIN TUBE | 2752 |
| 16 | BIN | 7503 |
| 17 | THERMOSTAT TUBE | 5230 |
| 18 | THERMOSTAT JOINT | 666 |
| 19 | OVERFLOW PIPE | 4426 |
| 20 | O-RING | 4496 |
| 21 | OVERFLOW PIPE CAP | 4427 |
| 22 | CURTAIN ASSEMBLY | 5223 |
| 23 | CURTAIN HOLDER | 8358A |

***SERIAL NUMBER MUST BE PROVIDED**