

SS

Spray system



ICETECH
ICE MAKERS





General features

ICE TECH SS series are designed for the hospitality industry: bars, restaurants, pubs... incorporating innovative features.

ICE TECH SS gourmet full ice cube is the most desired ice cube either for the professional or consumer. Ideal to be used with soft drinks and spirits.

ICE TECH SS ice cubes melt very slowly, allowing customers to enjoy cool drinks longer.

AISI 304 Stainless Steel external high quality finishing with integrated door that improves machine cleanliness.

HCFC free foam injected polyurethane for outstanding insulation, ICE TECH SS, machine will preserve the consistency and the quality of the ice produced, longer than any other machine.

All parts in contact with water have been designed in order to minimize their friction and to ensure maximum surface tension, reducing substantially the sound level.

Technical features / Operating limits

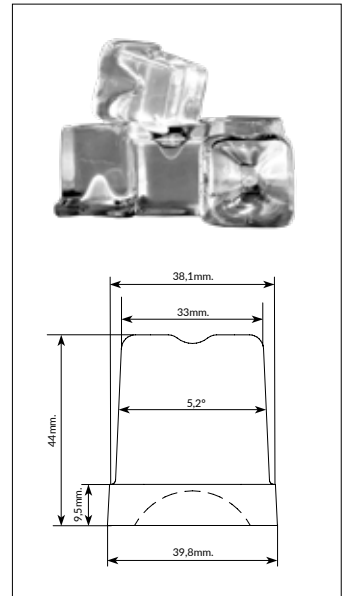
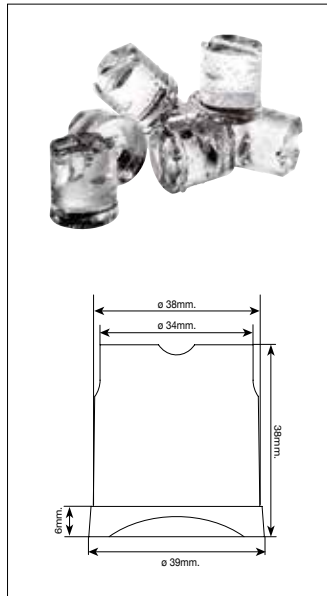
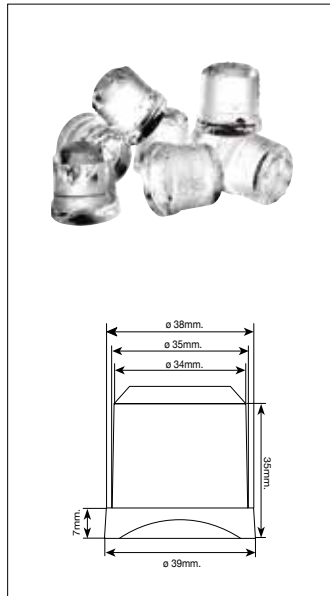
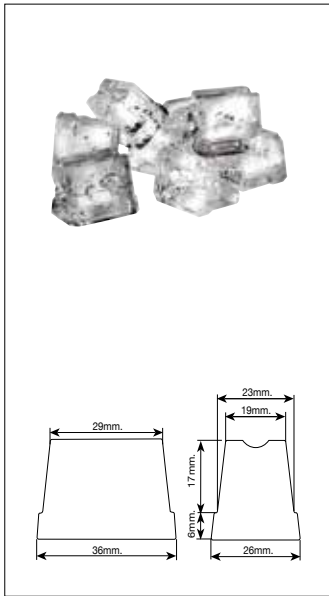
Ice Cube	S 14gr. / M 22gr. / L 34gr. & 40gr.
Body	AISI 304 Stainless Steel.
Spray system	With special flexible spray nozzles ICE TECH patented and designed to prevent the calcareous buildup.
Electromechanical control	SS150
Electronic control	SS25, SS35, SS45, SS60, SS80, SS135, SS400
Switch	External On/Off switch.
Tropicalized machines	Class T
Operating conditions	Air temperature: 10 - 43°C Water temperature: 5 - 38°C Water pressure: 0,7 - 6 bar
Ice Production capacity	Kg/24h at Ambient temperature 21°C, Water temperature 15°C.
Certification	ISO 9001, CE
Others	Refrigerant R452A & R290 Water inlet connection Ø=3/4" Gas Drain connection Ø=20 mm Single-phase input 220V-50Hz. / Optional: 220V-60Hz

S | 14 gr

M | 22 gr

L | 34 gr

L | 40 gr



ICE TECH SS 25 R290



350 x 475 x 595 mm

CONDENSATION SYSTEM	CODE	CUBE	PRODUCTION (Kg./24h)	FREQUENCY & VOLTAGE (V/Hz/N)	STORAGE (Kg.)	NET WEIGHT (Kg.)	SPEC SHEET
Air	21520U	S	22	230 / 50 / 1	6	32	
Water	21521U	S	24	230 / 50 / 1	6	32	

Packed shipping info: Packed dimensions (LxPxX): 430 x 540 x 720mm - Weight: 36 Kg - Packed volume: 0,17 m³

ICE TECH SS 35 R290



435 x 605 x 695* mm

CONDENSATION SYSTEM	CODE	CUBE	PRODUCTION (Kg./24h)	FREQUENCY & VOLTAGE (V/Hz/N)	STORAGE (Kg.)	NET WEIGHT (Kg.)	SPEC SHEET
Air	21530U	M	33	230 / 50 / 1	15	41	
Air	21530UD	M	33	230 / 50 / 1	15	41	
Water	21531U	M	37	230 / 50 / 1	15	41	
Air	21630U	L	33	230 / 50 / 1	15	41	
Air	21530UD	L	33	230 / 50 / 1	15	41	
Water	21631U	L	37	230 / 50 / 1	15	41	

Packed shipping info: Packed dimensions (LxPxX): 500 x 650 x 830mm - Weight: 46 Kg - Packed volume: 0,28 m³

**Legs +105/155mm



ICETECH S.A.
POL. IND. LA REVA, SECTOR 13, AV. GREMIS, 1
46394 RIBARROJA DE TURIA, VALENCIA, SPAIN
PHONE: +34 961 667 636 | FAX: +34 961 668 944
sales@icetechice.com | www.icetechice.com



SERVICE
SERVICIO ASISTENCIA TÉCNICA
sales@icetechice.com
Skype: ICETECH.Service
+34 961 667 639
8:00 AM | 7:00 PM



Subject to certain limitations and exclusions. Only spare parts.
Sujeto a limitaciones y exclusiones.
Solo piezas de repuesto



9001
14001



ICE TECH SS 45 R290



435 x 605 x 695** mm

CONDENSATION SYSTEM	CODE	CUBE	PRODUCTION (Kg./24h)	FREQUENCY & VOLTAGE (V/Hz/N)	STORAGE (Kg.)	NET WEIGHT (Kg.)	SPEC SHEET
Air	21540U	M	43	230 / 50 / 1	15	44	
Air DP	21540UD	M	43	230 / 50 / 1	15	44	
Water	21541U	M	45	230 / 50 / 1	15	44	
Air	21640U	L	43	230 / 50 / 1	15	44	
Air DP	21540UD	L	43	230 / 50 / 1	15	44	
Water	21641U	L	45	230 / 50 / 1	15	44	

Packed shipping info: Packed dimensions (LxPxA): 500 x 650 x 830mm - Weight: 46 Kg - Packed volume: 0,28 m³

**Legs +105/155mm

ICE TECH SS 60 R290



515 x 645 x 840** mm

CONDENSATION SYSTEM	CODE	CUBE	PRODUCTION (Kg./24h)	FREQUENCY & VOLTAGE (V/Hz/N)	STORAGE (Kg.)	NET WEIGHT (Kg.)	SPEC SHEET
Air	21560U	M	58	230 / 50 / 1	30	54	
Air DP	21660UD	M	58	230 / 50 / 1	30	54	
Water	21561U	M	60	230 / 50 / 1	30	54	
Air	21660U	L	61	230 / 50 / 1	30	54	
Air DP	21660UD	L	61	230 / 50 / 1	30	54	
Water	21661U	L	62	230 / 50 / 1	30	54	

Packed shipping info: Packed dimensions (LxPxA): 585 x 700 x 965mm - Weight: 58 Kg - Packed volume: 0,40 m³

**Legs +105/155mm

ICE TECH SS 80 R290



645 x 645 x 870** mm

CONDENSATION SYSTEM	CODE	CUBE	PRODUCTION (Kg./24h)	FREQUENCY & VOLTAGE (V/Hz/N)	STORAGE (Kg.)	NET WEIGHT (Kg.)	SPEC SHEET
Air	21580U	M	82	230 / 50 / 1	40	62	
Air* DP	21580UD	M	79	230 / 50 / 1	40	62	
Water	21581U	M	81	230 / 50 / 1	40	62	
Air	21680U	L	81	230 / 50 / 1	40	62	
Air* DP	21680UD	L	81	230 / 50 / 1	40	62	
Water	21681U	L	84	230 / 50 / 1	40	62	

Packed shipping info: Packed dimensions (LxPxA): 720 x 710 x 1.000 mm - Weight: 66 Kg - Packed volume: 0,51 m³

*Available soon

**Legs +105 - 155mm

ICE TECH SS 135 R290



930 x 565 x 915** mm

CONDENSATION SYSTEM	CODE	CUBE	PRODUCTION (Kg./24h)	FREQUENCY & VOLTAGE (V/Hz/N)	STORAGE (Kg.)	NET WEIGHT (Kg.)	SPEC SHEET
Air	21590U	M	134	230 / 50 / 1	60	83	
Air*	21590UD	M	134	230 / 50 / 1	60	83	
Water	21591U	M	136	230 / 50 / 1	60	83	
Air	21690U	L	134	230 / 50 / 1	60	83	
Air*	21690UD	L	134	230 / 50 / 1	60	83	
Water	21593U	L	136	230 / 50 / 1	60	83	

Packed shipping info: Packed dimensions (LxPxA): 1.000 x 630 x 1.040 mm - Weight: 104 Kg - Packed volume: 0,66 m³

*Available soon

**Legs +105 - 155mm

ICE TECH SS 150 R290



775 x 625 x 805 mm

CONDENSATION SYSTEM	CODE	CUBE	PRODUCTION (Kg./24h)	FREQUENCY & VOLTAGE (V/Hz/N)	STORAGE (Kg.)	NET WEIGHT (Kg.)	SPEC SHEET
Air	21600U	M	147	230 / 50 / 1	MODULAR	93	
Water	21601	M	150	230 / 50 / 1	MODULAR	93	
Air	21700U	L	147	230 / 50 / 1	MODULAR	93	
Water	21602U	Lo	150	230 / 50 / 1	MODULAR	93	

Packed shipping info: Packed dimensions (LxPxA): 845 x 715 x 990 mm - Weight: 103 Kg - Packed volume: 0,60 m³

ICE TECH SS 400 R290



1321 x 638 x 978 mm

CONDENSATION SYSTEM	CODE	CUBE	PRODUCTION (Kg./24h)	FREQUENCY & VOLTAGE (V/Hz/N)	STORAGE (Kg.)	NET WEIGHT (Kg.)	SPEC SHEET
Air	60001	M	376	230 / 50 / 1	MODULAR	165	
Water	60002	M	374	230 / 50 / 1	MODULAR	165	
Air	60005	M	376	400 / 50 / 3	MODULAR	165	
Water	60008	M	374	400 / 50 / 3	MODULAR	165	
Air	60022	L	376	230 / 50 / 1	MODULAR	165	
Water	60018	L	374	230 / 50 / 1	MODULAR	165	
Air	60017	L	376	400 / 50 / 3	MODULAR	165	
Water	60021	L	374	400 / 50 / 3	MODULAR	165	

Packed shipping info: Packed dimensions (LxPxA): 1410 x 740 x 1115mm - Weight: 191 Kg - Packed volume: 1,16 m³

COMPLEMENTARY



180 x 330 x 320 mm

MODEL	PRODUCTION (Kg./24h)	STORAGE (Kg.)	NET WEIGHT (Kg.)
ICE CRUSHER TR3	3*	1	10