



SS/SK



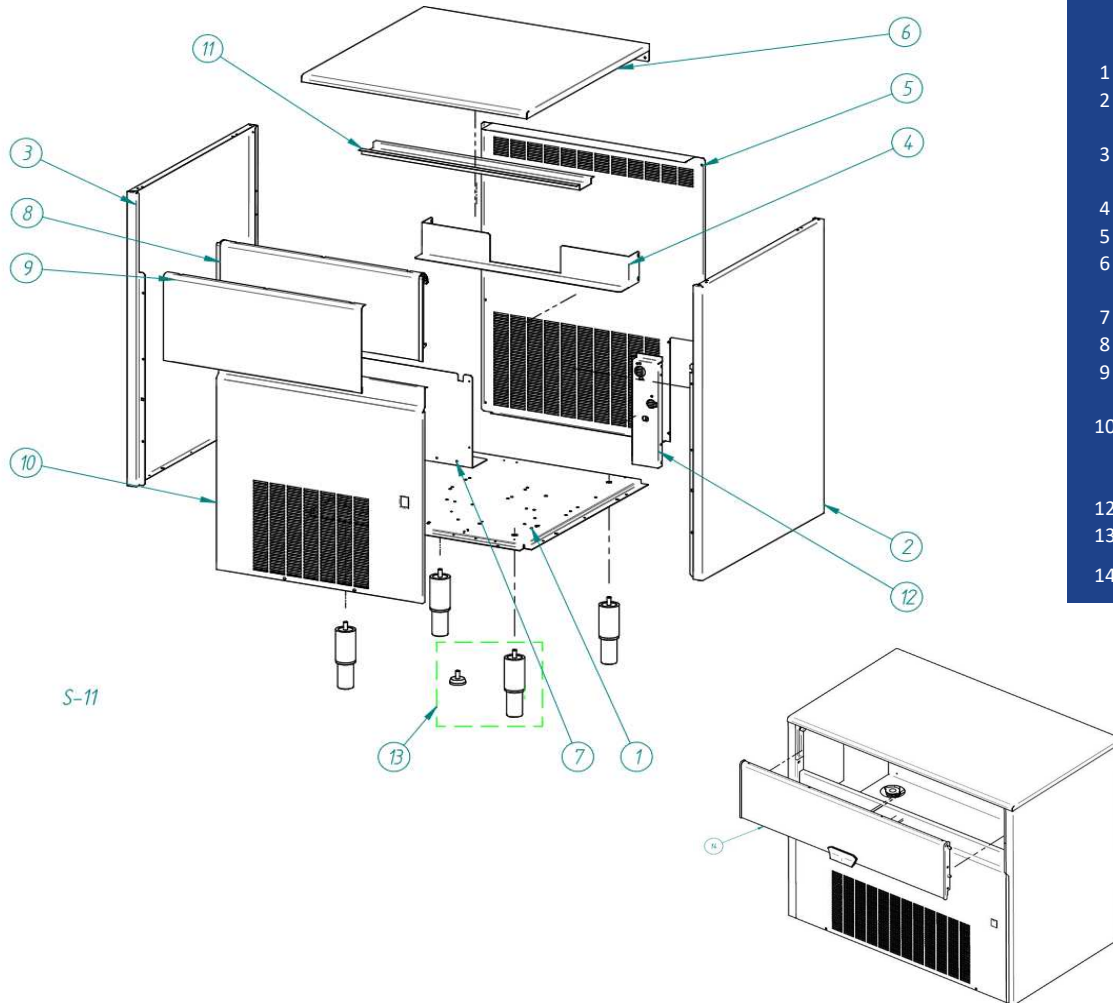
DESPIECE / REPUESTOS
EXPLODED VIEW / SPARE PARTS
EXPLOSIONSZEICHNUNG / ERSATZTEILE
VUE ÉCLATÉE / PIÈCES DÉTACHÉES
ESPLOSO / RICAMBI



CABINET

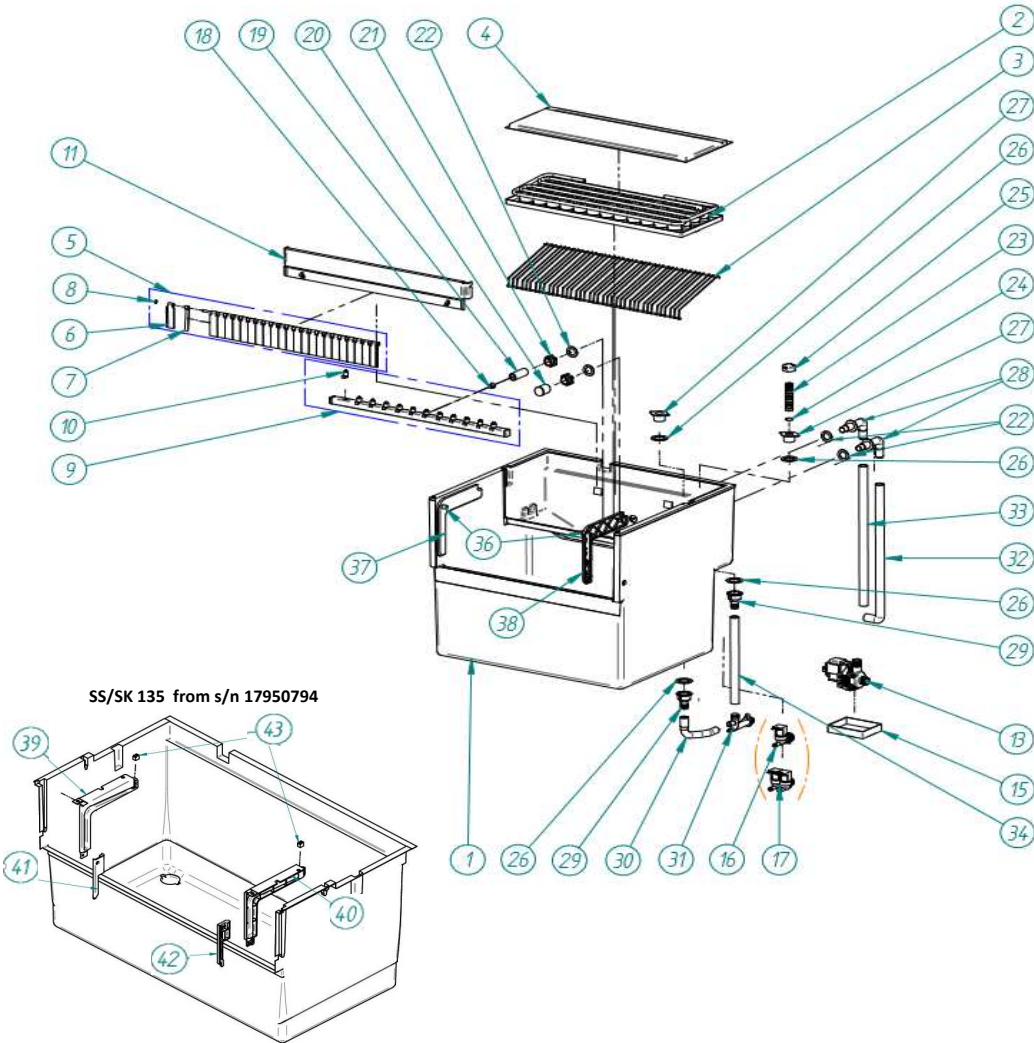


SS/SK



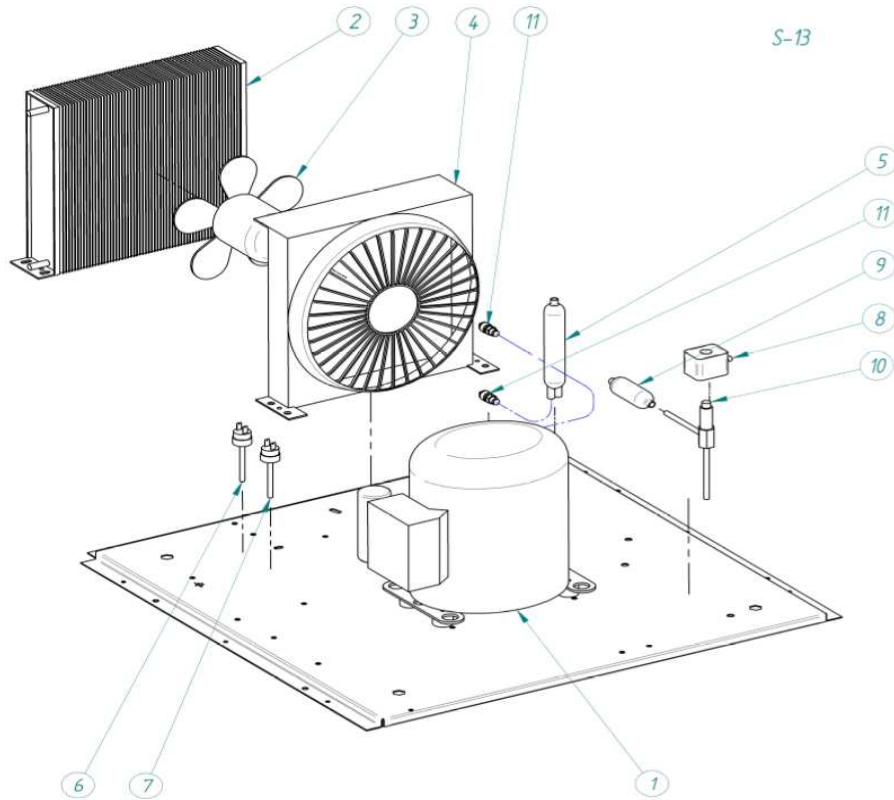
| | NAME | MODEL | | | | |
|----|--------------------------------|--------|--------|--------|--------|--------|
| | | 35 | 45 | 60 | 80 | 135 |
| 1 | BASE | 4101 | 4116 | 4116 | 4143 | 31012 |
| 2 | RIGHT PANEL SS | 4810 | 4812 | 4812 | 4814 | 4816 |
| | RIGHT PANEL SK | 4436 | 4438 | 4438 | 4440 | 4442 |
| 3 | LEFT PANEL SS | 4811 | 4813 | 4813 | 4815 | 4817 |
| | LEFT PANEL SK | 4437 | 4439 | 4439 | 4441 | 4443 |
| 4 | REAR SUPPORT | 4106 | 4122 | 4122 | 4136 | - |
| 5 | REAR PANEL | 4108 | 4124 | 4124 | 4138 | 4460 |
| 6 | TOP PANEL SS | 4818V1 | 4819V1 | 4819V1 | 4820V1 | 4821V1 |
| | TOP PANEL SK | 4444V1 | 4445V1 | 4445V1 | 4446V1 | 4447V1 |
| 7 | FRONT SUPPORT | 4105 | 4121 | - | - | - |
| 8 | DOOR | 4268 | 4269 | 4269 | 4270 | 4271 |
| 9 | TOP PANEL (DOOR) SS | 6418 | 4831 | 4831 | 4832 | 4833 |
| | TOP PANEL (DOOR) SK | 4456 | 4457 | 4457 | - | - |
| 10 | FRONT PANEL AND GRILL SS | 2086 | 2088 | 2088 | 2089 | 6453 |
| | FRONT PANEL AND GRILL SK | 4448 | 4449 | 4449 | 4450 | 4451 |
| | TOP PANEL REINFORCEMENT | 30170 | 30171 | 30171 | 30172 | 4847 |
| 12 | TUBE SUPPORT | 4107 | 4123 | 4123 | 4137 | 4298 |
| 13 | LEGS | 1478 | | | | |
| 14 | SS 135 door since s/n 17950794 | | | | | 31146 |
| | SK 135 door since s/n 17950794 | | | | | 31110 |

BIN & HIDRAULICS PARTS



| NAME | MODEL | | | | |
|---|-------|------|-------|----------------|------|
| | 35 | 45 | 60 | 80 | 135 |
| 1 STOCK BIN | 7460 | 7461 | 7462 | 7498 | |
| EVAPORATOR | | | | | |
| | 30 gr | 7449 | 7450 | 7451 | 7501 |
| | 40 gr | 7435 | 7440 | 7441 | 7469 |
| 3 EJECT CUBE GRILL | 8904 | 8905 | 8906 | 8907 | |
| 4 EVAPORATOR COVER | 4707 | 4708 | 4709 | 4710 | |
| 5 CURTAIN | 8362 | 8363 | 8364 | 5957 | |
| 6 EXTERIOR CURTAIN SLAT | | | 1213 | | |
| 7 INTERIOR CURTAIN SLAT | | | 1212 | | |
| 8 JOINT | | | 107 | | |
| 9 COLLECTOR | 7454 | 7455 | 7456 | 7497 | |
| 10 NOZZLE | | | 526 | | |
| 11 CURTAIN SUPPORT | 8176 | 8177 | 8178 | 4298 | |
| PUMP 220V/50HZ | 4769 | | 8687K | | |
| 13 PUMP 220V/60HZ | 32048 | | 8688K | | |
| PUMP 115V/60HZ | 32049 | | 8689K | | |
| 14 PUMP SUPPORT | | 4613 | | | |
| 15 CONDENSATION TRAY | | 4521 | | | |
| 16 WATER INLET VALVE | 6980 | 7685 | 1673 | 7690 | |
| 17 WATER INLET VALVE water cond. | 1674 | 7691 | 1674 | 1913+4476+4527 | |
| 18 WATER REGULATOR | 805 | - | - | - | |
| 19 TUBE | | 4098 | | | |
| 20 FILTER | | 4505 | | | |
| 21 PLASTIC NUT | | 4502 | | | |
| 22 JOINT | | 4503 | | | |
| 23 OVERFLOW PLASTIC COUPLING | | 4426 | | | |
| 24 OVERFLOW TUBE | | 4496 | | | |
| 25 ELBOW ADAPTER | | 4427 | | | |
| 26 JOINT | | 4755 | | | |
| 27 DRAIN | | 6017 | | | |
| 28 DRAIN ELBOW ADAPTER | | 4501 | | | |
| 29 DRAIN STRIGHT UNION | | 6018 | | | |
| 30 DRAIN COUPLING | | 6021 | | | |
| 31 WATER DISTRIBUTOR | | 363 | | | |
| 32 WATER INLET TUBE | 8829 | 8830 | 8831 | | |
| 33 WATER OUTLET PIPE | 4713 | 4724 | 4727 | | |
| 34 OVERFLOW TUBE | 4714 | 4726 | 4726 | 4729 | |
| 36 CLIP | | 4276 | | | |
| 37 LEFT GUIDE | | 4273 | | | |
| 38 RIGHT GUIDE | | 4272 | | | |
| 39 TOP LEFT GUIDE SS/SK 135 from s/n 17950794 | | | | 30667 | |
| 40 TOP RIGHT GUIDE SS/SK 135 from s/n 17950794 | | | | 30668 | |
| 41 BOTTOM LEFT GUIDE SS/SK 135 from s/n 17950794 | | | | 30669 | |
| 42 BOTTOM RIGHT GUIDE SS/SK 135 from s/n 17950794 | | | | 30670 | |
| 43 DOOR BLOCK SS/SK 135 from s/n 17950794 | | | | 1715 | |

AIR CONDENSER

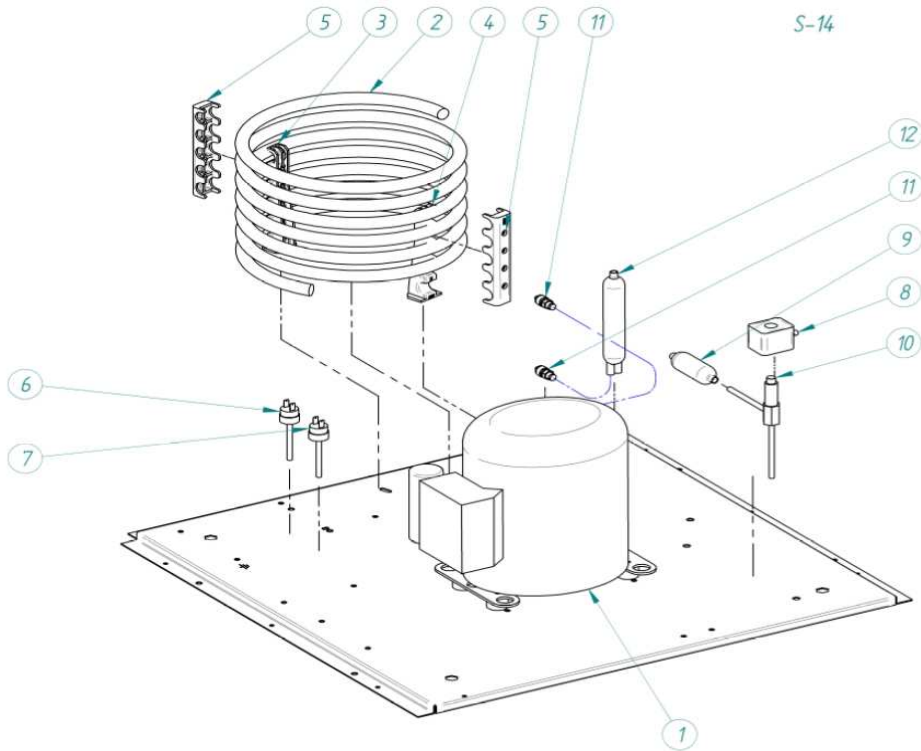


| | NAME | MODEL | | | | |
|----|----------------------------|-----------|---------|----------|-----------|----------|
| | | 35 | 45 | 60 | 80 | 1353 |
| 1 | COMPRESSOR | 6005 | 6515 | | 6007 | 6763 |
| 2 | CONDENSER | 8327 | | 4157 | | 2618 |
| 3 | FAN | 2170+4040 | 28+4887 | 410+1326 | 4230+4495 | 445+4495 |
| 4 | BAFFLE | - | | - | 2435 | - |
| 5 | DRIER | 1717 | | | | |
| 6 | HIGH PRESSURE SWITCH | 334 | | | 2683 | |
| 7 | CONDENSING PRESSURE SWITCH | 7476 | | | | |
| 8 | COIL | 5173 | | | | |
| 9 | FILTER | 448 | | | | |
| 10 | HOT GAS VALVE | 1473 | | | 843 | |
| 11 | INLET VALVE | 335 | | | | |

WATER CONDENSER



SS/SK

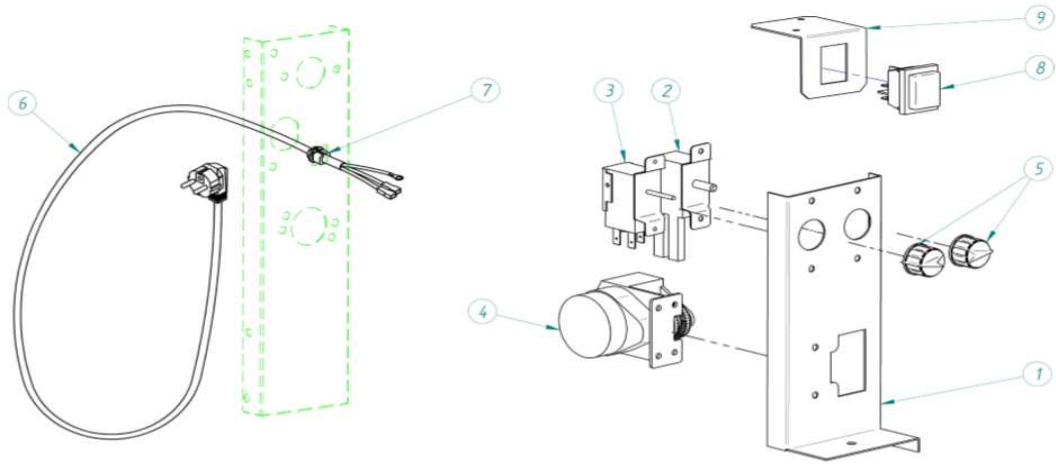


| | NAME | MODEL | | | | |
|----|----------------------------|-------|------|------|------|------|
| | | 35 | 45 | 60 | 80 | 135 |
| 1 | COMPRESSOR | 6005 | 6515 | 6007 | 6763 | |
| 2 | CONDENSER | 5242 | 5243 | 5244 | 5246 | |
| 3 | SUPPORT | | | 4036 | | |
| 4 | SUPPORT | | | 4037 | | |
| 5 | SUPPORT | | | 4038 | | |
| 6 | HIGH PRESSURE SWITCH | | 334 | | | 2683 |
| 7 | CONDENSING PRESSURE SWITCH | | | 7476 | | |
| 8 | COIL | | | 5173 | | |
| 9 | FILTER | | | 448 | | |
| 10 | HOT GAS VALVE | | 1473 | | | 843 |
| 11 | INLET VALVE | | | 335 | | |
| 12 | DRIER | | | 1717 | | |

ELECTRIC BOX



SS/SK



S-15

| | NAME | | | | |
|---|----------------------|----|----|----|-----|
| | 35 | 45 | 60 | 80 | 135 |
| 1 | SUPPORT | | | | |
| 2 | CYCLE THERMOSTAT | | | | |
| 3 | STOCK THERMOSTAT | | | | |
| 4 | TIMER | | | | |
| 5 | THERMOSTAT CONTROL | | | | |
| 6 | ELECTRIC CORD | | | | |
| 7 | WIRING FIXING FLANGE | | | | |
| 8 | SWITCH | | | | |
| 9 | SWITCH SUPPORT | | | | |