

ICE BAGGER

Set up and use instructions

Set up for Bagger Mounting Bracket

1. Remove the ice chute.
2. For left-handed users, install the bagger mounting bracket on the left side, as shown in Figure 1. For right-handed users, attach the bagger cabinet with the supplied machine screws and lock washers. Note: attach the rubber bumper to the same side of the bagger as the mounting bracket, along the lower edge.

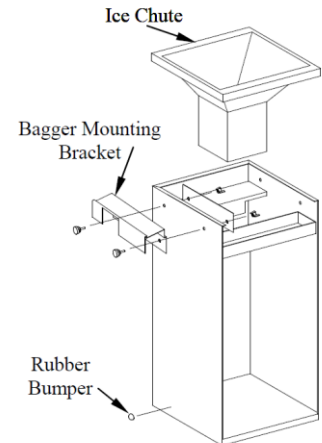


FIGURE 1

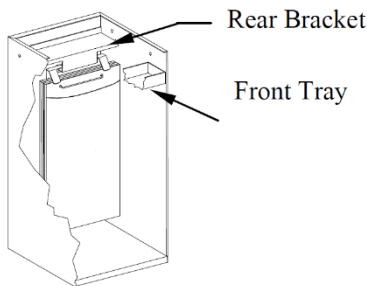


FIGURE 2

Ice Bagger Use

1. Hang the bags on the rear bracket through the rectangle slot in the bag hanger (see Figures 2 and 3).
2. Place supplied twist ties in front tray.
3. Replace the ice chute.
4. Pull open one bag under the ice chute.
5. Fill the bag with ice, ensuring there's enough space to twist and seal it.
6. Remove the bag of ice from the hanger with a firm pull, twist the top, and secure it with a twist tie.

Refill Operation of the Bag Hanger

1. Remove and discard the empty wire wicket from the bag hanger.
2. Lay wicket of new bags down on a flat surface with the ends of the wicket sticking straight up.
3. Slide the bag hanger down onto the wire wicket with the ends of the wire wicket going through the holes in the bag hanger.
4. Tuck the top ends of the bags under the tab on the front of the bag hanger.
5. Keep the bags and hanger flat. With your left hand, compress the wire wicket, bags, and hanger together. While doing this, use your right hand to pull up and bend the ends of the wire wicket over 90° towards the center.
6. Tuck the ends of the bent wire wicket under the tab on the back of the bag hanger.
7. Remove the cardboard from the front of the bags and hang the bags in place.

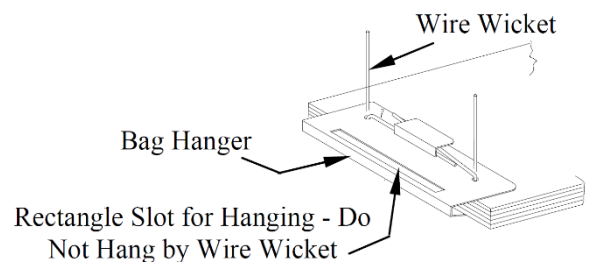


FIGURE 3