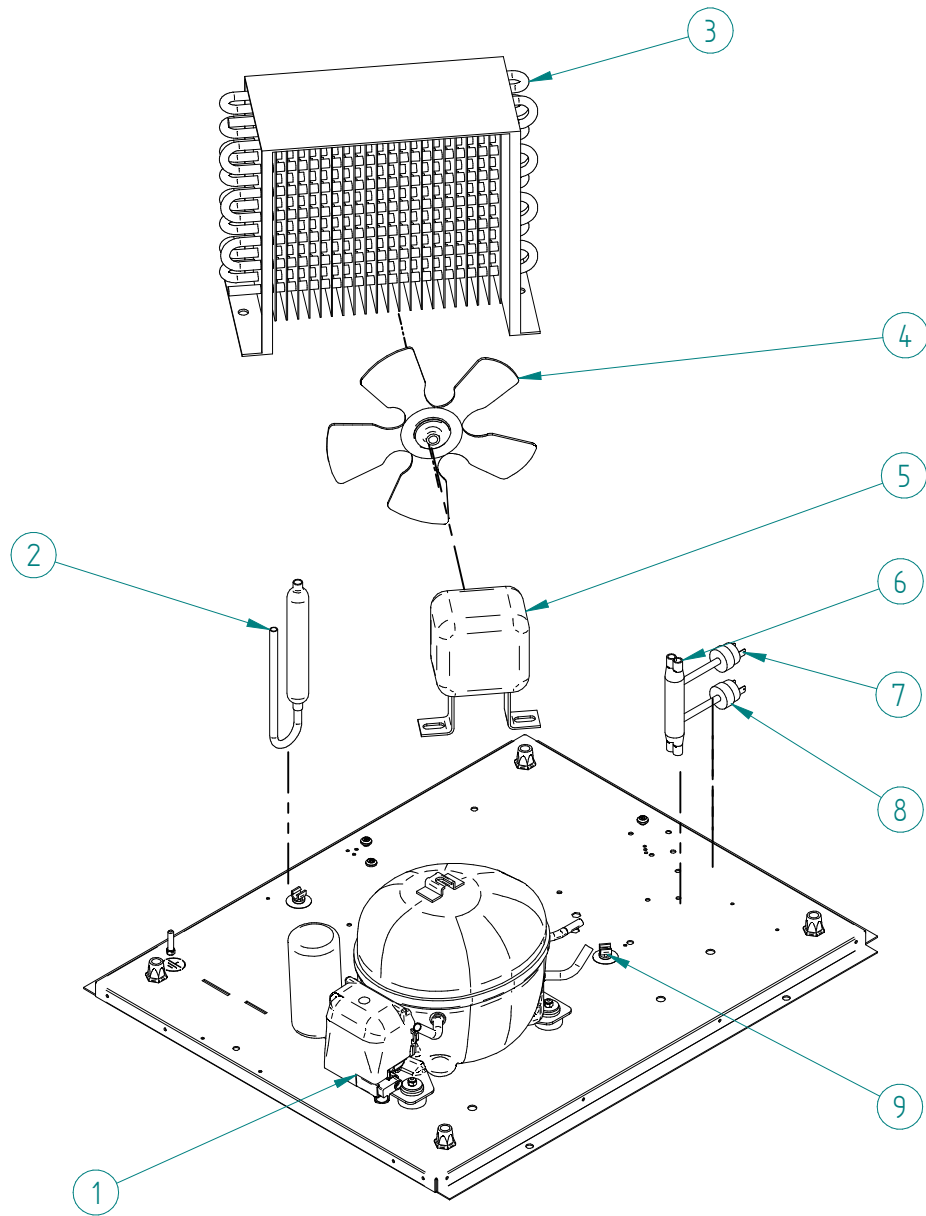
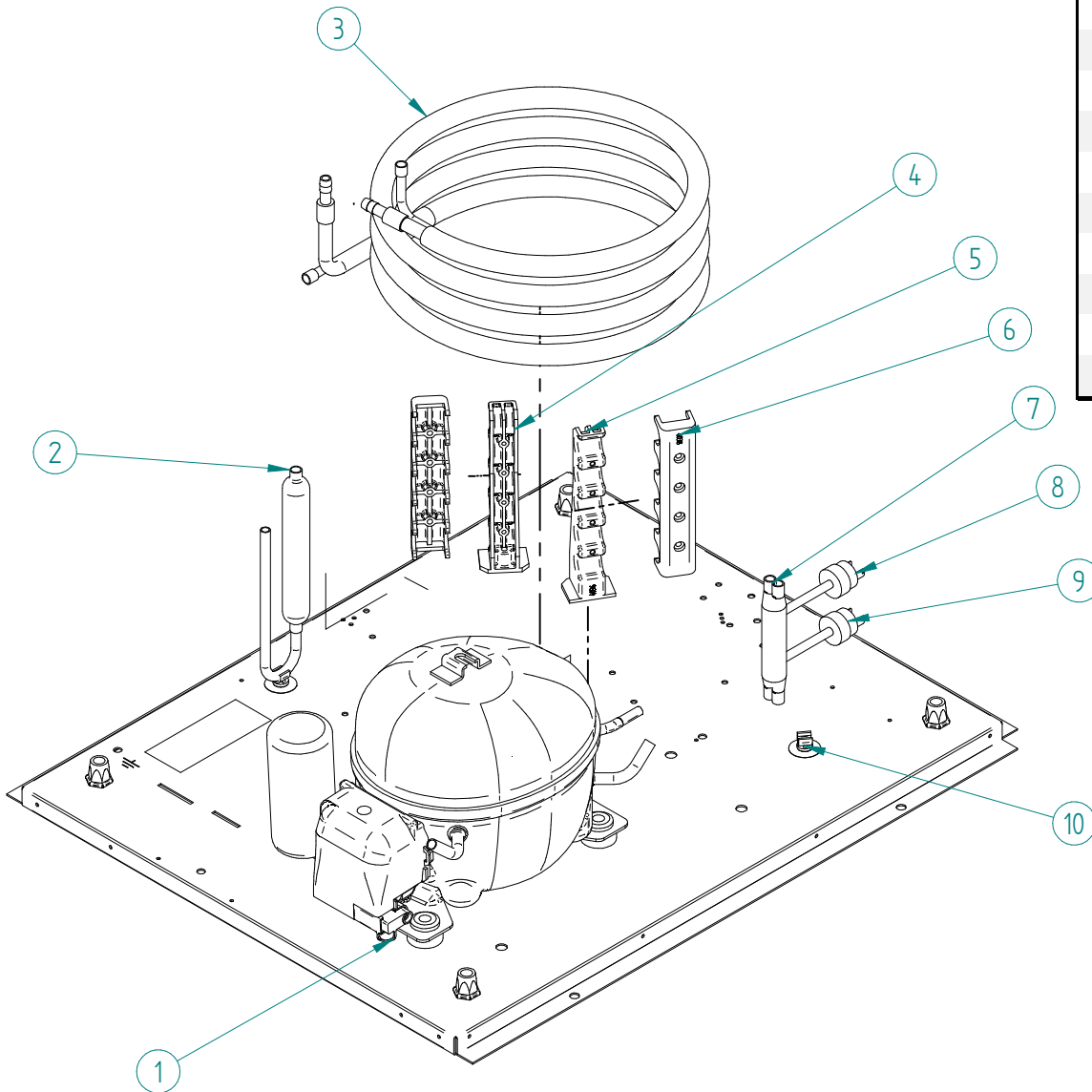




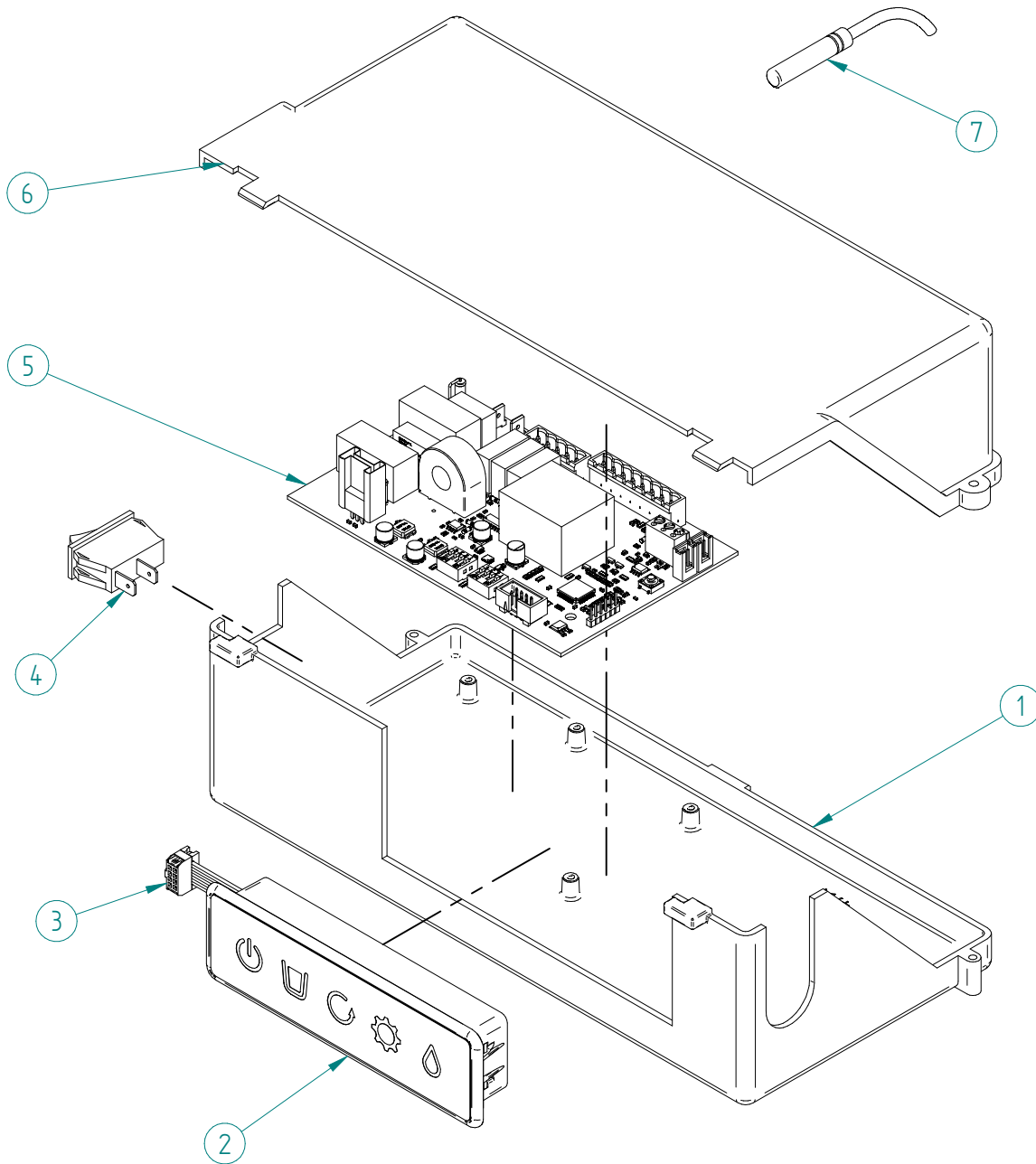
DESPIECE / REPUESTOS
EXPLODED VIEW / SPARE PARTS
EXPLOSIONSZEICHNUNG / ERSATZTEILE
VUE ÉCLATÉÉ / PIÈCES DÉTACHÉES
ESPLOSO / RICAMBI



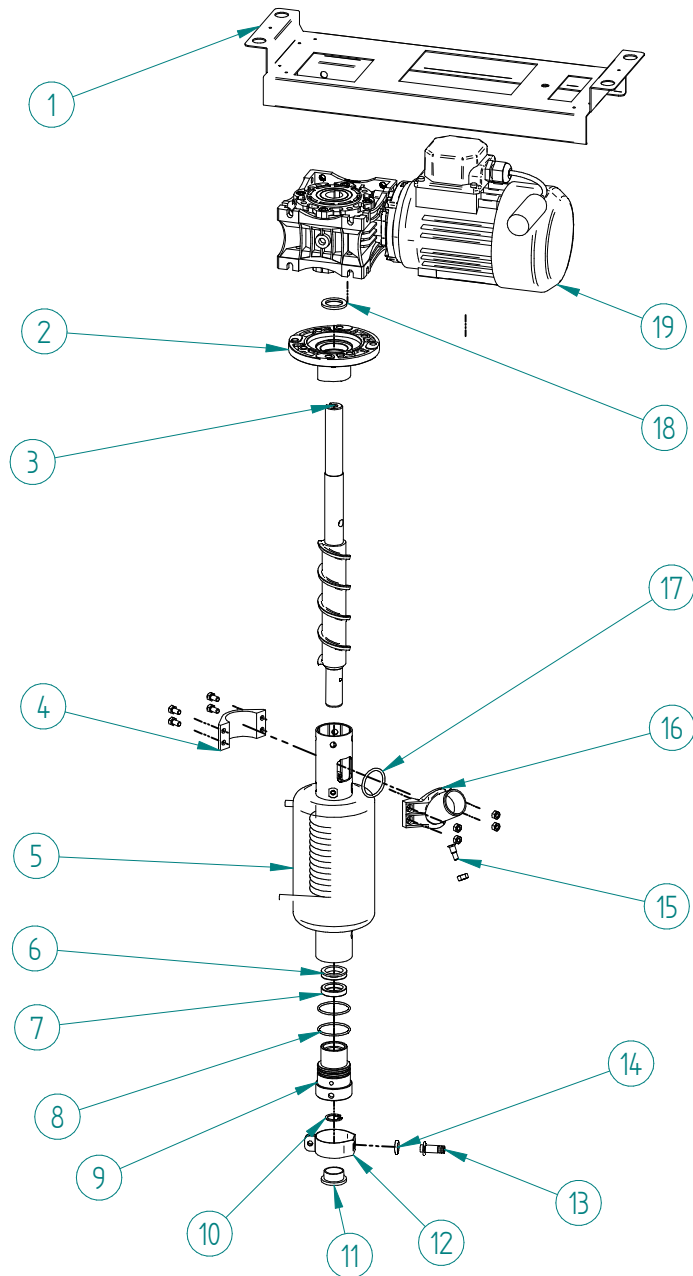
ITEM	DESCRIPTION	55	95	
1	COMPRESSOR	220V/50HZ	31300	31301
		220V/60HZ	32755	32757
		115V/60HZ		32584
2	FILTER DRIER		7896	
3	AIR CONDENSER		491	
4	FAN BLADE	4040	4887	
5	FAN MOTOR	220V/50HZ	2170A	960
6	PRESSURE SWITCH COLLECTOR		31444	
7	FAN CONTROL PRESSURE SWITCH		31160E	
8	HIGH PRESSURE SWITCH		31660E	
9	PLASTIC CLIP 1/4"		3533	



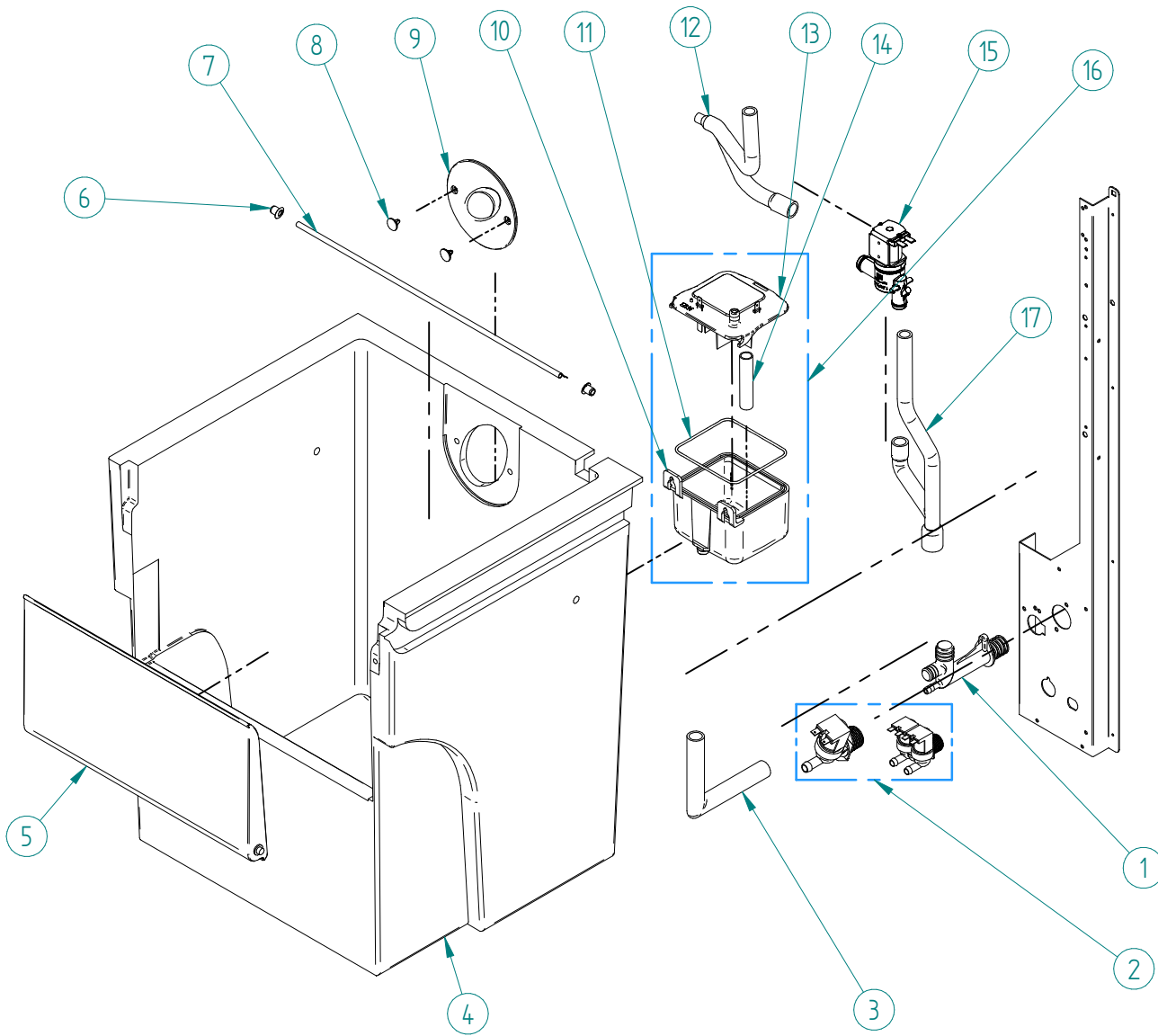
ITEM	DESCRIPTION	55	95	
1	COMPRESSOR	220V/50HZ	31300	31301
		220V/60HZ	32755	32757
		115V/60HZ		32584
2	FILTER DRIER		7896	
3	AIR CONDENSER	5016	5017	
4	WATER CONDENSER LOWER SUPPORT		4037	
5	WATER CONDENSER UPPER SUPPORT		4036	
6	WATER CONDENSER EXTERNAL SUPPORT		4038	
7	PRESSURE SWITCH COLLECTOR		31444	
8	FAN CONTROL PRESSURE SWITCH		31160E	
9	HIGH PRESSURE SWITCH		31660E	
10	PLASTIC CLIP 1/4"		3533	



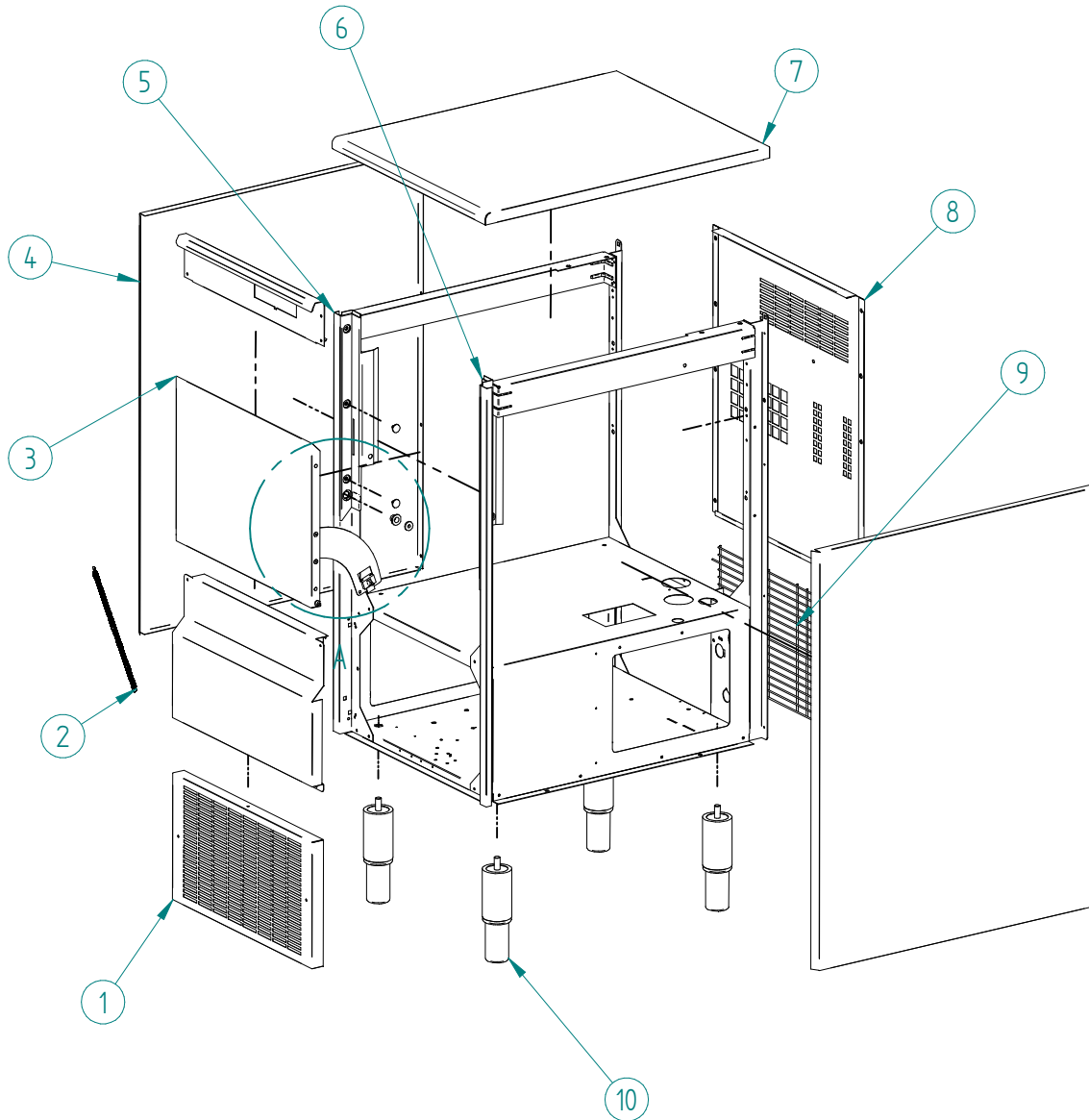
ITEM	DESCRIPTION	55-95
1	ELECTRIC BOX	4791
2	LEDS PANEL	30566B
3	WIRE PANEL	34162
4	ON/OFF SWITCH	2300
5	ELECTRONIC BOARD	33799
6	ELECTRIC BOX COVER	4790
7	ELECTRONIC PROBE	30939A



ITEM	DESCRIPTION	55-95
1	GEAR MOTOR SUPPORT	6044
2	FLANGE/PLATE	109
3	AUGER	115E
4	EVAPORATOR FLANGE	1008
5	EVAPORATOR	7012C
6	V-RING	80
7	DOUBLE SEAL	75
8	O-RING BEARING	86
9	LOWER BEARING	97B
10	INNER RING	1390
11	BEARING CAP	92
12	INLET WATER FLANGE	211
13	INLET WATER	1005
14	INLET WATER O-RING	1006
15	DRAINAGE	785
16	OUTLET ICE TUBE	1007
17	OUTLET ICE O-RING	1391
18	SPACER	6072
19	GEAR MOTOR	220V/50HZ 6486
20	EVAPORATOR ASSEMBLY (From 3 to 17)	6037C



ITEM	DESCRIPTION	55-95
1	DRAIN FITTING	363
2	INLET WATER VALVE	220/50 A 220/50 W 1673 1674
3	DRAIN TUBE	33766
4	BIN	7380
5	DOOR SUPPORT	1123
6	THERMOSTAT JOINT	666
7	THERMOSTAT TUBE	5219
8	CLIP	113
9	OUTLET ICE TUBE	1053
10	WATER BIN	34122
11	O-RING	34150
12	INLET EVAPORATOR TUBE	34082
13	COVER WITH ELECTRODES	34123
14	OVERFLOW TUBE	2050
15	DRAIN VALVE	220/50 33550
16	WATER BIN ASSEMBLY	34552
17	OUTLET EVAPORATOR TUBE	34083



ITEM	DESCRIPTION	55-95
1	FRONT LOUVER	4400
2	DOOR SPRING	702
3	DOOR ASSEMBLY	5030
4	BOTH SIDE PANEL	489UA
5	LEFT DOOR GUARD	83
6	RIGHT DOOR GUARD	82
7	TOP PANEL	920A
8	REAR COVER	635A
9	REAR GRILL	1728
10	LEG	1478
11	DOOR AXE BEARING	1001
12	DOOR AXE BUSHING	155
13	CLIP	113
14	DOOR BUMPER	156
15	DOOR SCREW	392

