



CD 55-90



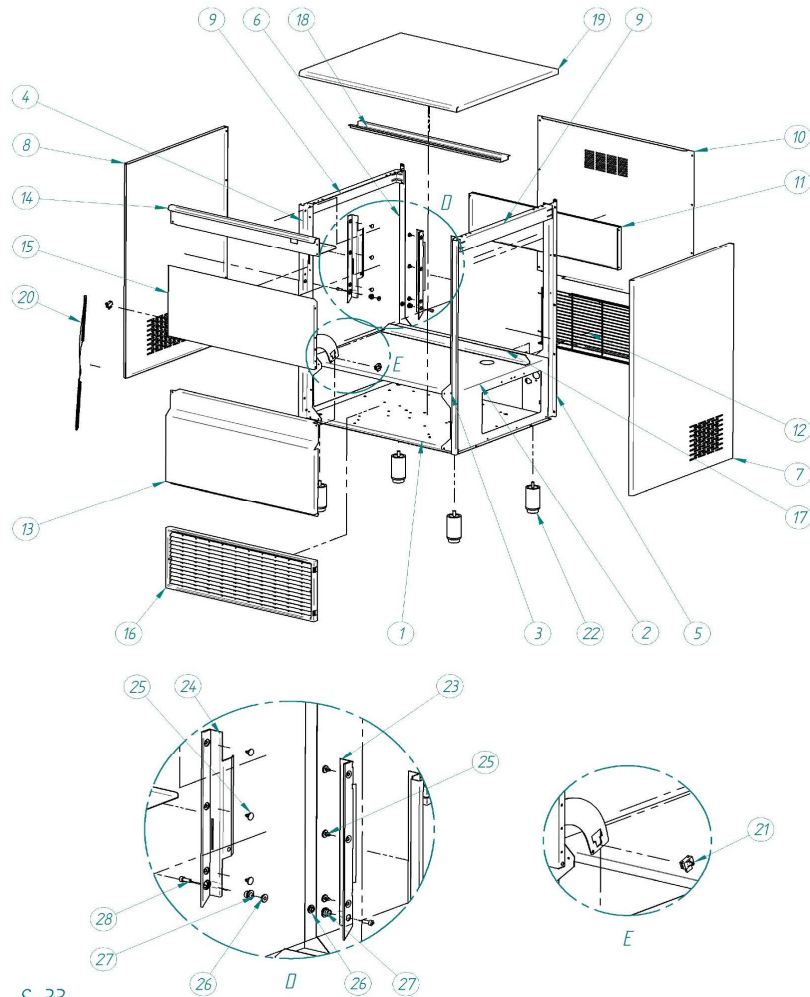
DESPIECE / REPUESTOS
EXPLODED VIEW / SPARE PARTS
EXPLOSIONSZEICHNUNG / ERSATZTEILE
VUE ÉCLATÉÉ / PIÈCES DÉTACHÉES
ESPLOSO / RICAMBI



CABINET

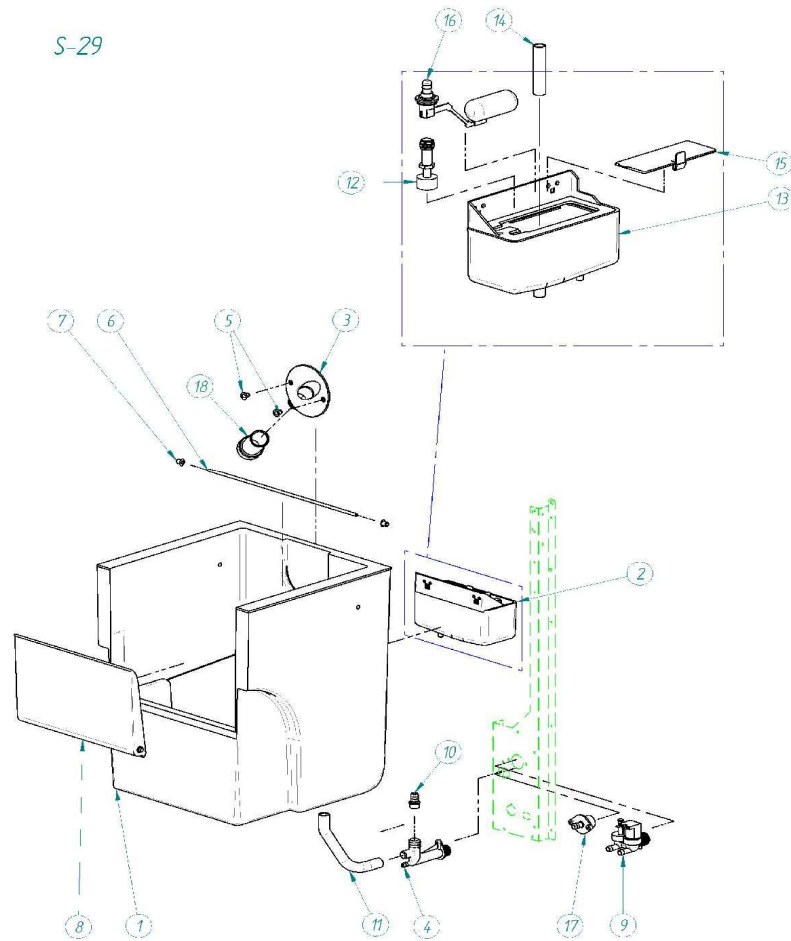


CD 55-90

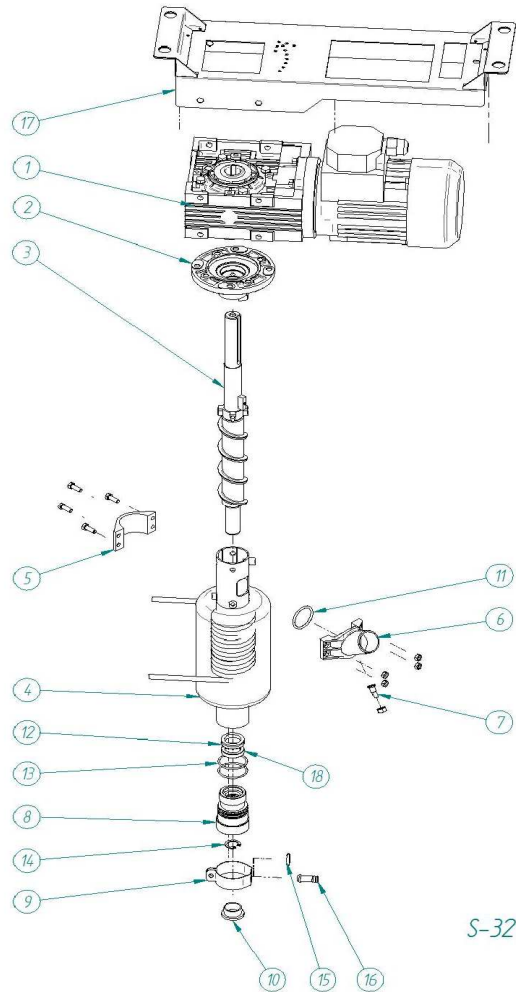


S-33

NAME		
1	BASEMENT	808
2	BRIDGE	506
3	FRONT RIGHT COLUMN	159
4	FRONT LEFT COLUMN	160
5	REAR RIGHT COLUMN	207
6	REAR LEFT COLUMN	161
7	RIGHT PANEL	489
8	LEFT PANEL	490
9	BRACE	4840
9	BRACE	4841
10	REAR COVER	635
11	REAR REINFORCEMENT	588
12	REAR GRILL	1728
13	LOWER FRONT PANEL	418
14	UPPER FRONT PANEL	464
15	DOOR	5030
16	FRONT GRILL	4063
17	BRIDGE ANGLE	1689
18	COVER REINFORCEMENT	6388
19	TOP COVER	920
20	DOOR SPRING	702
21	DOOR BUMPER	156
22	LEG	1478
23	RIGHT DOOR GUARD	82
24	LEFT DOOR GUARD	83
25	CLIP	113
26	DOOR AXE BUSH	155
27	DOOR AXE BEARING	1001
28	DOOR SCREW	392

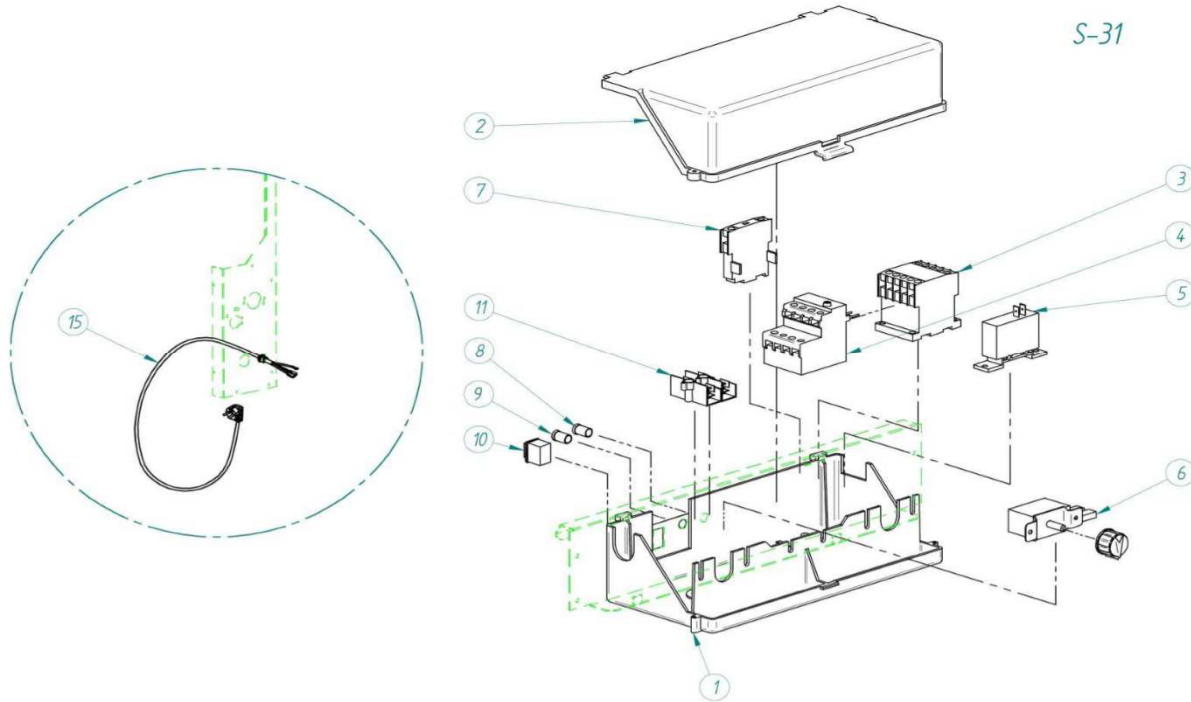


NAME		
1	STOCK BIN	720
2	WATER BIN	32012
3	ICE EXIT	6035
4	DRAIN	363
5	SCREW	113
6	THERMOSTAT CUBE	5219
7	JOINT	666
8	SWING DOOR	1123
9	WATER INLET VALVE	1910
	115/60HZ	4896
10	WATER INLET VALVE	1005
11	WATER TUBE	1907
12	UPPER LEVEL HEAD	5423
13	WATER BIN	32053
14	TUBE	2505
15	TOP COVER	1968
16	WATER FLOAT	5340
17	WATER INLET	1689

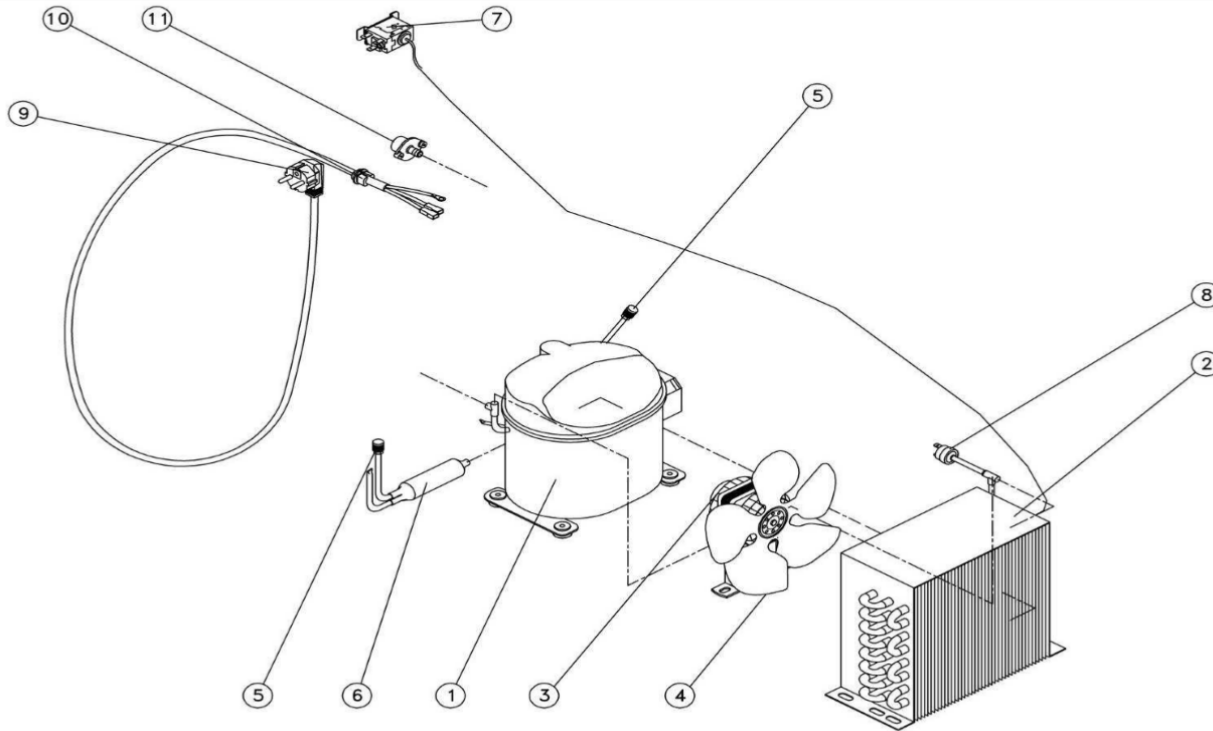


S-32

		NAME	
1	GEAR MOTOR		
	Until serial number 2983092	220V/50Hz	7887
	From serial number 1112041	220V/50Hz	6486
		115/60HZ	6431
2	BRIDE/PLATE		109
3	AUGER		115
4	EVAPORATOR		7012
5	EVAP OPENING FLANGE		1008
6	EVAP OPENING		1007
7	DRAIN		785
8	LOWER BEARING		97
9	WATER ENTRY		211
10	STOPPER		92
11	JOINT		1391
12	V-RING		80
13	JOINT		86 X 2
14	RING		1390
15	JOINT		1006
16	WATER INLET		1005
17	MOTOR SUPPORT		4839
18	RETAINING RING		75
*	SET EVAPORATOR: from 2 to 16		6037
*	AUGER UPPER METALLIC WASHER		6072



NAME		
1	ELECTRIC BOARD	4791
2	COVER	4790
3	CONTACTOR	220V/50HZ
		115V/60HZ
4	RELAY	220V/50HZ
		115V/60HZ
5	TIMER	2471
6	STOCK THERMOSTAT	274
7	AUX CONTACT	1004
8	RED LED	788
9	LED	787
10	SWITCH	2300
11	CONNECTOR	PLUG
		220V/50HZ
		208-230V/60HZ
12	PLUG	115V/60HZ
		408
		3675
		2771

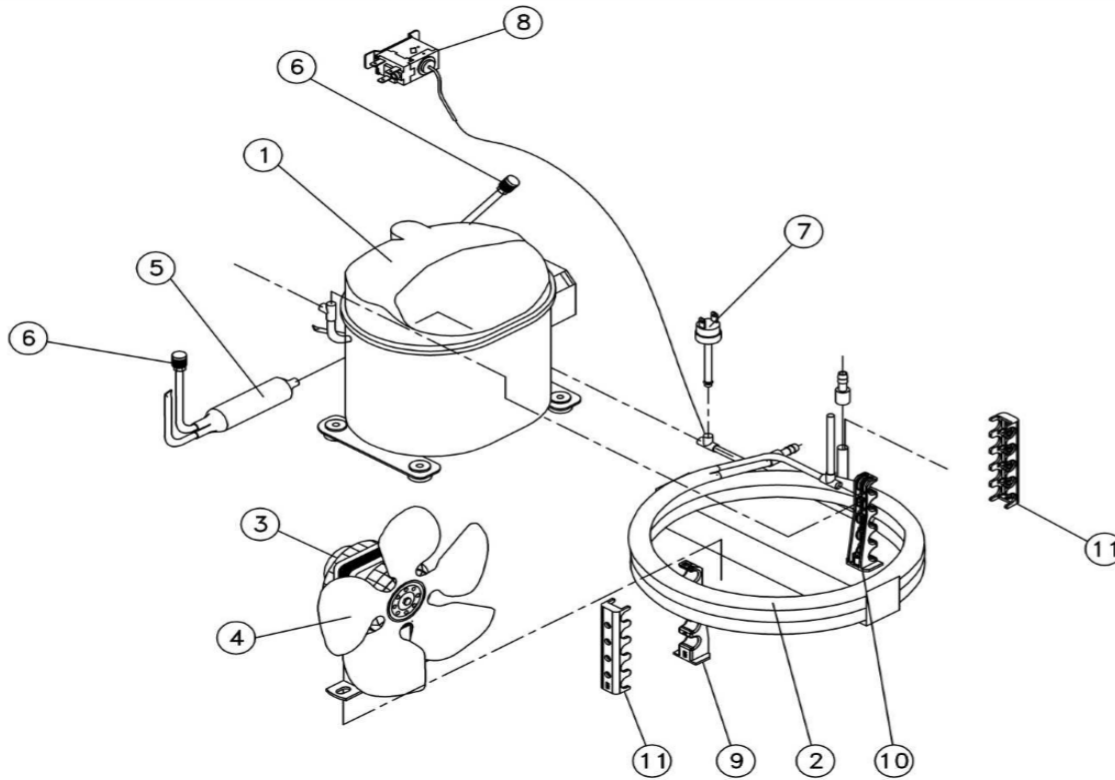


NAME		CD 55	CD 90
1	COMPRESSOR	220V/50HZ	8434
		115V/60HZ	2801
2	AIR CONDENSER		491
3	FAN	220V/50HZ	2170
		115V/60HZ	-
4	FAN BLADE		587
5	CHARGE VALVE		335
6	FILTER	449	1717
7	CONDENSING PRESSURE SWITCH	7476E	2507
8	HIGH PRESSURE SWITCH		334
9	PLUG		408
10	RETAINER		4907
11	WATER INLET VALVE		1689

WATER CONDENSER UNIT



CD 55-90



NAME		CD 55	CD 90
1	COMPRESSOR	220V/50HZ	8434
		115V/60HZ	8435
2	WATER CONDENSER	5224	5242
3	FAN	220V/50HZ	444
		115V/60HZ	2164
4	FAN BLADE	587	4040
5	CHARGE VALVE		335
6	FILTER	449	1717
7	HIGH PRESSURE SWITCH		334
8	CONDENSING PRESSURE SWITCH	7476E	2507
9	TOP SUPPORT		4036
10	LOW SUPPORT		4037
11	EXTERIOR SUPPORT		4038