

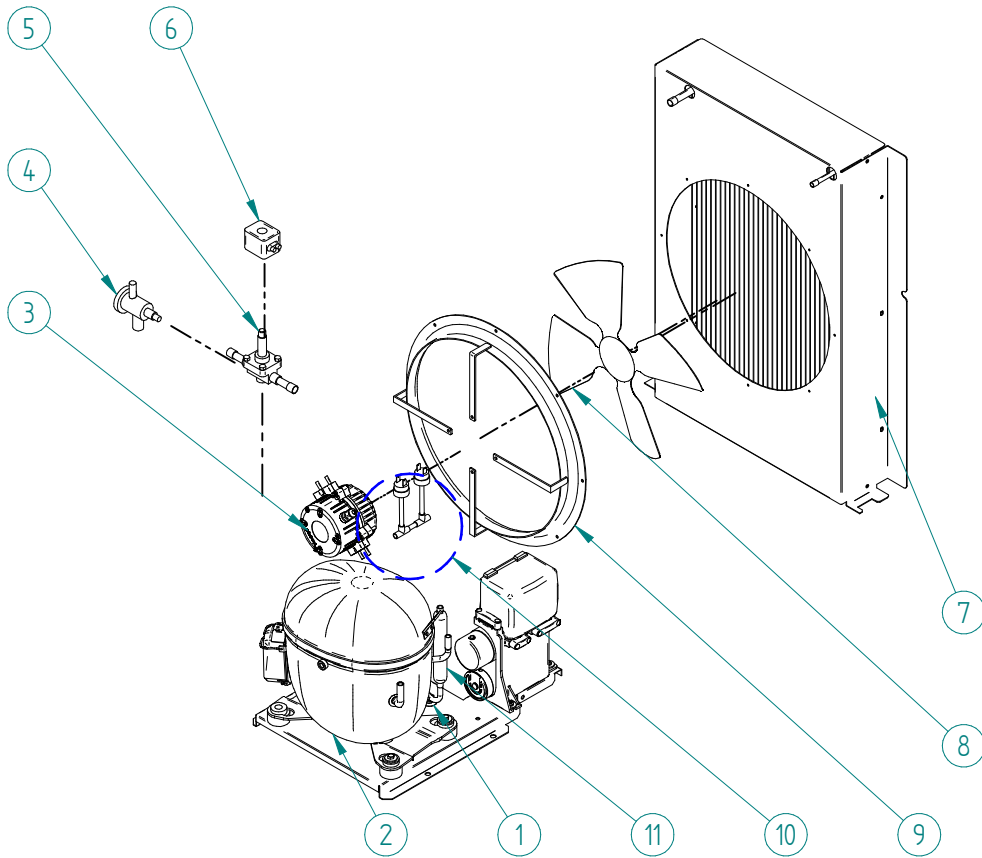


DESPIECE / REPUESTOS  
EXPLODED VIEW / SPARE PARTS  
EXPLOSIONSZEICHNUNG / ERSATZTEILE  
VUE ÉCLATÉÉ / PIÈCES DÉTACHÉES  
ESPLOSO / RICAMBI

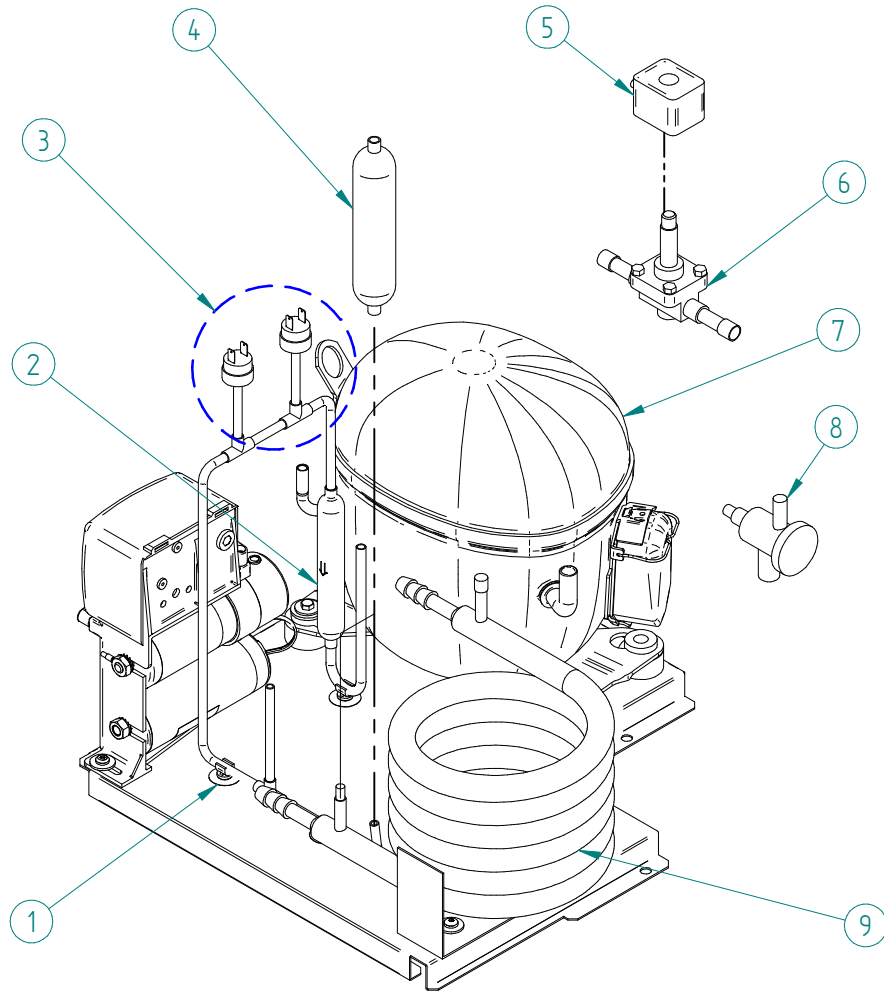
# AIR CONDENSER UNIT



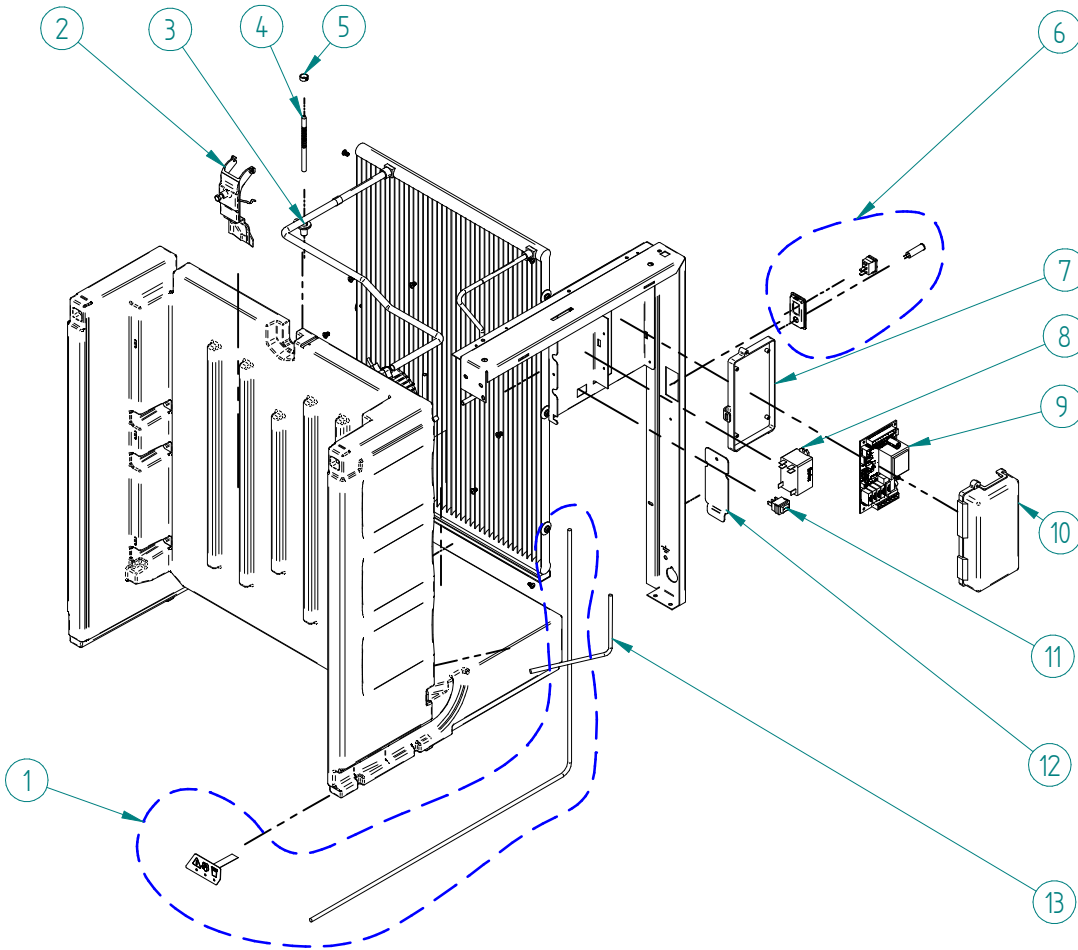
FD/HD 215/315 (22")



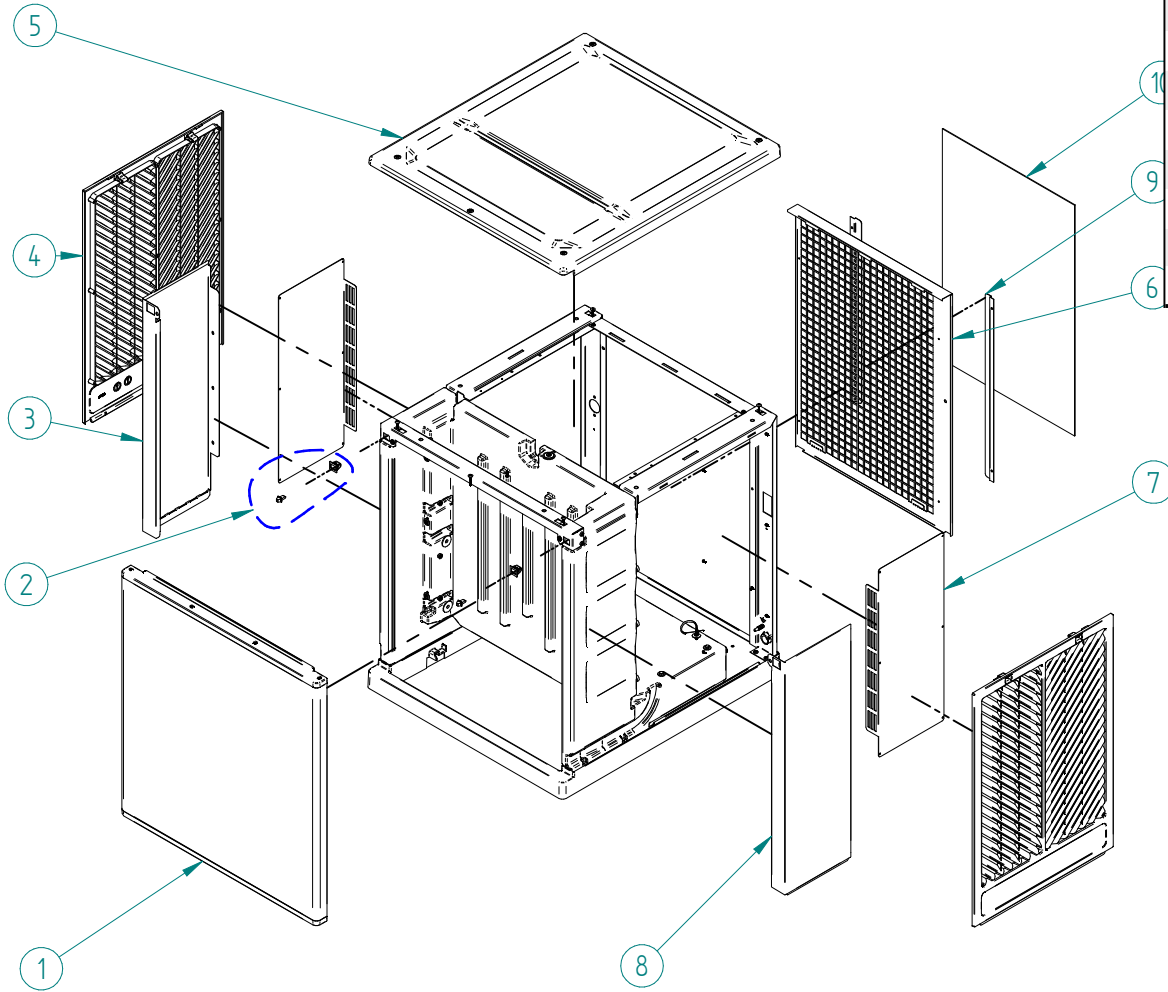
ITEM	DESCRIPTION	FD/HD 22"		
		215	315	
1	PLASTIC CLIP 1/4"	3533		
2	COMPRESSOR	220V/50HZ	33115	32764
		220V/60HZ	32762	34965
3	FAN MOTOR	35515		
4	EXPANSION VALVE	31524		
5	HOT GAS VALVE - BODY	6396	31014	
6	HOT GAS VALVE - COIL	220V/50-60HZ	5173	30028
7	AIR CONDENSER	32836	34202	
8	FAN BLADE	220V/50-60HZ	6398	
9	FAN SUPPORT	6501	32653	
10	PRESSURE SWITCHES	31160EK		
11	DRIER FILTER	7896		



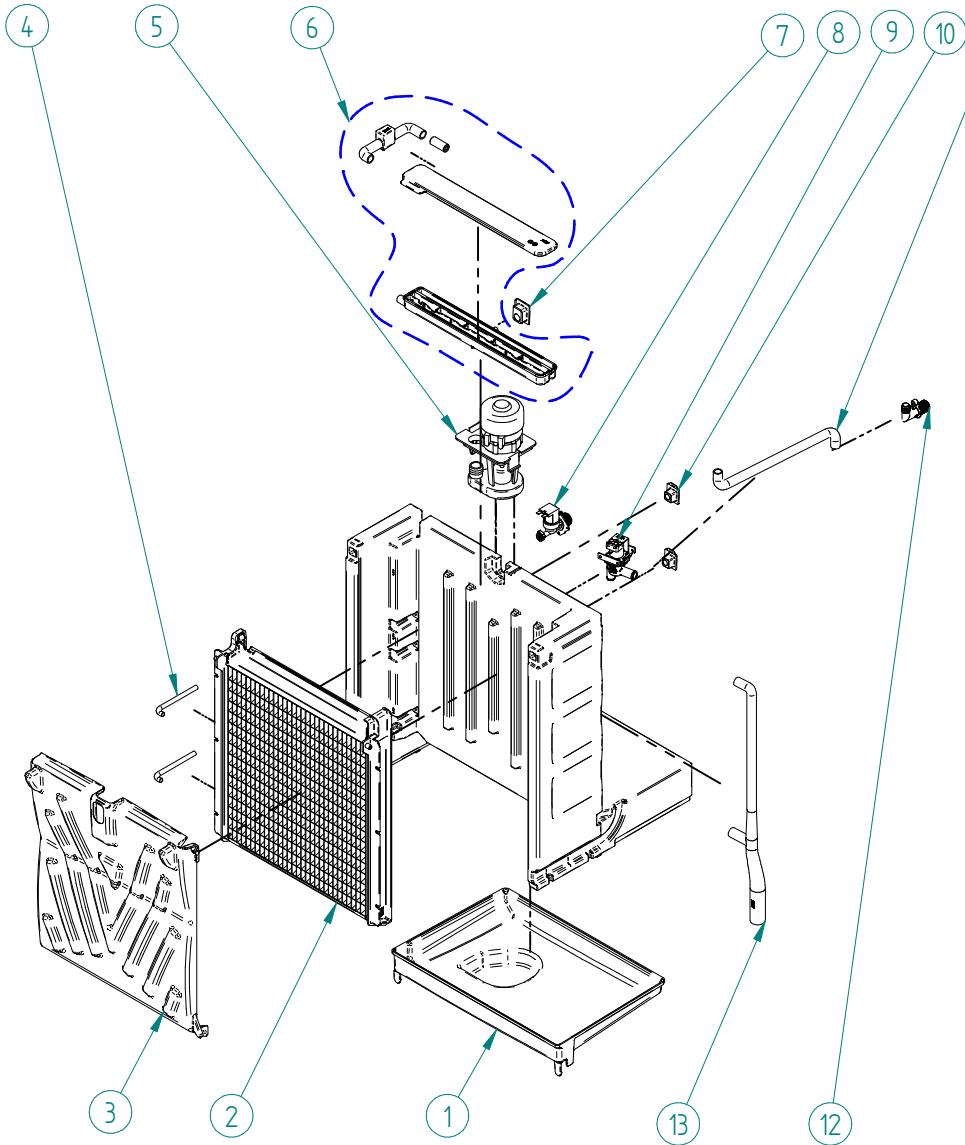
ITEM	DESCRIPCION	FD/HD 22"
		315
1	CLIP 1/4"	3533
2	DRIER FILTER	7896
3	PRESSURE SWITCHES	31160EK
4	SEP PARTICLES	1570
5	HOT GAS VALVE - BODY	30028
6	HOT GAS VALVE - COIL	31014
7	COMPRESSOR	32764
8	EXPANSION VALVE	31524
9	CONDENSATOR	33671



ITEM	DESCRIPTION	FD/HD 22"	
		215	315
1	DISPLAY	34577K	
2	THICKNESS ICE BLOCK SENSOR	30894B	
3	SUPPORT WATER LEVEL SENSOR	8670	
4	ISOLATED WATER LEVEL SENSOR	30982	
5	COMPRESSION RING	504	
6	MAIN SWITCH	32416K	
7	ELECTRIC BOX	2181	
8	RELAY FINDER	220V/50-60HZ	32502
9	ELECTRONIC BOARD	220V/50-60HZ	34642
10	ELECTRIC BOX COVER	30861	
11	SWITCH (ICE-STANDBY-WASH)	6161	
12	JUNCTION BOX COVER	N/A	
13	CURTAIN SENSOR	6521A	



ITEM	DESCRIPTION	FD/HD 22"	
		215	315
1	FRONT PANEL	30749	
2	PANEL CLIPS	6181K	
3	LEFT PANEL	30748	
4	SIDE LOUVER	30424	
5	TOP PANEL	30423	
6	REAR PANEL	30746	30746U
7	WIRE PROTECTION GRILL	30908	
8	RIGHT PANEL	30747	
9	AIR FILTER GUIDE	35328	
10	AIR FILTER	35448	



ITEM	DESCRIPTION	FD/HD 22"	
		215	315
1	WATER BIN	30413	
2	EVAPORATOR FULL DICE ASSY	31947A	30907
	EVAPORATOR HALF DICE ASSY	31933A	30752
3	CURTAIN	32252K	30420K
4	PIPE	30690	
5	WATER PUMP	220V/50-60HZ	6509
6	WATER DISTRIBUTOR	Restrictor Ø7	30784K
		Restrictor Ø9	31246K
7	WATER DISTRIBUTOR PROTECTOR	30682	
8	INLET WATER VALVE	220V/50-60HZ	6980
9	WATER DRAIN VALVE	220V/50-60HZ	6183
10	PIPE PROTECTION	30683	
11	DRAIN TUBE	220V/50-60HZ	30468A
12	DRAIN FITTING	220V/50-60HZ	30850
13	LOWER WATER PUMP DISCHARGE TUBE	30469	