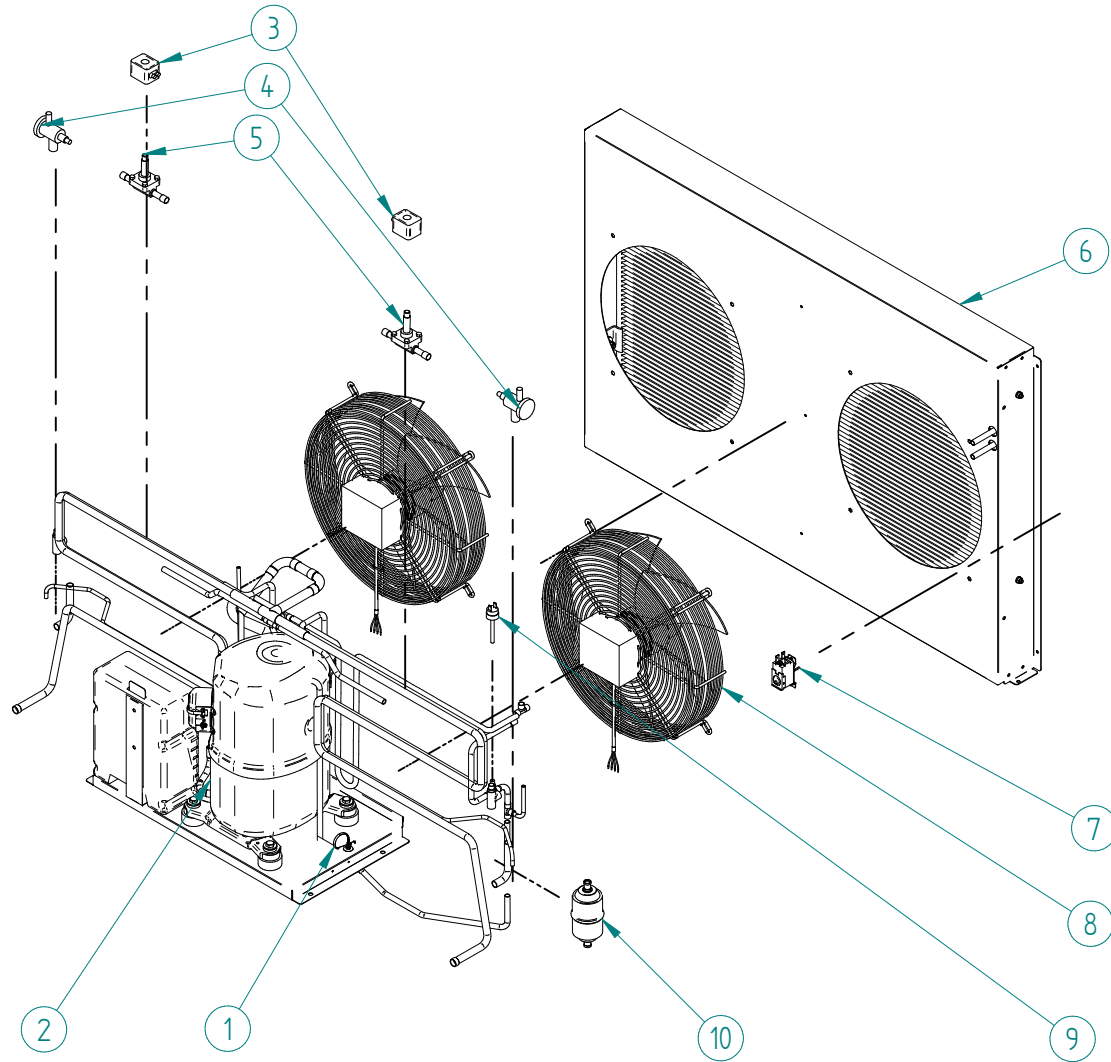
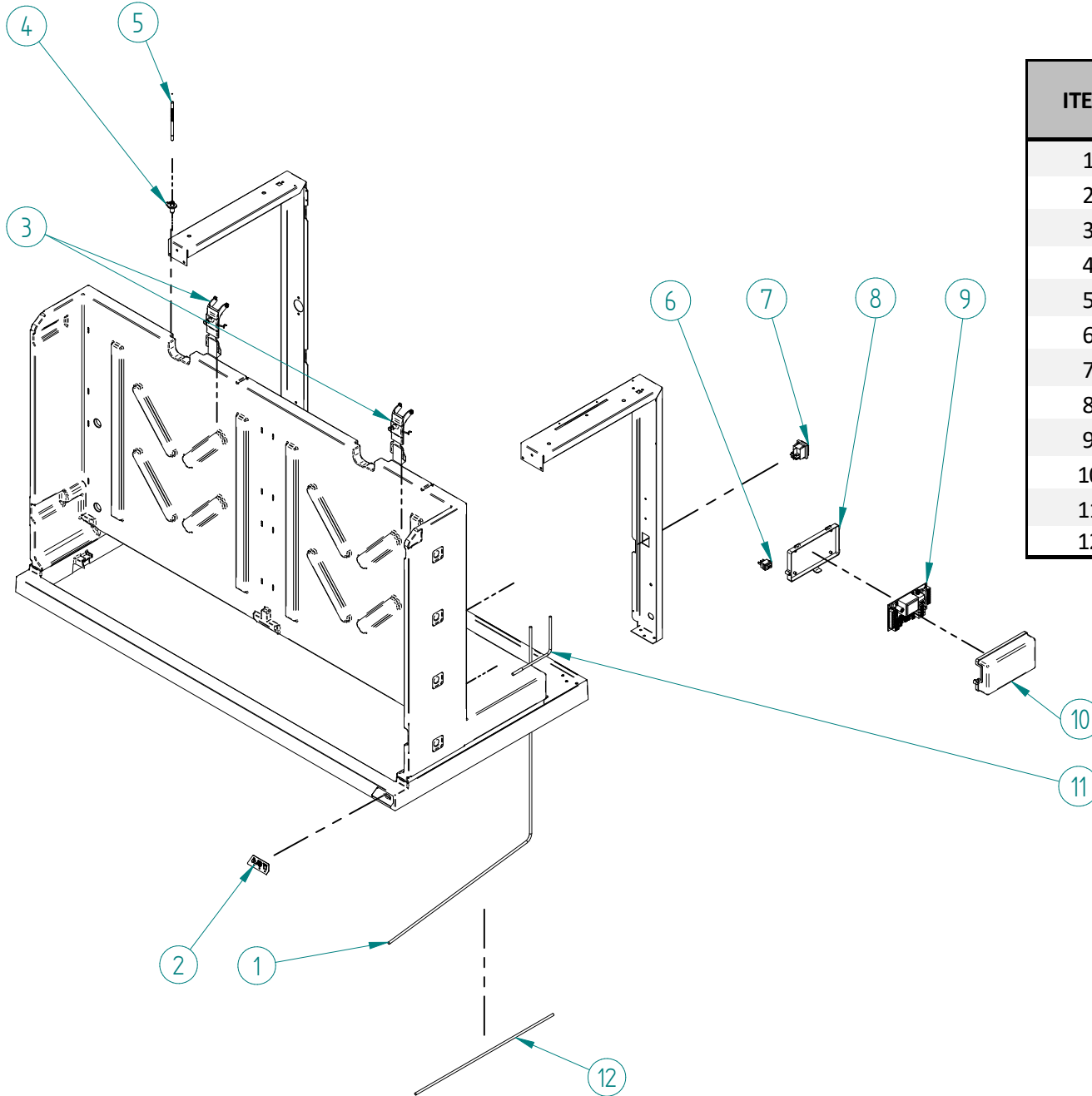




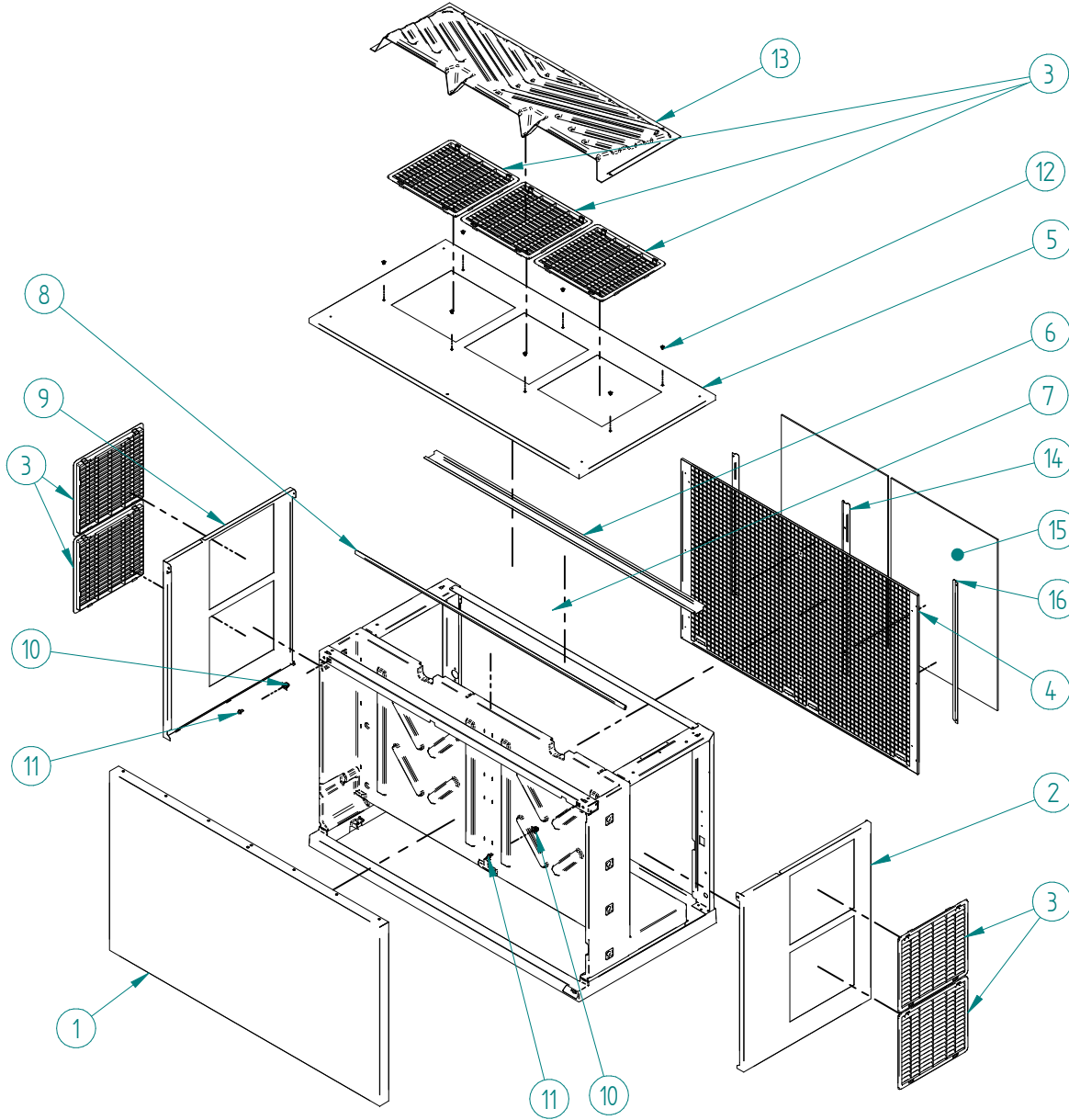
DESPIECE / REPUESTOS
EXPLODED VIEW / SPARE PARTS
EXPLOSIONSZEICHNUNG / ERSATZTEILE
VUE ÉCLATÉE / PIÈCES DÉTACHÉES
ESPLOSO / RICAMBI



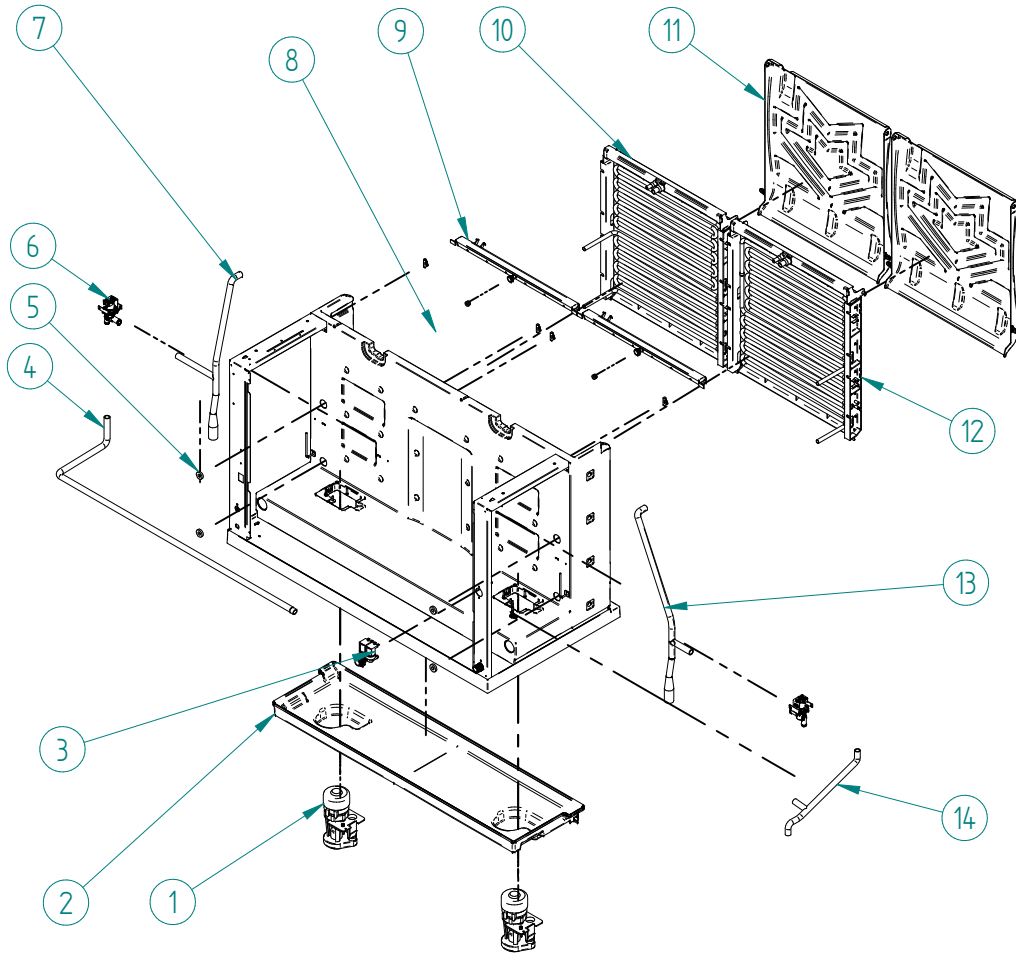
ITEM	DESCRIPTION	48"
		815
1	PLASTIC CLIP 1/4"	4906
2	COMPRESSOR 220V/50HZ	33945
3	HOT GAS VALVE - COIL	547
4	EXPANSION VALVE	34995
5	HOT GAS VALVE - BODY	843
6	AIR CONDENSER	33991
7	FAN CONTROL PRESSURE SWITCH	424
8	FAN	3332
9	PRESSURE SWITCH COLLECTOR	334
10	DRIER FILTER	3064B



ITEM	DESCRIPTION	48"
		815
1	WIRE DISPLAY	34557
2	DISPLAY	34558
3	THICKNESS ICE BLOCK SENSOR	6334B
4	SUPPORT WATER LEVEL SENSOR	8670
5	ISOLATED WATER LEVEL SENSOR	30982
6	SWITCH (ICE-STANDBY-WASH)	6161
7	MAIN SWITCH	31496
8	ELECTRIC BOX	2181
9	ELECTRONIC BOARD 220V-50/60HZ	34642
10	ELECTRIC BOX COVER	30861
11	CURTAIN SENSOR	6521A
12	O-RING	34695K



ITEM	DESCRIPTION	48"
		MS 1800
1	FRONT PANEL	34149
2	RIGHT PANEL	6327
3	SIDE LOUVER	6084
4	REAR PANEL	33388
5	TOP PANEL	34151
6	TOP PANEL OMEGA	34152
7	SUPPORT COVER CROSS SECTION	34677
8	KIT COVER CROSS SECTION	30753K
9	LEFT PANEL	33387
10	FEMALE PANEL CLIP	6180
11	MALE PANEL CLIP	6181
12	PLASTIC NUT	2347
13	AIREATION RAMP	34618
14	AIR FILTER GUIDE	35333
15	AIR FILTER	35449
16	AIR FILTER GUIDE	35331



ITEM	DESCRIPTION	48"
		815
1	WATER PUMP 230V-50/60HZ	6509
2	WATER BIN	34506A
3	WATER INLET VALVE B 220V/50-60HZ	6981
4	TUBE 15-20-1250MM	34773
5	SILICONE GASKET	34651
6	WATER VALVE	6183
7	RIGHT WATER PUMP DISCHARGE TUBE	34798
8	WATER FLOW RESTRICTOR 7MM	30039G
9	WATER FLOW RESTRICTOR 9MM	34882G
9	DISTRIBUTOR	3456A
10	RIGHT EVAPORATOR FULL DICE ASSY	34656
10	RIGHT EVAPORATOR HALF DICE ASSY	34365A
11	CURTAIN	6080AK
12	LEFT EVAPORATOR FULL DICE ASSY	34657
12	LEFT EVAPORATOR HALF DICE ASSY	34370A
13	LEFT WATER PUMP DISCHARGE TUBE	34807
14	DRAIN TUBE	34830