



FD/HD 50



FD/HD 70



FD/HD 100



FD/HD 150



FD/HD 215



FD/HD 315 SLIM



FD/HD 415



FD/HD DISPENSER



FD/HD SLIM DISPENSER

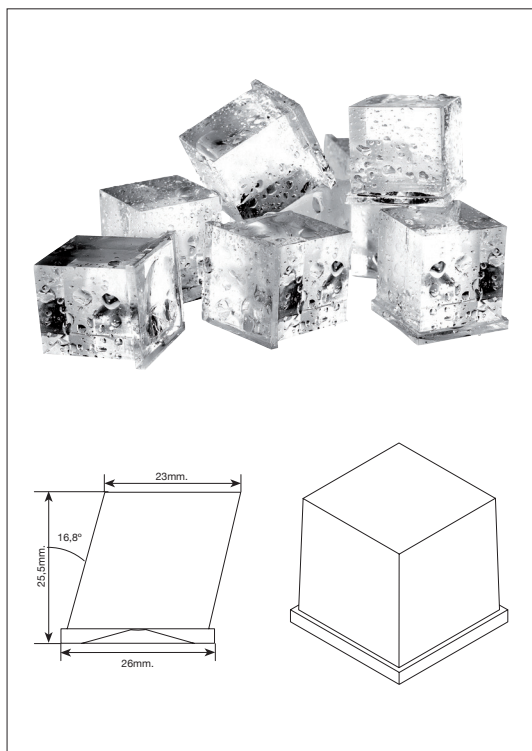
## General features

- › A small cube for heavy duty applications!
- › The special shape of the diced ice cube provides optimal beverage contact making this type of ice cube ideal in heavy duty purposes in cooling drinks. Diced ice cubes are frozen on a vertical evaporator.
- › The ice can be made very quickly and is thus ideal for outlets needing high volumes of ice, such as fast serve dining.
- › The equipment is characterised by small footprint and improves the output / footprint ratio. Nevertheless diced ice is also of great general purpose throughout the hospitality industry.
- › Dice cubes are available in two different sizes to suit your specific need.
- › Water is sprinkled over the surface of the vertical evaporator grid plate with each cube forming in a cell on the grid. This is the most cost-efficient system where volume is a key request.
- › The machine is compact, requires less floor space than a machine with a horizontal evaporator.
- › The high grade foodsafe stainless steel and superior density isolation will ensure quality with and optimized energy consumption.

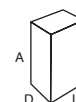
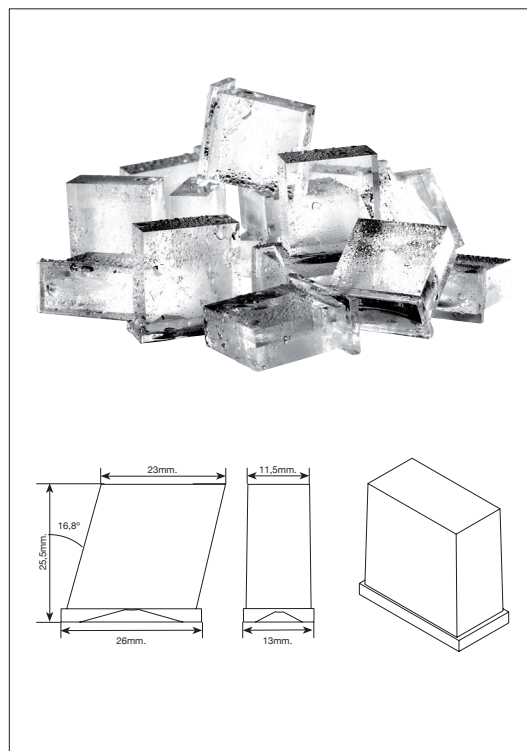
## Technical features / Operating limits

Ice cube	FD. Full: 23 x 23 x 26mm. HD. Half: 23 x 11 x 26mm.
Body	AISI 304 Stainless Steel.
Vertical evaporator system	Special ICE TECH FD/HD water distribution system. The ICE TECH FD/HD machine produces pure & cristal-clear cube ice. Think ICE TECH FD/HD machine as a partner, designer to be easier to use. The modular ICE TECH FD/HD machine produce half or full cubes.
Electronic controls	Simple, easy to understand and service. High reliability and low spare parts cost.
Stackable	Possibility to stack two units with the special ice chute assembly.
Tropicalized machines	Class T
Range	Air temperature: 5 – 40°C Water temperature: 5 – 35°C Pressure: 0,7 – 6 bar
Ice production capacity	Kg/24h at Ambient temperature 21°C, Water temperature 15°C.
Certification	ISO 9001, CE
Others	Refrigerant R404 & R290 Water inlet connection 3/4" ICE TECH FD / ICE TECH HD 215 ICE TECH FD / ICE TECH HD 415 Single-phase input: 220V-50Hz. / 220V-60Hz. Triphase or single-phase. Triphase input: 380V/50-60Hz

## FD | 12 gr



## HD | 6 gr



Model	Condensation System	Production Kg. / Day	Storage Kg.	Voltage	Maximum Power Input W.	WIDTH x DEPTH x HEIGHT Dimensions mm.
ICE TECH FD/HD 50 R290	Air*	45	20	I	240	535 x 595 x 789
ICE TECH FD/HD 70 R290	Air*	76	20	I	358	535 x 595 x 789
ICE TECH FD/HD 100 R290	Air*	99	35	I	465	660 x 700 x 832
ICE TECH FD/HD 150 R290	Air*	145	45	I	700	762 x 762 x 832
ICE TECH FD/HD 215	Air Water	212 215	MODULAR	I	1200 1200	762 x 620 x 500
ICE TECH FD/HD 315 SLIM	Air Water	300 320	MODULAR	I	1400 1400	559 x 621 x 659
ICE TECH FD/HD 415	Air Water	403 412	MODULAR	III/I	1800 1800	762 x 620 x 760

\* Water cooling is available for the above FD/HD models with R452 gas. Please ask our sales team.

Supplement	Storage Kg.	Storage ARI	Dispensing Speed g./seg.	Motor V./Hz. / amps.	WIDTH x DEPTH x HEIGHT Dimensions mm.
FD/HD DISPENSER DISPENSER ICE & WATER	104	83	109	220/50/0,9 115/60/1,7	769 x 835 x 1537
FD/HD SLIM DISPENSER DISPENSER ICE & WATER	58	46	109	220/50/0,9 115/60/1,7	559 x 835 x 1372