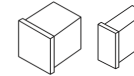


FD/HD DISPENSER

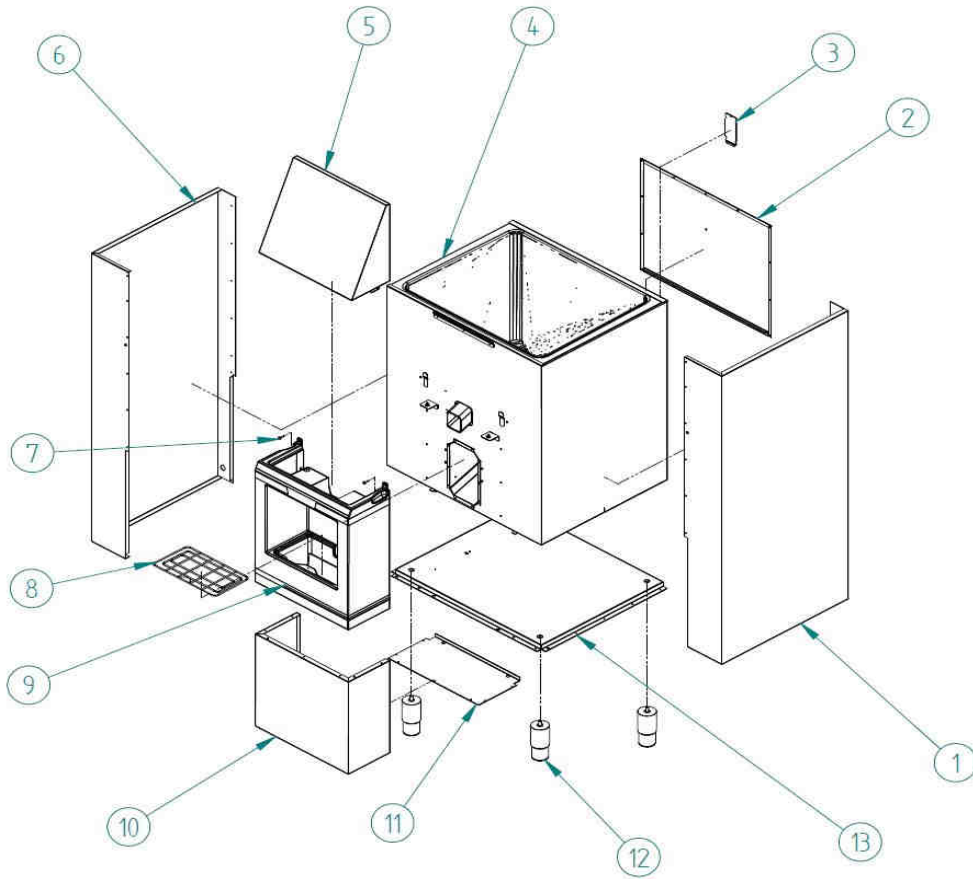


DESPIECE / REPUESTOS
EXPLODED VIEW / SPARE PARTS
EXPLOSIONSZEICHNUNG / ERSATZTEILE
VUE ÉCLATÉÉ / PIÈCES DÉTACHÉES
ESPLOSO / RICAMBI

CABINET

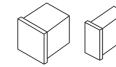


FD/HD DISPENSER

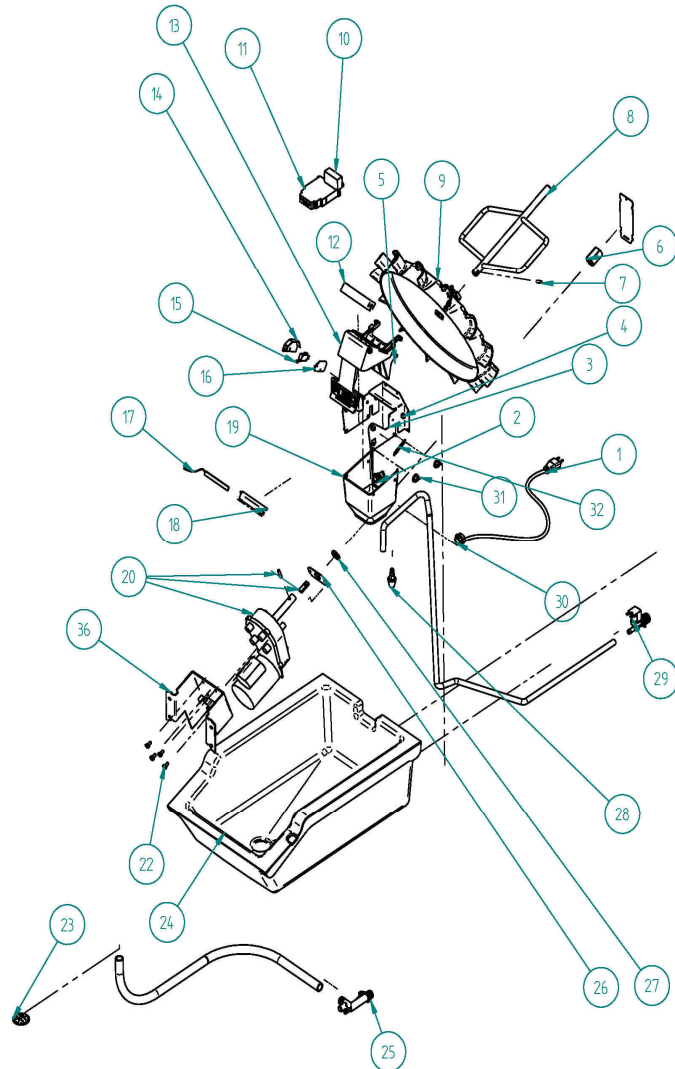


NAME		
1	RIGHT PANEL	6891
2	BACK PANEL	6890
3	TOP COVER	6323
4	INSULATED BIN	6869
5	TOP FRONT	7755
6	LEFT PANEL	6892
7	SCREW M5x20	7711
8	GRILL	6875
9	FRONT	6802
10	LOWER FRONT PANEL	6893
11	BASE	6903
12	INOX LEG	6749
13	BASE	7733

DISPENSER PARTS



FD/HD DISPENSER



NAME		
1	SCHUCKO PLUG	2771
		220V
		110V
2	PUSH-BUTTON	408
3	MECHANISM SUPPORT	6148
4	BUSHING	6870
5	BUSHING	171
6	COVER	6879
7	BUSHING	6868
8	SHAFT HASP	31644
9	SHAKER	6874A
10	WHEEL	31661
11	FEEDER LED	6897
12	TIMER	6882
13	TENSE	6895
14	ICE PUSH-BUTTON	6801
15	MICRO BOX	371
16	MICRO	387
17	PROTECTION (MICRO)	5212
18	LED	6896
19	LED SUPPORT	6999
20	ICE EXIT	6873
21	MOTOR	30560
		220V
		110V
22	SCREW	30561
23	SCREW	6878
24	DRAIN GIRLL	766
25	DRAIN BIN	6862
26	WATER DISTRIBUTOR	6206
27	SEAL COVER	6880
28	SEAL	6879
29	WATER EXIT	7715
30	WATER VALVE	7737
		220V
		110V
31	WIRING FIXING FLANGE	7736
32	NUT	4907
33	SPRING	7710
34	MOTOR BRACKET V2 3MM	6872
35		30616