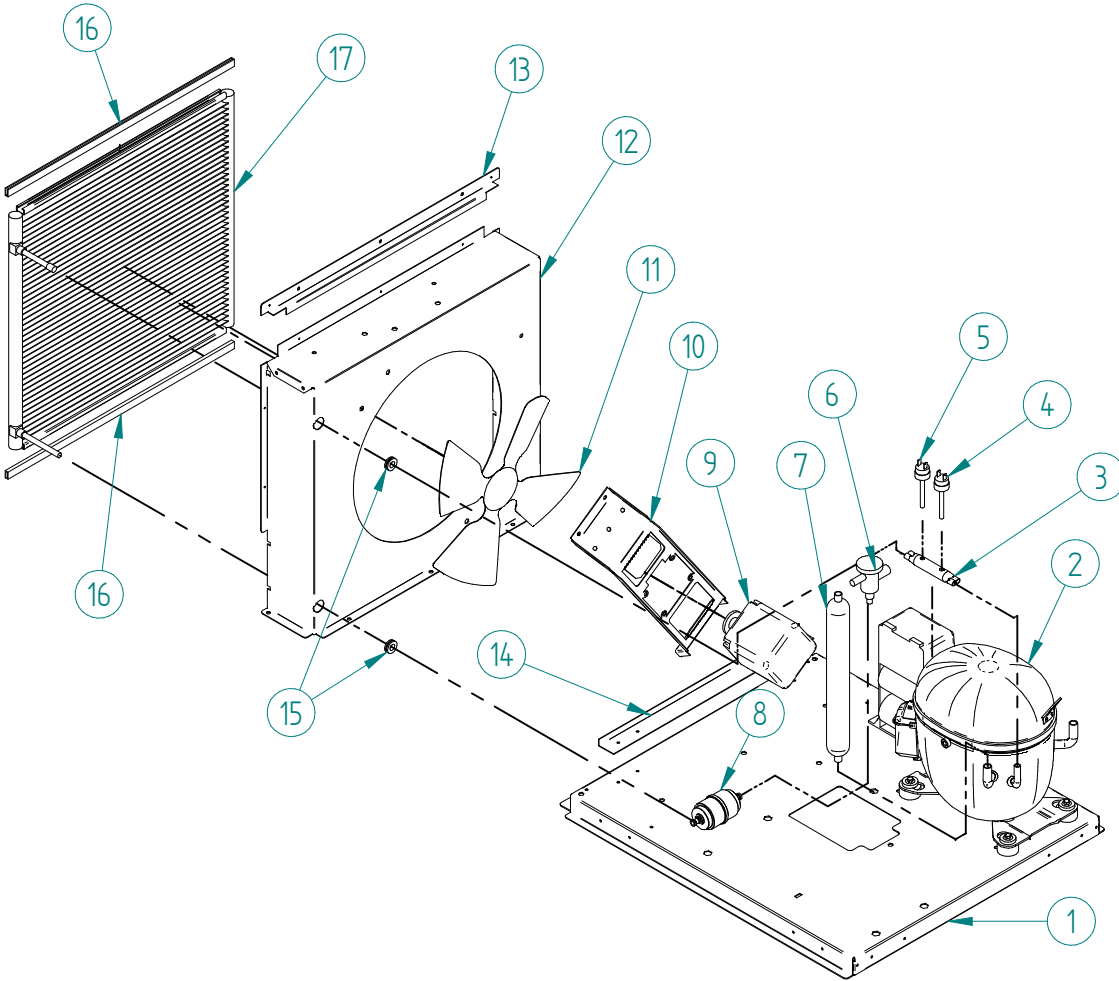
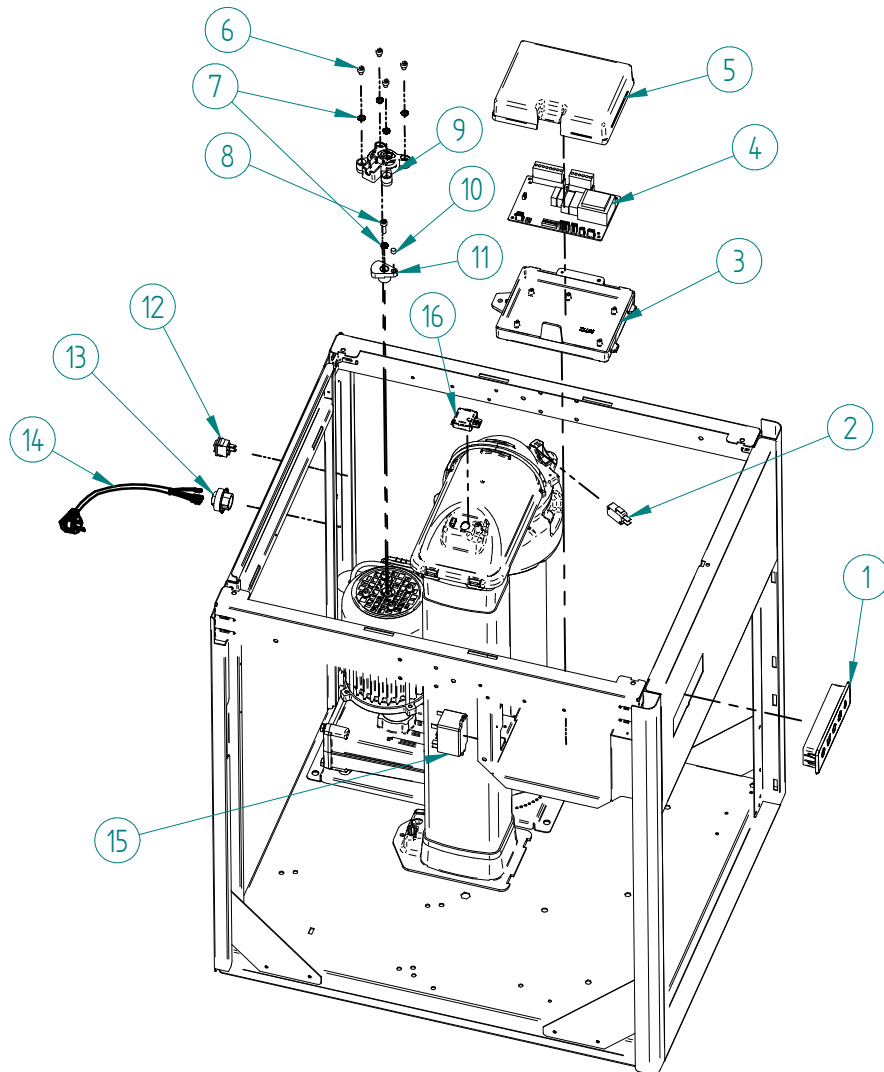




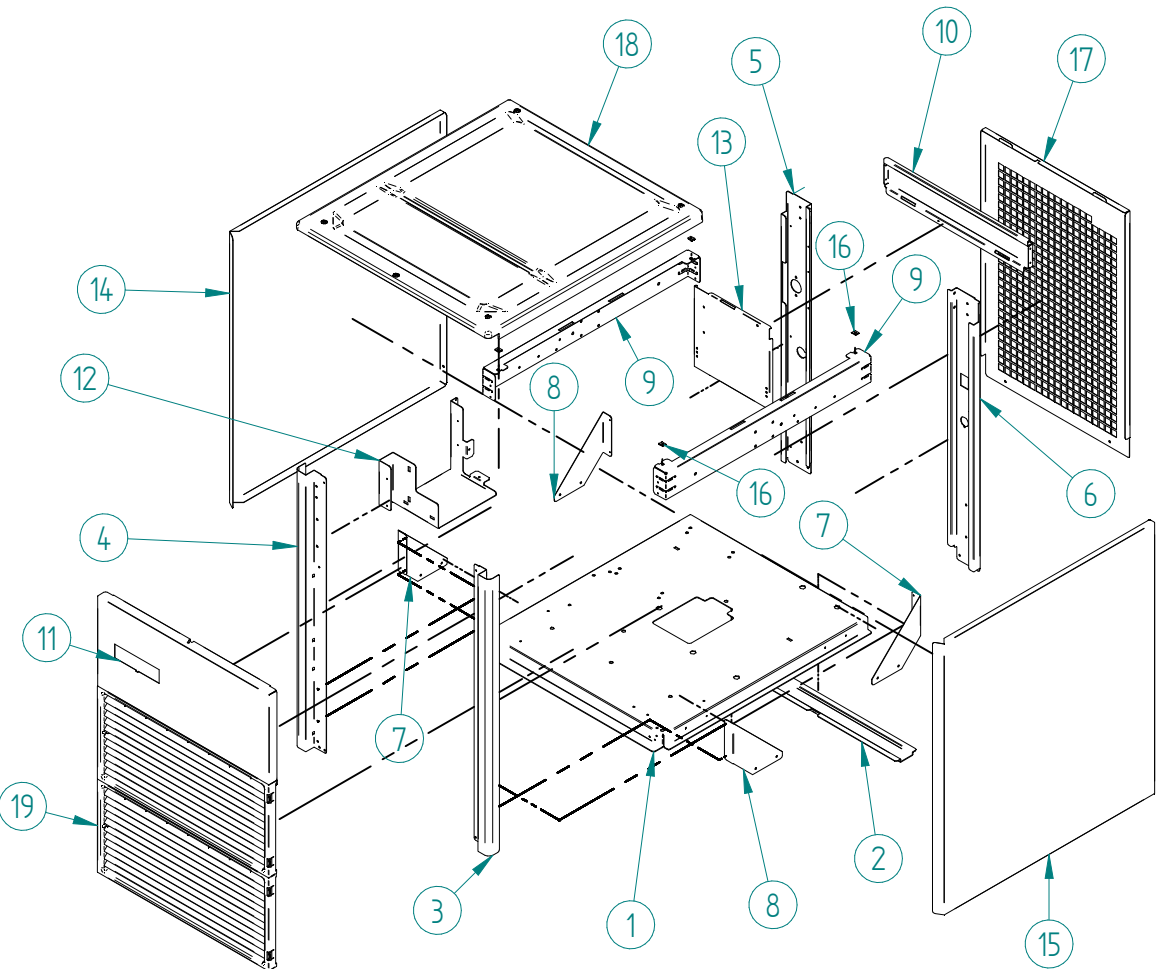
DESPIECE / REPUESTOS  
EXPLODED VIEW / SPARE PARTS  
EXPLOSIONSZEICHNUNG / ERSATZTEILE  
VUE ÉCLATÉE / PIÈCES DÉTACHÉES  
ESPLOSO / RICAMBI



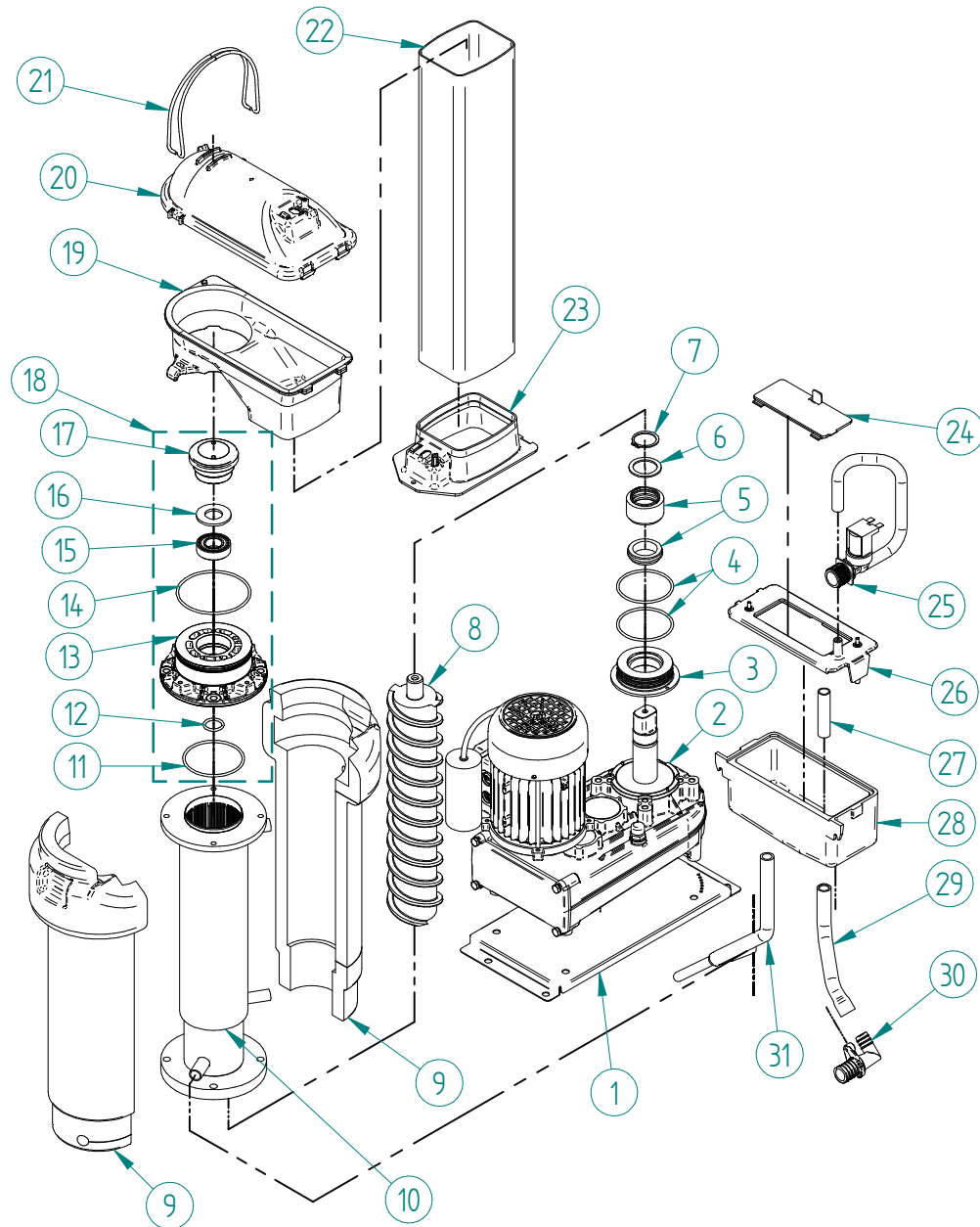
ITEM	DESCRIPTION	GRN/F 310 220V/50HZ	GRN/F 310 115V/60HZ	GRN/F 510 220V/50HZ
1	BENCH	31463		
2	COMPRESSOR 220V/50HZ	31310	-	32381
	COMPRESSOR 115V/60HZ	-	31457	-
3	PRESSURE SWITCH COLLECTOR	31444		32695
4	HIGH PRESSURE SWITCH	31660E		
5	CONDENSATION PRESSURE SWITCH	31160E		
6	EXPANSION VALVE	31524		32346
7	SUCTION ACCUMULATOR	6805		8185
8	DRIER FILTER	2560		
9	FAN MOTOR 220V/50-60HZ + WIRE	32654+32656	-	32654+32656
	FAN MOTOR 115V/60HZ + WIRE	-	32655+32656	
10	FAN SUPPORT	32653		
11	FAN BLADE	6398		
12	CONDENSER BOX	31748		
13	UPPER CONDENSER REINFORCEMENT	31749		
14	LOWER CONDENSER REINFORCEMENT	31750		
15	RUBBER GROMMET	31746		
16	RUBBER REINFORCEMENT	31747		
17	CONDENSER	31683		



ITEM	DESCRIPTION	GRN/F 310 220V/50HZ	GRN/F 310 115V/60HZ	GRN/F 510 220V/50HZ
1	LED PANEL		30566A	
2	ICE FULL MICRO SWITCH		32658	
3	ELECTRIC BOX		30792	
4	ELECTRONIC BOARD 220V/50-60HZ	30564C	-	30564C
	ELECTRONIC BOARD 115V/60HZ	-	30565C	-
5	ELECTRIC BOX COVER		31274	
6	SCREW		2595	
7	WASHER		291	
8	SCREW		47743	
9	ROTATION SENSOR		30568	
10	MAGNET		30448	
11	MAGNET SUPPORT		30449	
12	SWITCH		32416	
13	CABLE RESTRAINER		4907	
14	POWER CORD	408	-	408
	POWER CORD	-	2771	-
15	RELAY 220V/50-60HZ	32502	-	32502
	RELAY 115V/60HZ	-	32501	-
16	STOCK ICE SENSOR		31261	



ITEM	DESCRIPTION	GRN/F 310 220V/50HZ	GRN/F 310 115V/60HZ	GRN/F 510 220V/50HZ
1	BENCH		31463	
2	OMEGA BENCH		31504	
3	RIGHT SUPPORT		31464	
4	LEFT SUPPORT		31465	
5	LEFT REAR SUPPORT		31467	
6	RIGHT REAR SUPPORT		31466U	
7	SUPPORT REINFORCEMENT		31468	
8	SUPPORT REINFORCEMENT		31469	
9	SIDE REINFORCEMENT		31470	
10	REAR SUPPORT REINFORCEMENT		31472	
11	TOP SUPPORT		31473	
12	ELECTRICAL BOX SUPPORT		31483	
13	WATER BIN SUPPORT	31477		32500
14	LEFT PANEL		31475	
15	RIGHT PANEL		31474	
16	NUT		311	
17	REAR PANEL		31476	
18	TOP PANEL		30423	
19	AIR GRID		4186	



ITEM	DESCRIPTION	GRN/F 310	GRN/F 310	GRN/F 510
		220V/50HZ	115V/60HZ	220V/50HZ
1	GEAR MOTOR SUPPORT (*consult serial number)	31484 / 33672		
2	GEAR MOTOR (*consult serial number)	30562 / 30889	30563B / 33676A	30249 / 30356
3	EVAPORATOR SUPPORT	30435		32368
4	O-RING	30492		32369
5	MECHANICAL CLOSING	8962		
6	WASHER	30576		
7	SEEGER WASHER	8957		
8	AUGER	30436		30006
9	EVAPORATOR INSULATION	31247		31777
10	EVAPORATOR	31604		32374
11	O-RING	30496		8954
12	O-RING	30494A		8953A
13	FLAKER EXTRUDER (IQF) NUGGETS EXTRUDER (IQN)	30589 31242		31245A 31244A
14	O-RING	8954		
15	BEARING	30495		32370
16	FLAT WASHER	30577		32371
17	FLAKER ICE BREAKER (IQF) NUGGETS ICE BREAKER (IQN)	30590 30444		31425 31424
18	CONVERSION KIT OF IQN INTO IQF CONVERSION KIT OF IQF INTO IQN	32956 32957		32958 32959
19	ICE EXIT	30452		
20	ICE EXIT COVER	30445A		
21	O-RING	30499A		
22	ICE EXIT CHUTE	33266		33267
23	ICE EXIT CHUTE SUPPORT	30791		
24	COVER	1968G		
25	WATER INLET 220V/50-60HZ WATER INLET 115V/60HZ	31780 -	- 31779	31780 -
26	WATER TANK COVER	30432		
27	OVERFLOW TUBE	31781		
28	WATER TANK	1966A		
29	DRAIN PIPE	30856		
30	DRAIN CONNECTOR	30850		
31	WATER INLET PIPE	30855		