

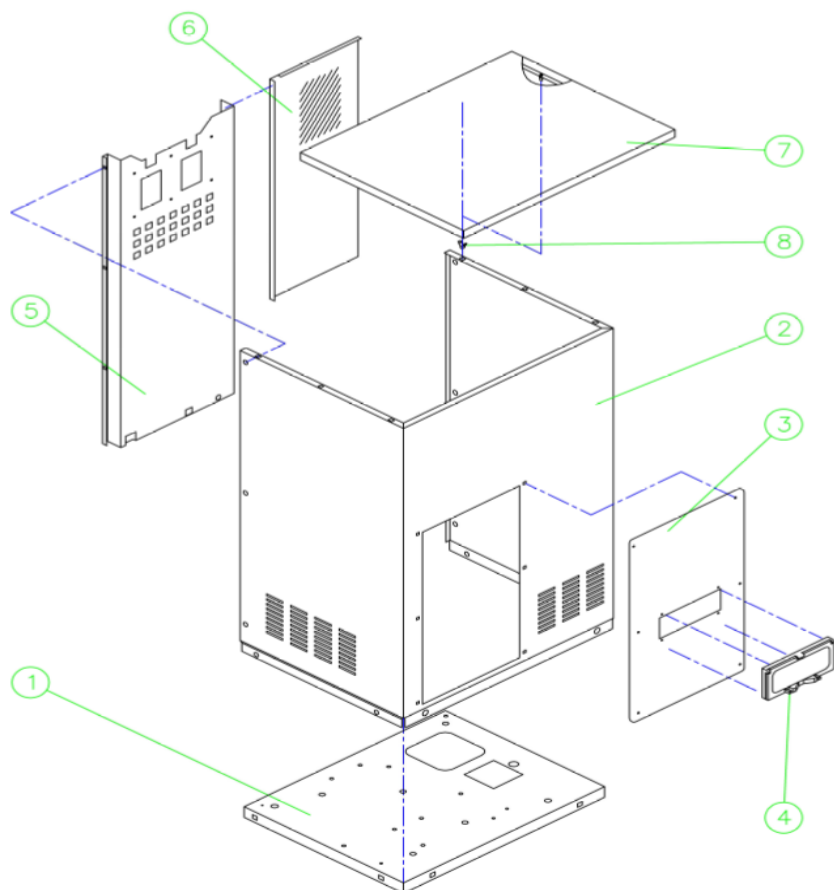


GR850

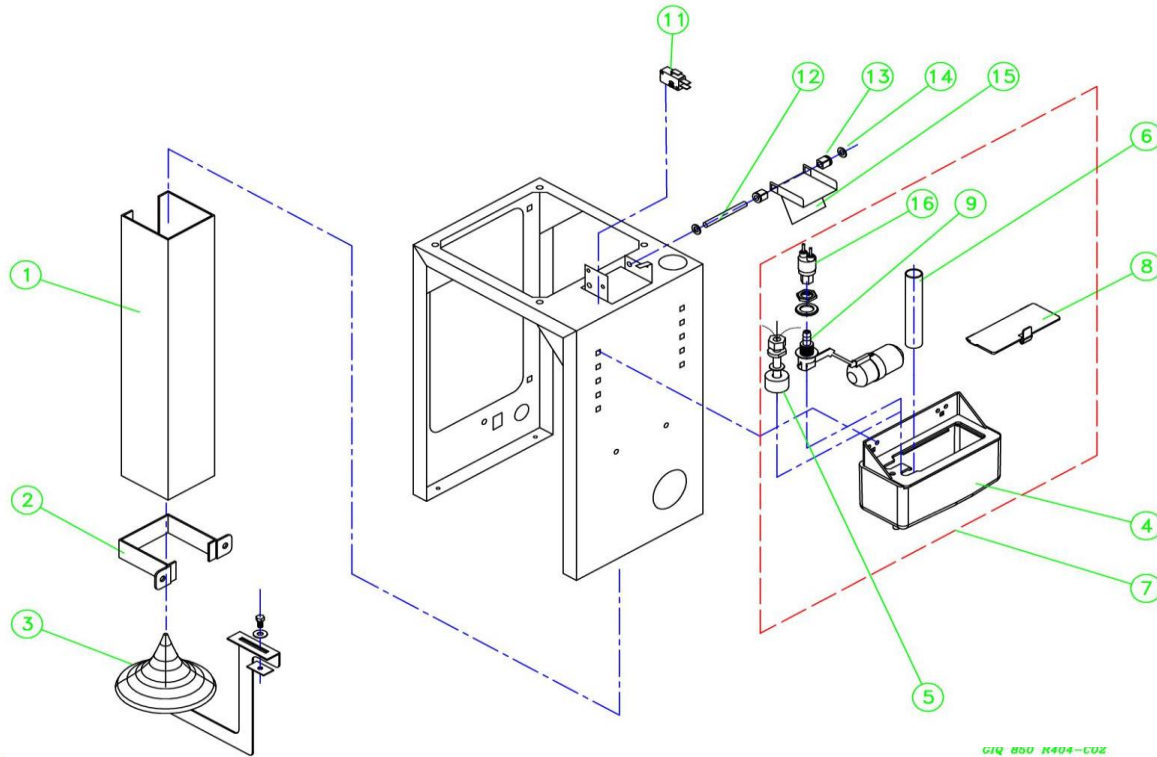


DESPIECE / REPUESTOS
EXPLODED VIEW / SPARE PARTS
EXPLOSIONSZEICHNUNG / ERSATZTEILE
VUE ÉCLATÉÉ / PIÈCES DÉTACHÉES
ESPLOSO / RICAMBI





NAME		
1	BASE	3413
2	COVERING	3416
3	ELECTRICAL BOX COVER	2903
4	PLASTIC COVER	1479
5	CONNECTIONS SUPPORT	3415
6	REAR COVER	3417
7	TOP COVER	3419
8	CLIP	312



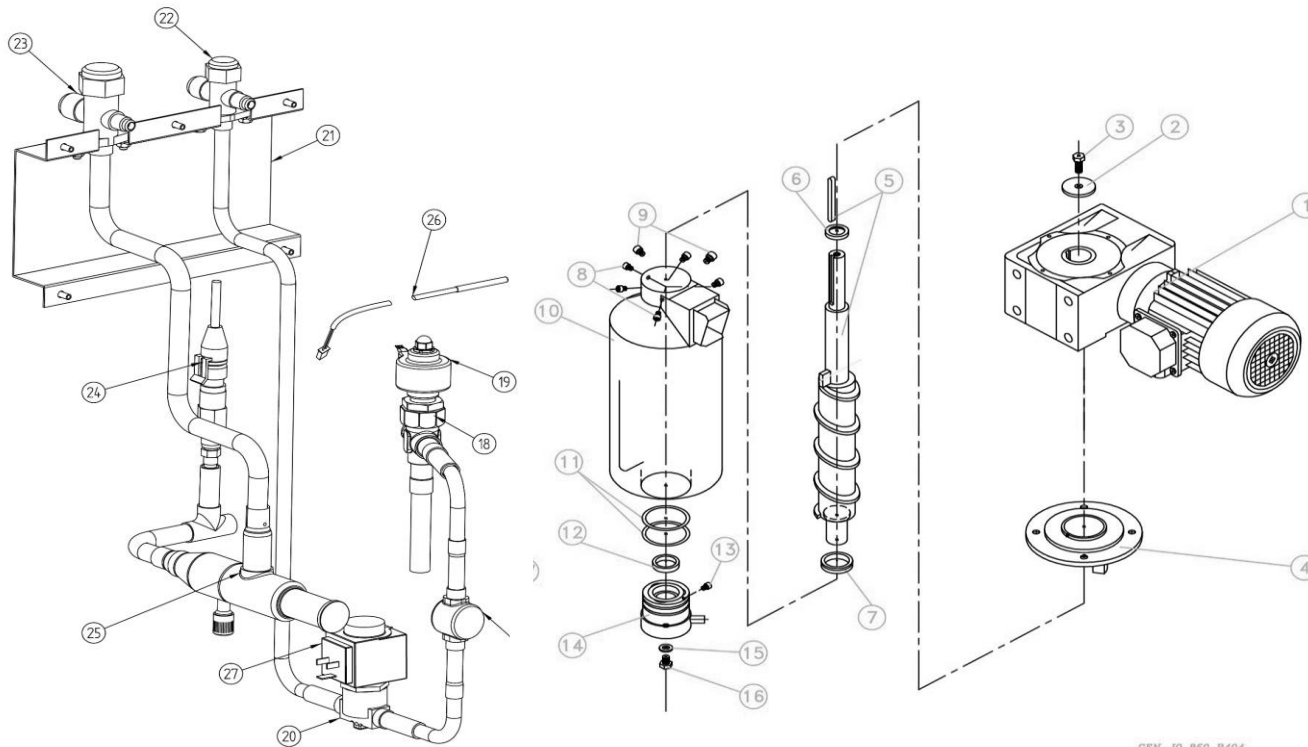
GR850 11404-CUZ

NAME		
1	ICE DELIVERY CHUTE	2444
2	FLANGE	2447
3	DISERSION CONE	7228
4	WATER BIN	6036A
5	WATER LEVEL PROBE	5423
6	OVERFLOW TUBE	2505
7	COMPLETE WATER BIN	5231A
8	TOP PANEL BIN	1968G
9	VERTICAL FLOAT VALVE	5340
11	STOP MIICRO ICE	2517
12	SHAFT	2514
14	ANILLO EJE	6004
15	STOP BASCULE	2434

EVAPORATOR R404A/R448A/R449A

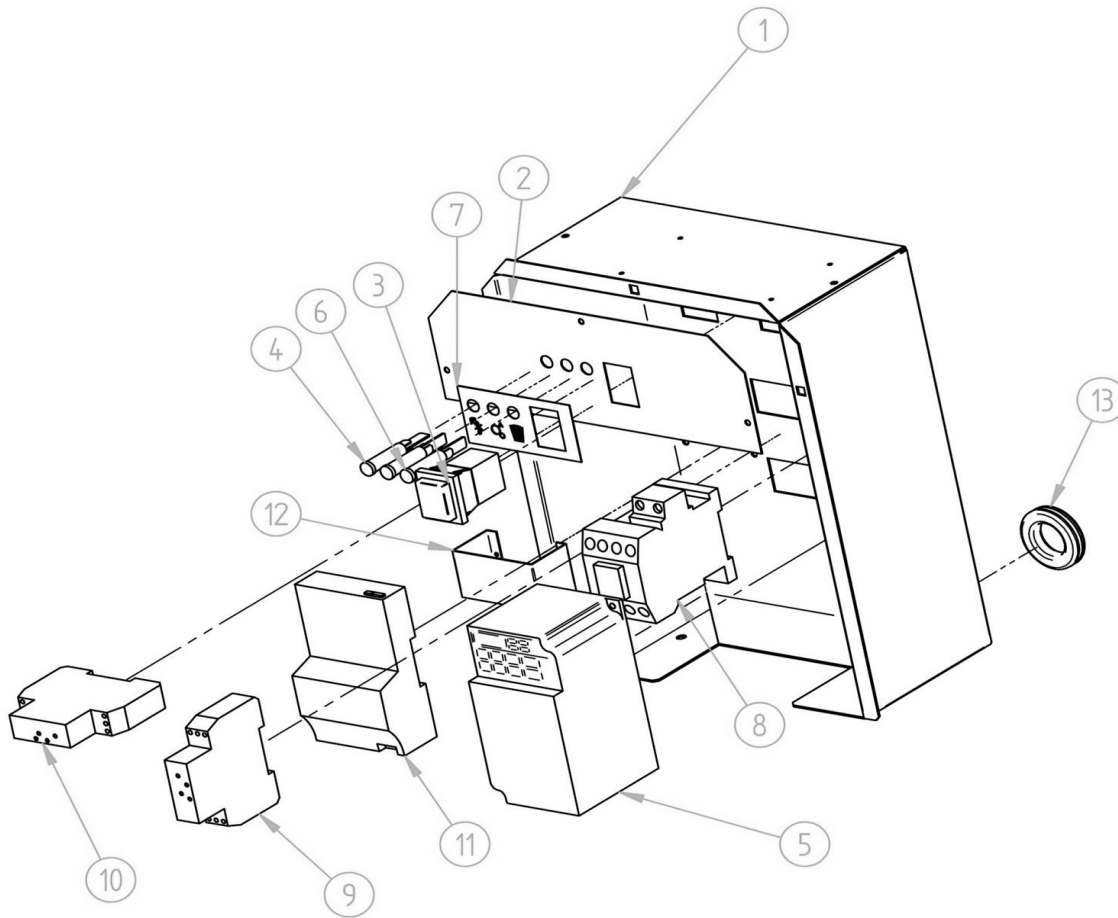


GR850



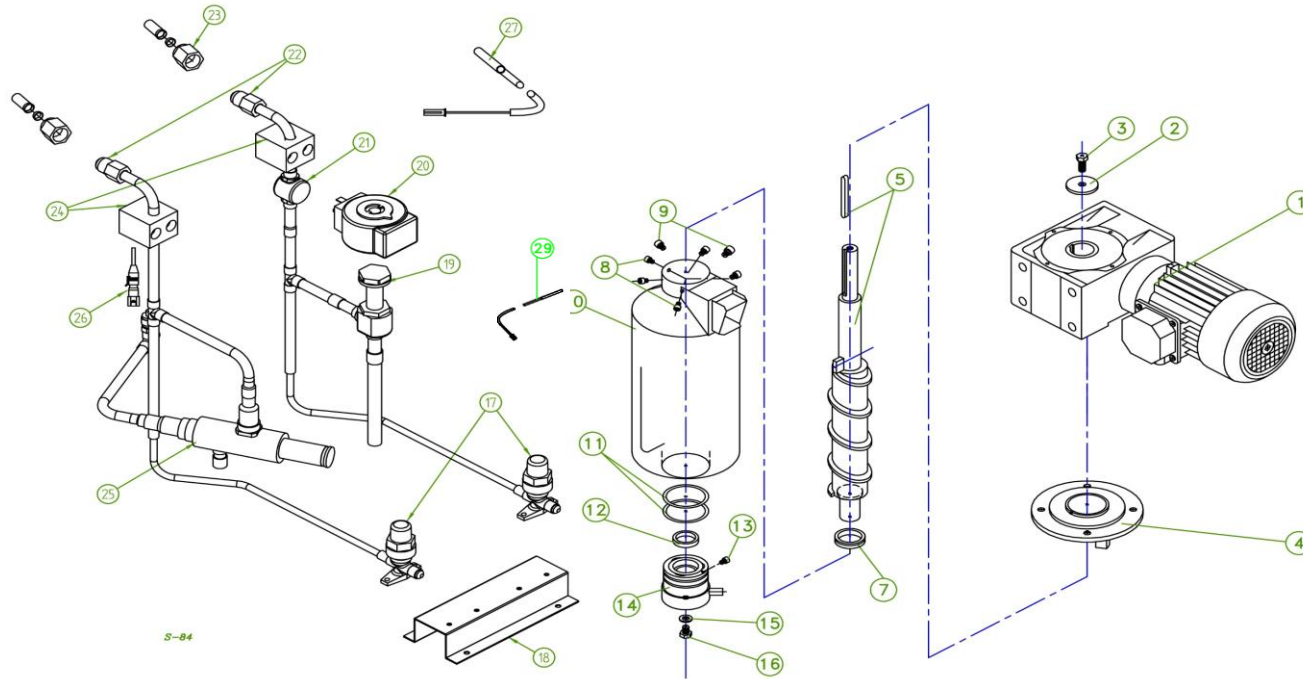
GRN. IQ. 850 R404

NAME		
1	GEAR MOTOR	31393
2	WASHER 4X13X5	1850
3	SCREW 12X30	719
4	FLANGE PLATE	5366
5	SPINDLE WITH KEY	894
7	V-RING JOINT	2335
8	ALLEN SCREW (x5)	2871
9	ALLEN SCREW 10X12 (x2)	3560
10	EVAPORATOR	30727A
11	O-RING	2484
12	RETENTION	726
13	SOCKET HEAD CAP SCREW 5X6	2595
14	LOWER BEARING	162
15	WASHER	2510
16	SCREW 8X10	2449
17	SIGHT HOLE	942A
18	EXPANSION VALVE	31943
19	UNIPOLAR STATOR	31944
20	SOLENOID VALVE	8805
21	CONNECTION SUPPORT	2646
22	VALVE 3/8" VALVE	3397
23	VALVE 1/2" VALVE	3398
24	PRESSURE PROBE	30914
25	SUCTION VALVE KVP	3411
26	TEMPERATURE PROBE NTC	30939
27	COIL	8806



NAME		
1	ELECTRICAL PANEL	7919A
2	PILOT SUPPORT	8421
3	SWITCH	2287
4	RED LIGHT	1457
5	OMRON VARIABLE SPEED DRIVE	7918
	VECTOR VARIABLE SPEED DRIVE	33870
6	AMBER LED PILOT LIGHT 220V	1458
7	PILOT LIGHT COVER	6662
8	CONTACTOR	536A
9	CONNECTION TIMER	2471
10	SOLENOID TIMER	3424
11	EXPANSION VALVE DRIVER	30912
12	DRIVER SUPPORT	31979
13	WIRING RING	2520

EVAPORATOR CO2 - PULSE VALVE

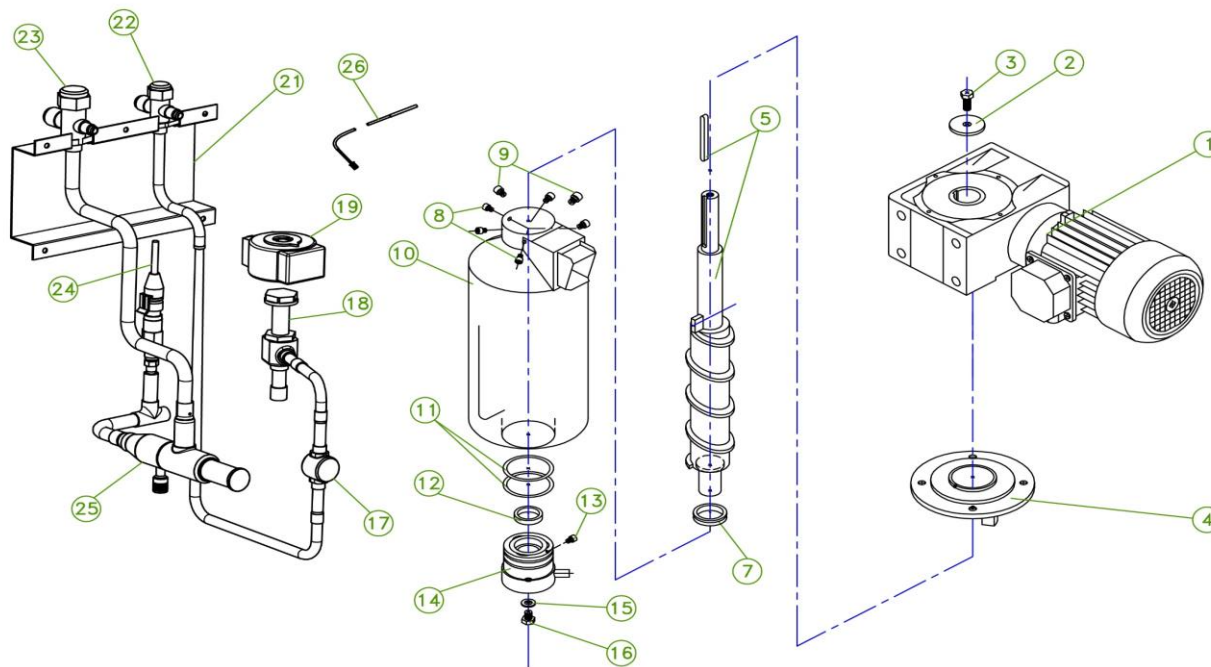


	NAME	
1	GEAR MOTOR	31393
2	WASHER 4X13X5	1850
3	SCREW 12X30	719
4	FLANGE PLATE	5366
5	SPINDLE WITH KEY	894
7	V-RING JOINT	2335
8	ALLEN SCREW (x5)	2871
9	ALLEN SCREW 10X12 (x2)	3560
10	EVAPORATOR	7912
11	O-RING	2484
12	RETENTION	726
13	SOCKET HEAD CAP SCREW 5X6	2595
14	LOWER BEARING	162
15	WASHER	2510
16	SCREW 8X10	2449
17	CO2 INLET WRENCH	7925
18	CO2 VALVE SUPPORT	8986
19	EXPANSION VALVE	7913
20	COIL	7914
21	VIEWER	942
22	CLOSING CAP 3/8	30927
23	3/8' MIXED FITTING	8470 (X0,1)
24	3/8' CLAMP	8959
25	SUCTION VALVE KVP	30695
26	PRESSURE PROBE	7917
27	TEMPERATURE PROBE NTC	30939

EVAPORATOR R404A/R448A/R449A - PULSE VALVE

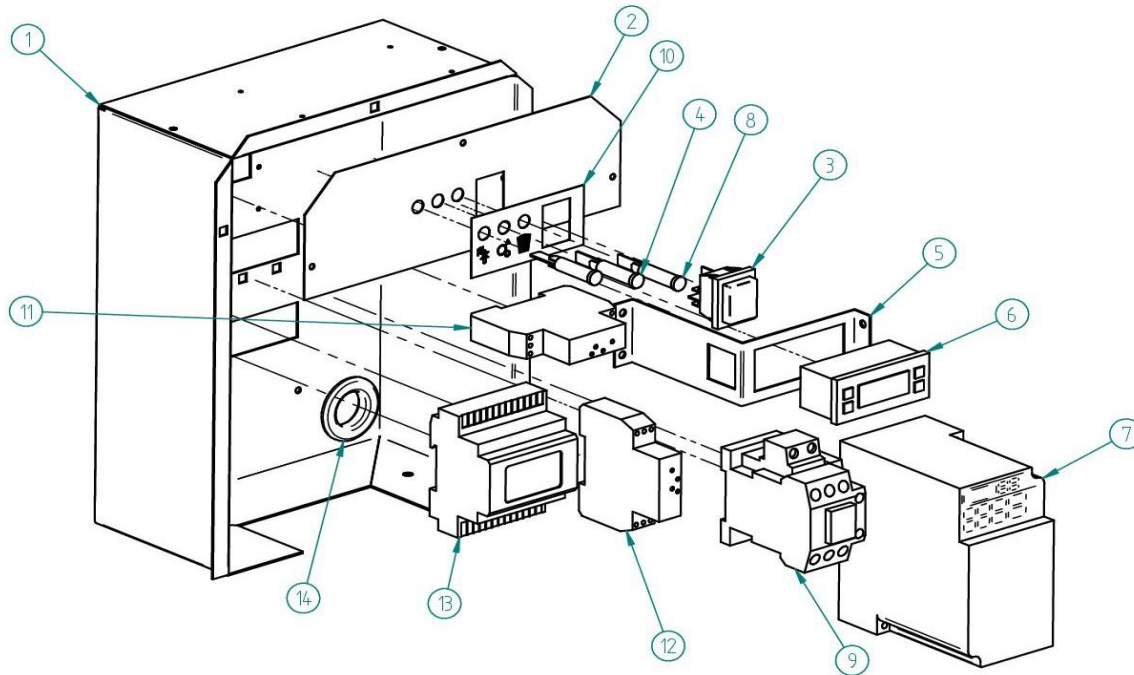


GR850



S-86

NAME		
1	GEAR MOTOR	31393
2	WASHER 4X13X5	1850
3	SCREW 12X30	719
4	FLANGE PLATE	5366
5	SPINDLE WITH KEY	894
7	V-RING JOINT	2335
8	ALLEN SCREW (x5)	2871
9	ALLEN SCREW 10X12 (x2)	3560
10	EVAPORATOR	30727
11	O-RING	2484
12	RETENTION	726
13	SOCKET HEAD CAP SCREW 5X6	2595
14	LOWER BEARING	162
15	WASHER	2510
16	SCREW 8X10	2449
17	SIGHT HOLE	942
18	EXPANSION VALVE	8992
19	COIL	8993
21	CONNECTION SUPPORT	2646
22	VALVE 3/8' VALVE	3397
23	VALVE 1/2' VALVE	3398
24	PRESSURE PROBE	8994
25	SUCTION VALVE KVP	3411
26	TEMPERATURE PROBE NTC	30939



NAME		
1	ELECTRICAL PANEL	7919
2	PILOT SUPPORT	8421
3	SWITCH	2287
4	RED LIGHT	1457
5	DISPLAY BRACKET	8987
6	IWK REMOTE TERMINAL	48505
7	OMRON VARIABLE SPEED DRIVE	7918
	VECTOR VARIABLE SPEED DRIVE	33870
8	ORANGE LIGHT	1458
9	CONTACTOR	536
10	CARATULA	6662
11	SOLENOID TIMER	3424
12	TIMER	2471
13	DRIVER V/800	7916
14	WIRES PIPE	2520