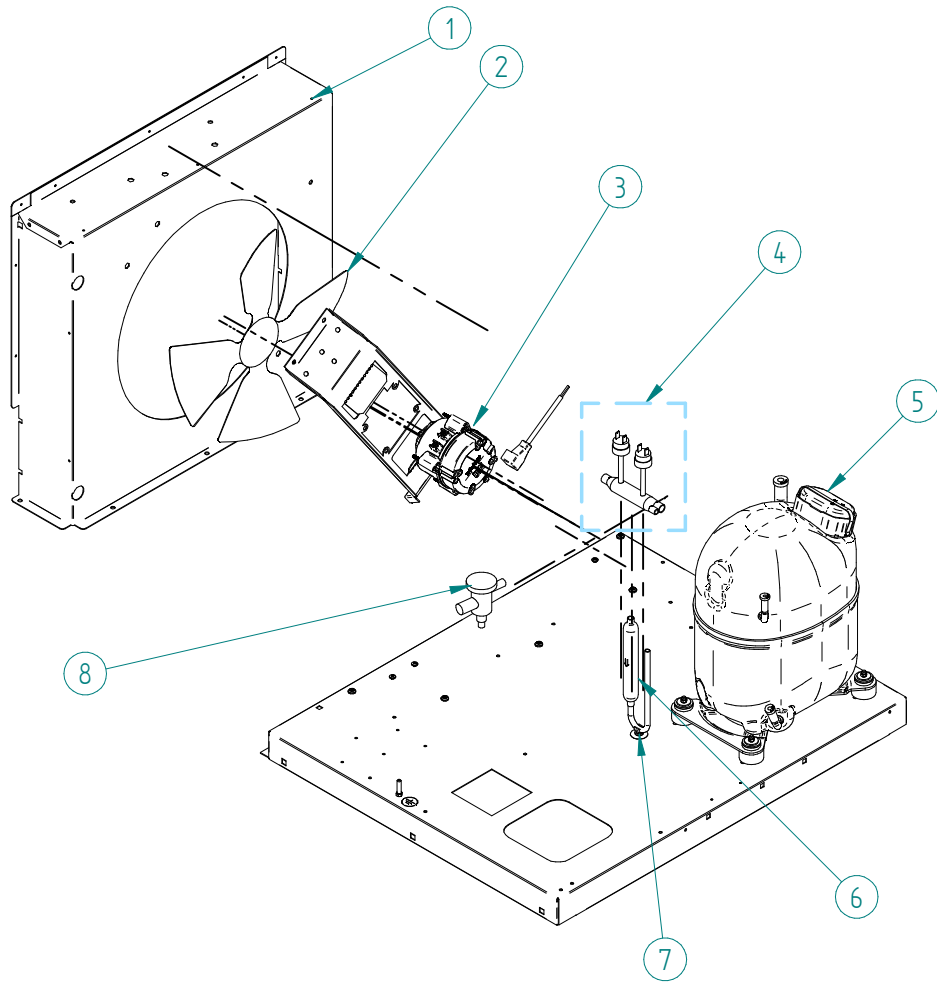
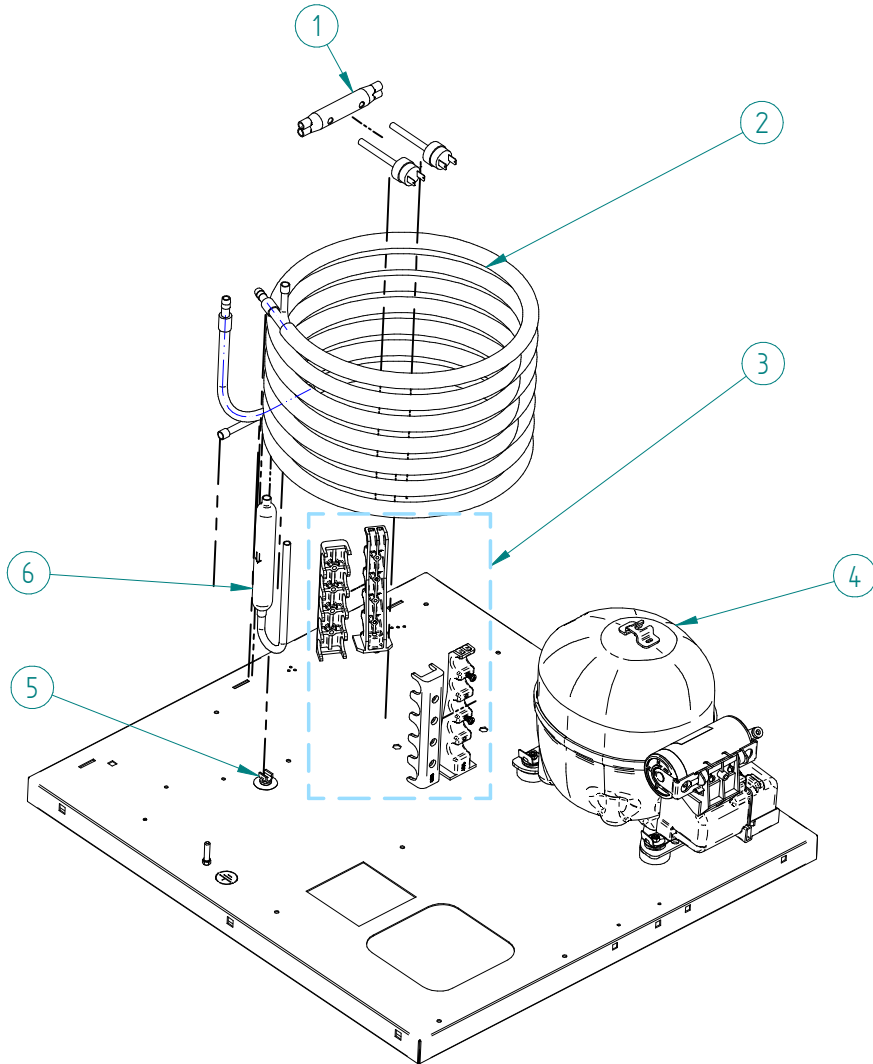




DESPIECE / REPUESTOS  
EXPLODED VIEW / SPARE PARTS  
EXPLOSIONSZEICHNUNG / ERSATZTEILE  
VUE ÉCLATÉÉ / PIÈCES DÉTACHÉES  
ESPLOSO / RICAMBI

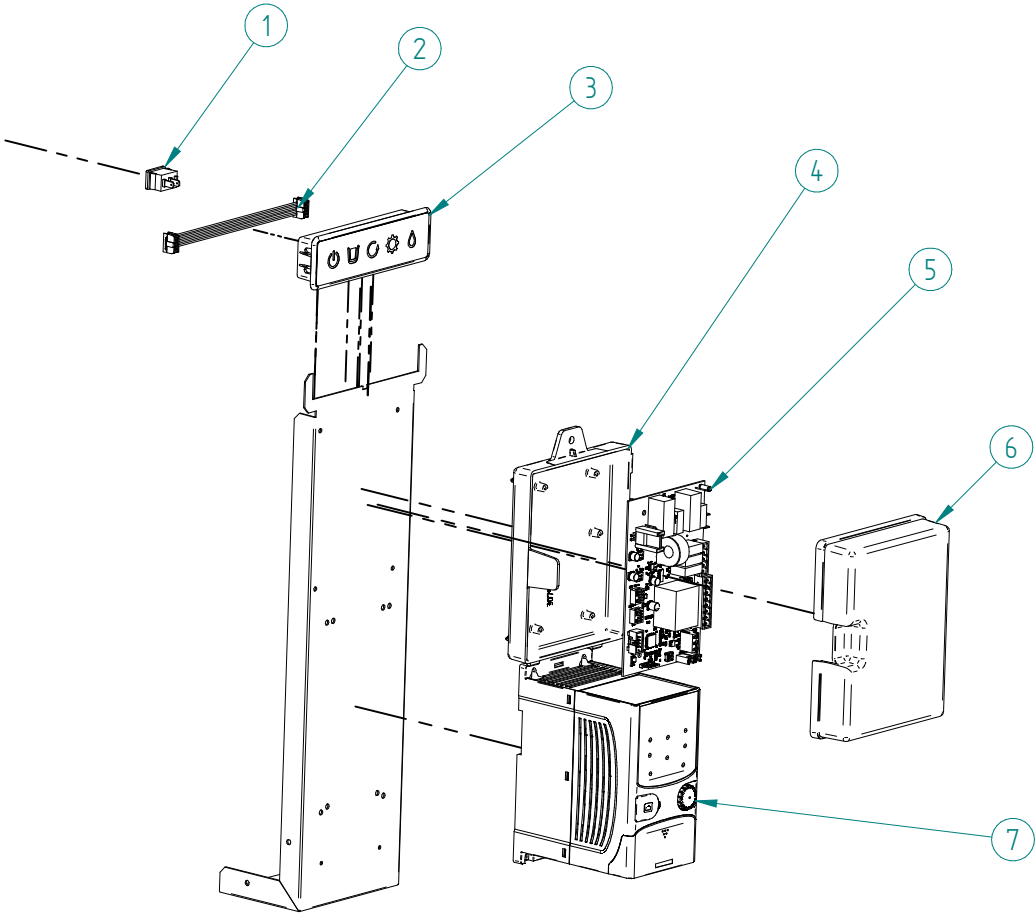


ITEM	DESCRIPTION	185	235	455	655	
1	AIR CONDENSER	486A	487A	33597		
2	FAN BLADE	4887		6398		
3	FAN MOTOR 220V/50HZ	28		32895KIQN		
4	PRESSURE SWITCHES KIT	35979		32695K		
5	COMPRESSOR	220V/50HZ	33303	33305	31310	33348
		380V/50HZ	N/A			
		220V/60HZ	N/A	32761	31458	34146
6	FILTER DRIER	7896				
7	PLASTIC CLIP 1/4"	3533				
8	EXPANSION VALVE	N/A		31524	32346	

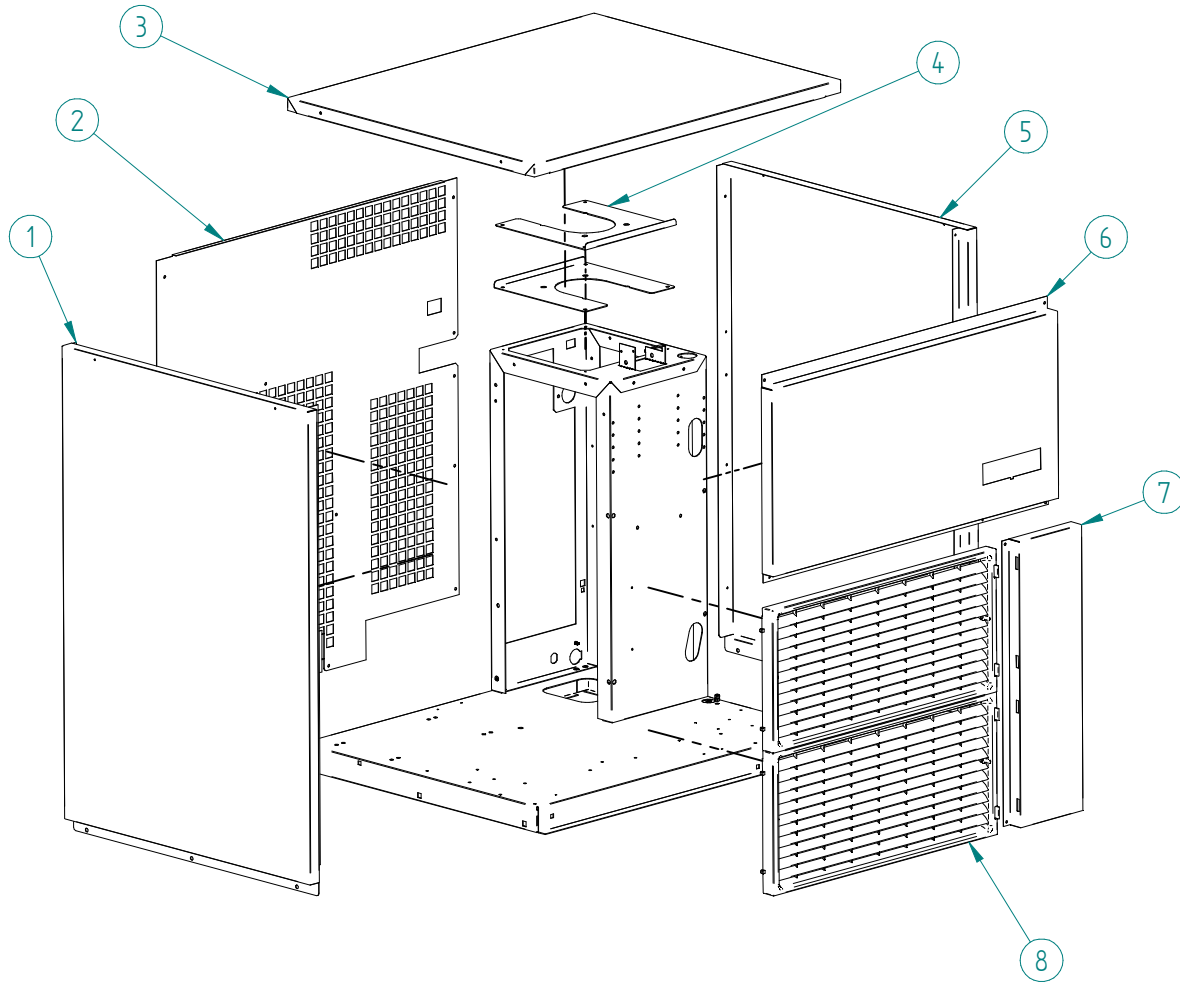


ITEM	DESCRIPTION	185	235	455	655
1	PRESSURE SWITCH COLLECTOR	35979		32695K	
2	WATER CONDENSER	5243	5244	33671	
3	WATER CONDENSER SUPPORT KIT	35990		N/A	
4	COMPRESSOR 220V/50HZ	33303	33305	31310	33348
5	PLASTIC CLIP 1/4"			3533	
6	FILTER DRIER			7896	

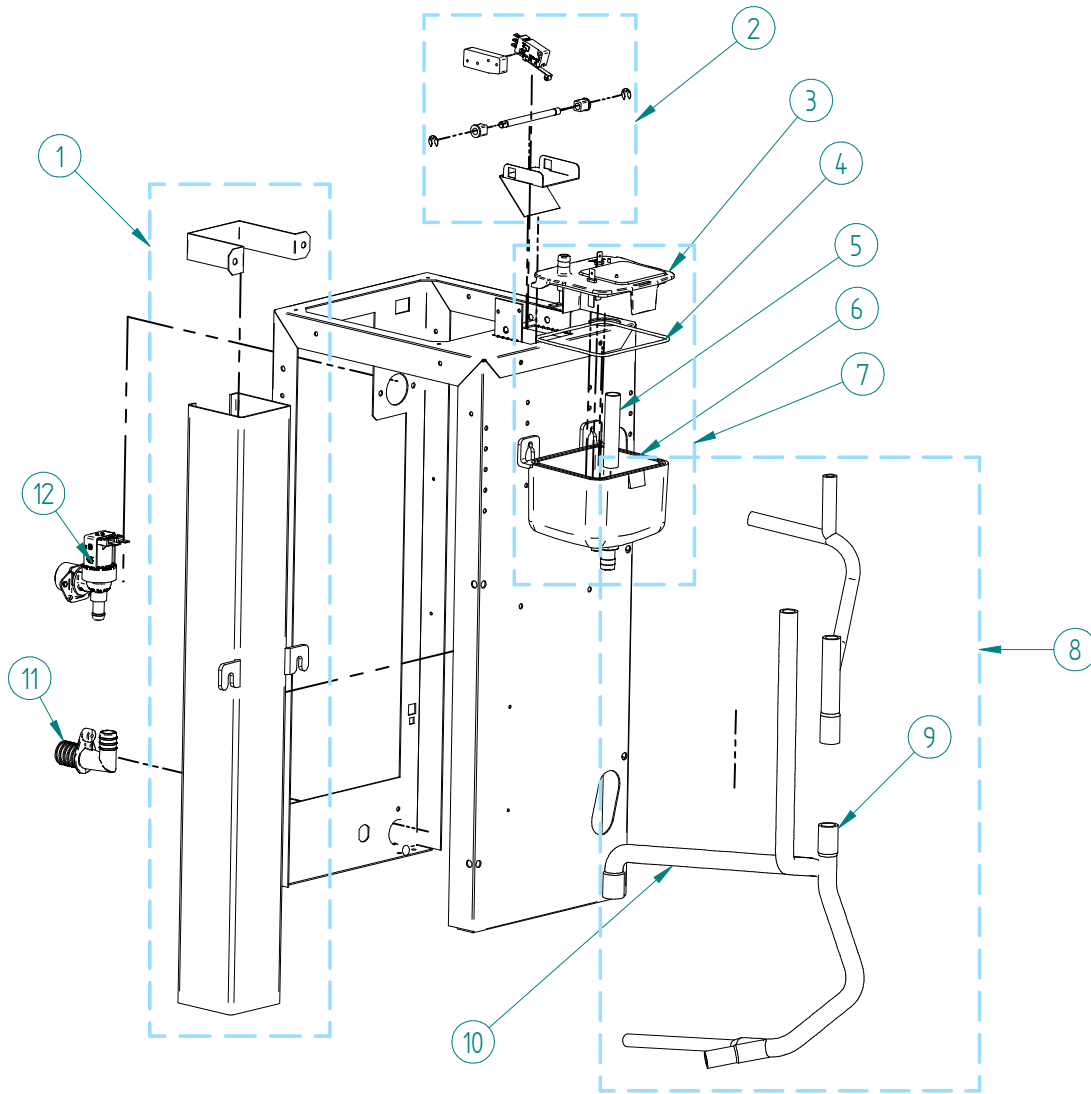
**\*PROVIDE SERIAL NUMBER**



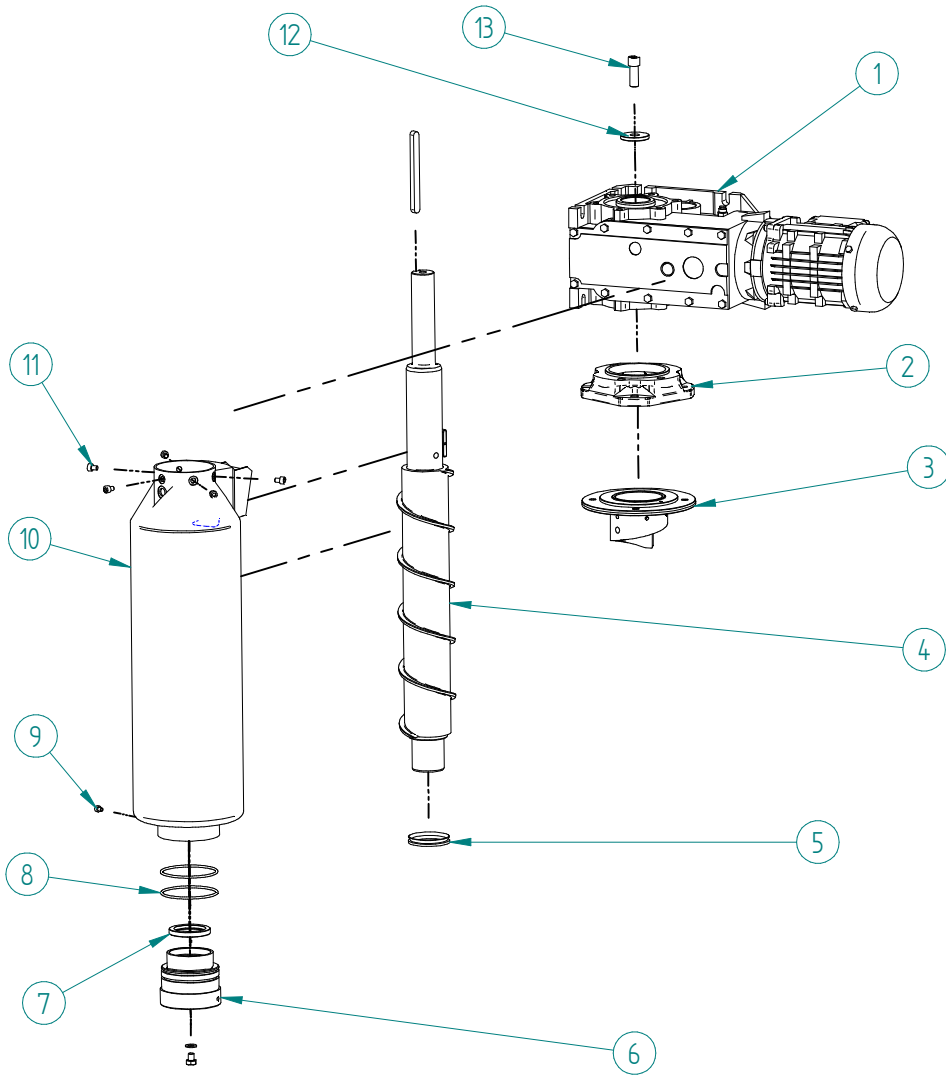
ITEM	DESCRIPTION	185/235	455	655 (I)	655 (III)
1	ATEX ON/OFF SWICH			32416	
2	DISPLAY CABLE	34457	34162		34457
3	PILOT PANEL			30566B	
4	ELECTRIC BOX BASE		30792		N/A
5	ELECTRONIC BOARD		33799		33800
6	LID ELECTRICAL BOX		31274		34550
7	FREQUENCY INVERTER (I)	N/A	34286		N/A



ITEM	DESCRIPTION	185/235	455	655	
1	LEFT SIDE PANEL	34489	34535	34533	
2	REAR COVER	34104	34107	34110	
3	TOP PANEL	2465U	8784		
4	FLANGE SUPPORT	2455	2477		
5	RIGHT SIDE PANEL	1927U	34534	34532	
6	FRONT PANEL	(I)	34543	34069	34070
		(III)	N/A	34069	34070
7	FRONT LOUVER	N/A	8705U		



ITEM	DESCRIPTION	185/235	455	655
1	OUTLET ICE TUBE	2441K	2443K	2444K
2	MICRO SWITCH KIT (ATEX)		32998K	
3	WATER BIN COVER		34123	
4	O-RING		34150	
5	OVERFLOW TUBE		2505	
6	WATER BIN		34122	
7	WATER BIN ASSEMBLY		34552	
8	IQ650 TUBES KIT	N/A	N/A	34569K
9	EVAPORATOR WATER INLET TUBE		34094	
10	DRAIN TUBE	34093	34096	
11	DRAIN CONNECTION		30850	
12	WATER INLET VALVE		34126R	



ITEM	DESCRIPTION	185/235	455	655
1	GEAR MOTOR* 220V/50HZ 380V/50-60HZ	33707	N/A	30363A 30363A
2	FLANGE GEAR MOTOR*	N/A	30874B	
3	FLANGE/PLATE	5365	5366	
4	AUGER*	2245	33931	894
5	V-RING	2334	2335	
6	LOWER BEARING	125AK	162AK	
7	SEAL	725	726	
8	O-RING BEARING	2256	2484	
9	BEARING SCREW		2595	
10	EVAPORATOR	7633A	7635	7636A
11	FLANGE SCREW	2871K (M6) -- 3560K (M10)		
12	AUGER TOP SPACER*	2512	33930	1850
13	AUGER TOP SCREW*	3297	719	
14	EVAPORATOR ASSEMBLY (From 4 to 12)	7194	7179	7177

**\*PROVIDE SERIAL NUMBER**