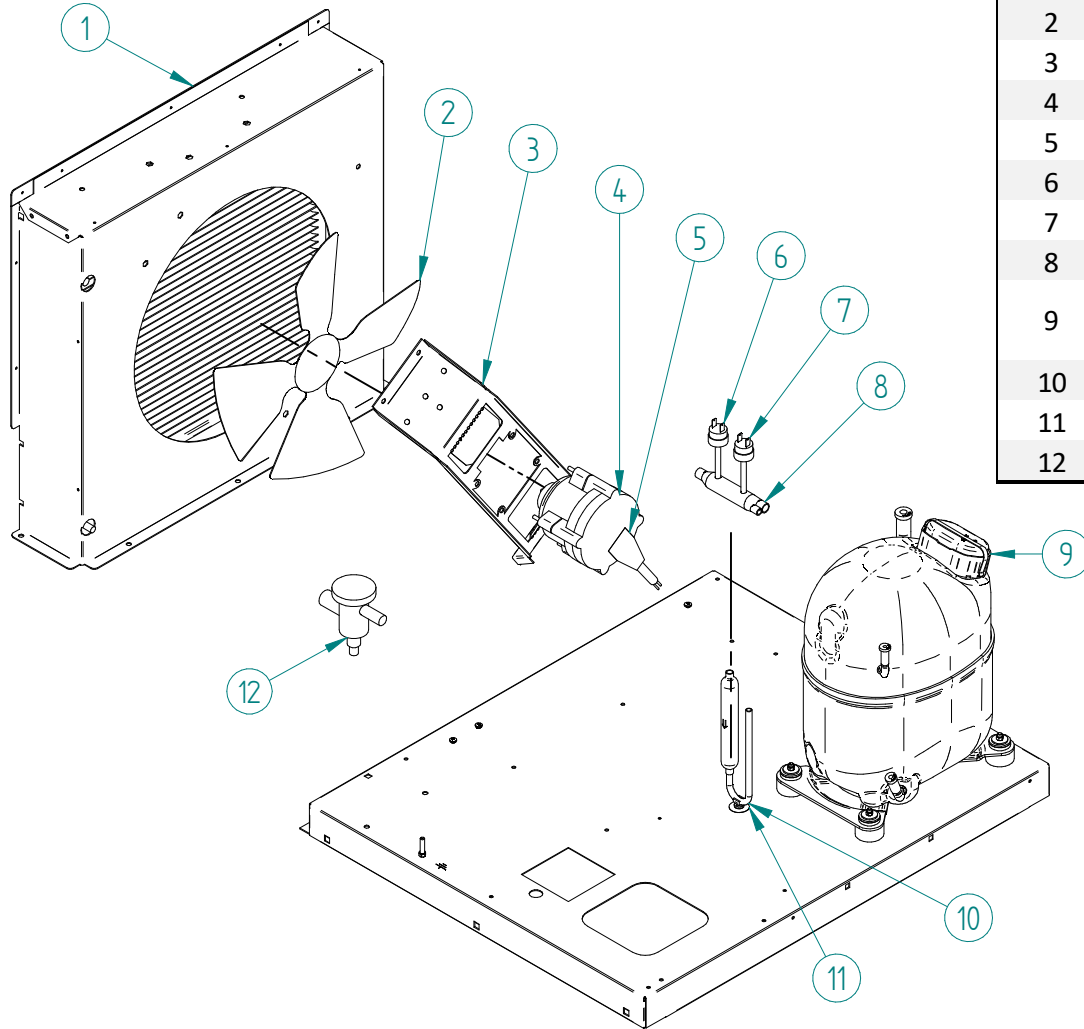
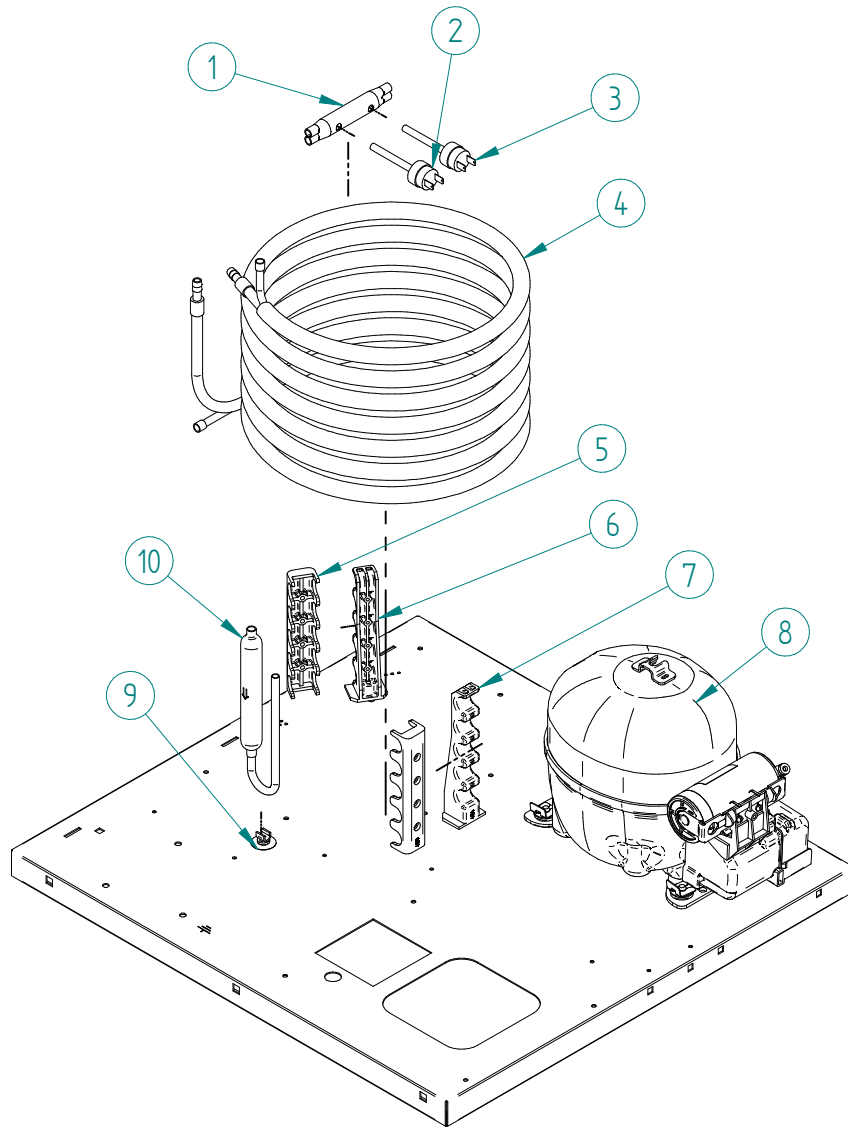




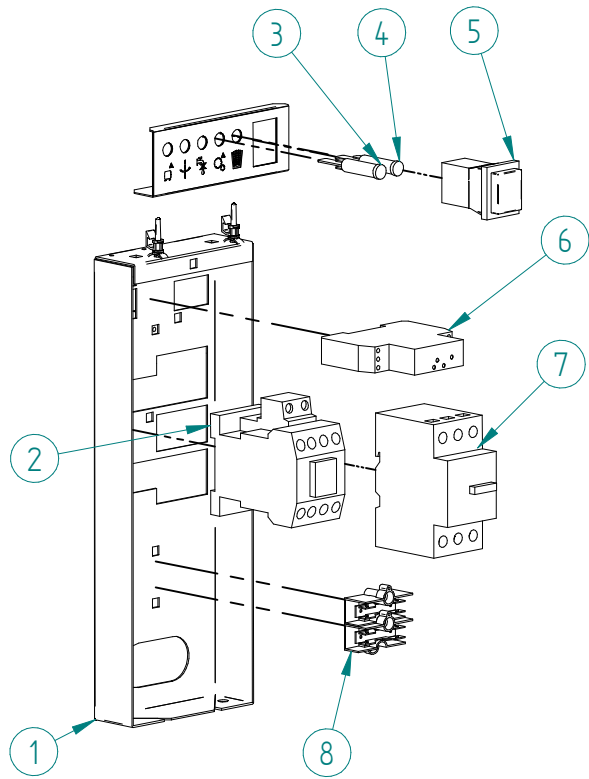
DESPIECE / REPUESTOS  
EXPLODED VIEW / SPARE PARTS  
EXPLOSIONSZEICHNUNG / ERSATZTEILE  
VUE ÉCLATÉE / PIÈCES DÉTACHÉES  
ESPLOSO / RICAMBI



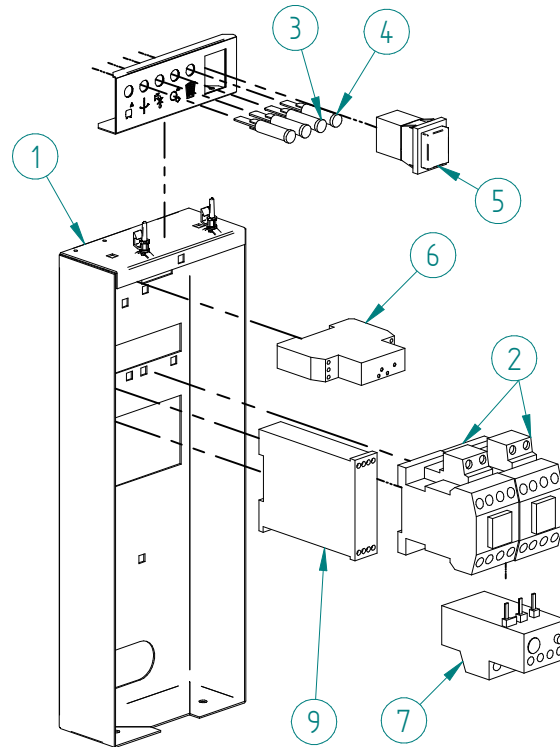
ITEM	DESCRIPTION	140/150	220	400	610	
1	AIR CONDENSER	486	487	33597		
2	FAN BLADE	4887		6398		
3	FAN SUPPORT	N/A		32653		
4	FAN MOTOR	220V/50HZ	28	32654		
5	FAN MOTOR WIRE	220V/50HZ	N/A		32656	
6	FAN CONTROL PRESSURE SWITCH				31160E	
7	HIGH PRESSURE SWITCH				31660E	
8	PRESSURE SWITCH COLLECTOR	31444		32695		
9	COMPRESSOR	220V/50HZ	31303	31305	31310	33348
		380V/50HZ	N/A			32817
10	FILTER DRIER				7896	
11	PLASTIC CLIP 1/4"				3533	
12	EXPANSION VALVE	N/A		31524	32346	



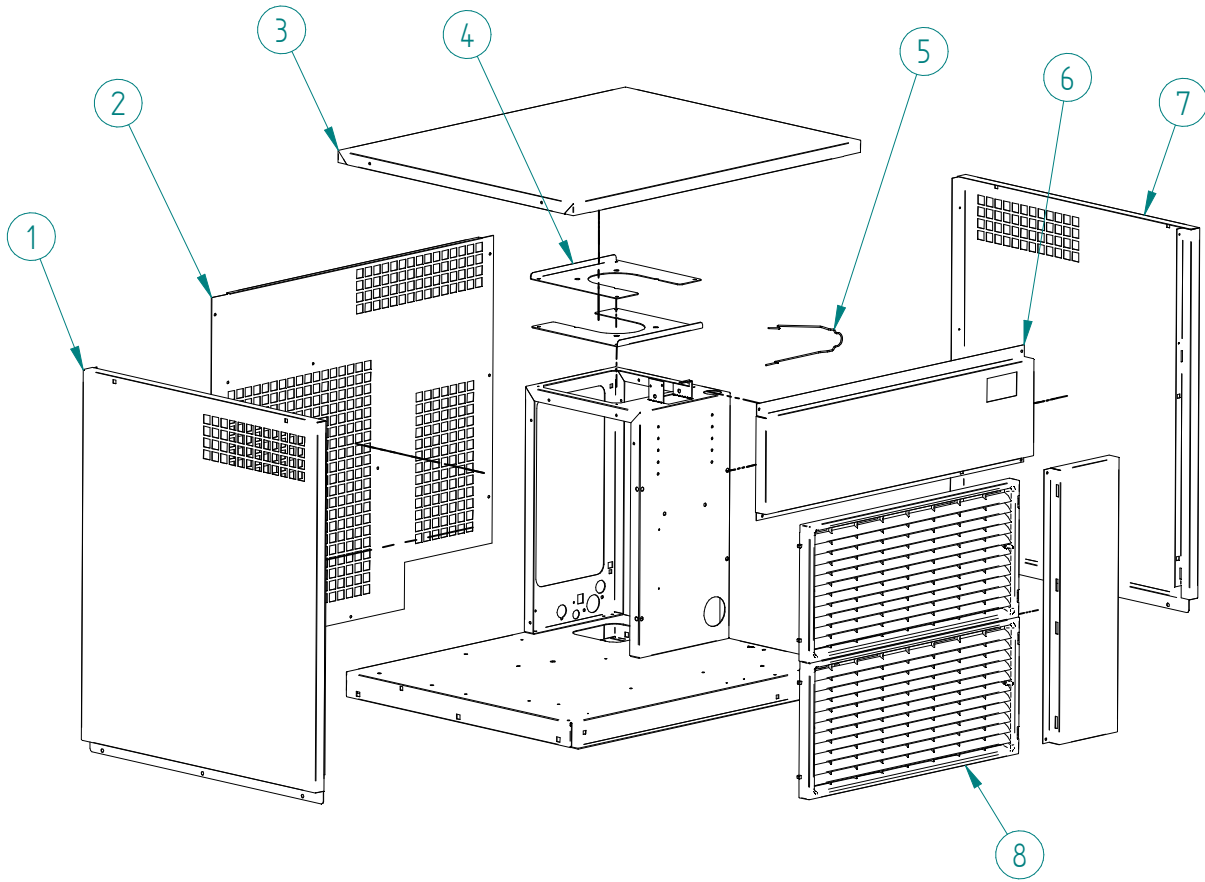
ITEM	DESCRIPTION	140/150	220
1	PRESSURE SWITCH COLLECTOR		31444
2	FAN CONTROL PRESSURE SWITCH		31160E
3	HIGH PRESSURE SWITCH		31660E
4	WATER CONDENSER	5243	5244
5	WATER CONDENSER EXTERNAL SUPPORT		4038
6	WATER CONDENSER LOWER SUPPORT		4037
7	WATER CONDENSER UPPER SUPPORT		4036
8	COMPRESSOR 220V/50HZ	31303	31305
9	PLASTIC CLIP 1/4"		3533
10	FILTER DRIER		7896



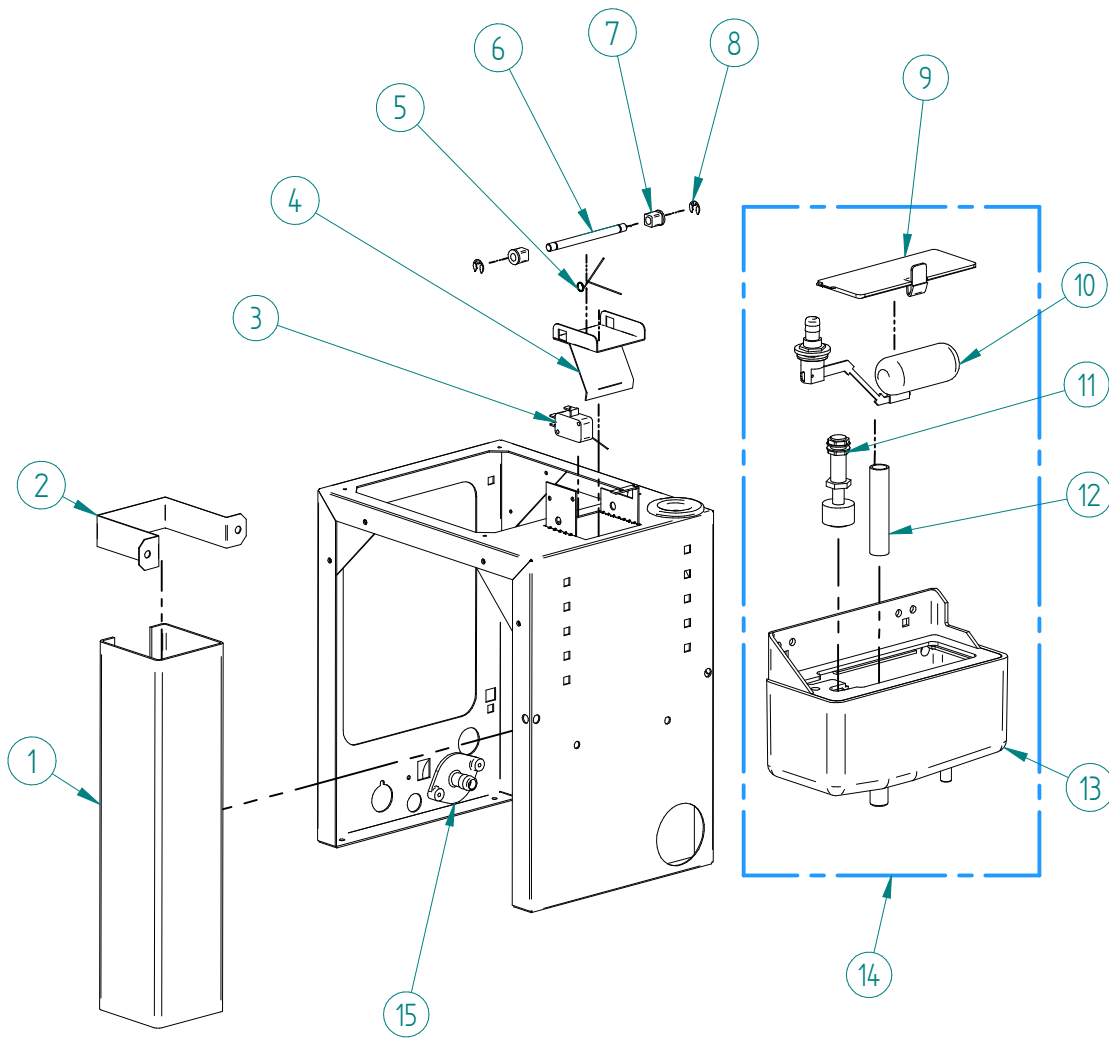
ICE QUEEN 600 (III)



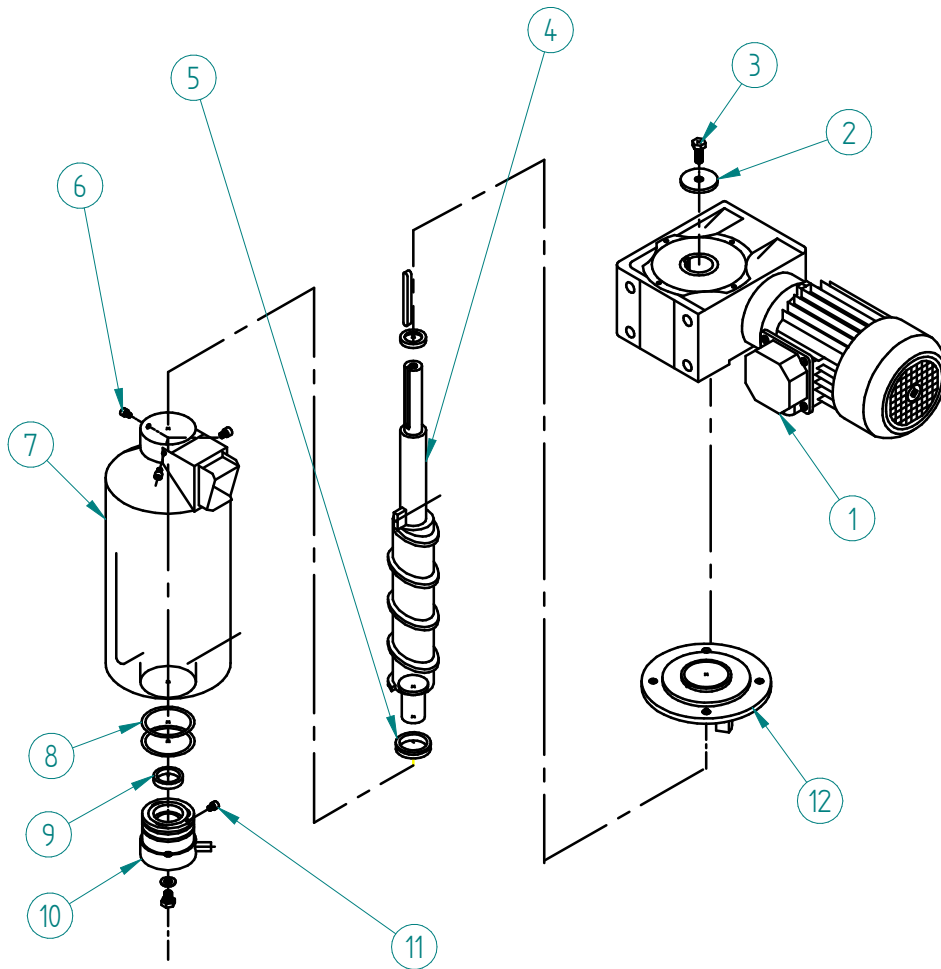
ITEM	DESCRIPTION	140/150 220/400	610
1	ELECTRIC BOX (I) (III)	2472	8770
		N/A	3218
2	CONTACTOR	536A	
3	RED LED	1457	
4	AMBER LED	1458	
5	ON/OFF SWITCH	2287	
6	TIMER	2471	
7	BREAKER	1964	47135
	FREQUENCY CONVERTER (I)	N/A	7747
8	TERMINAL BLOCK	5177	N/A
9	PHASE SEQUENCE RELAY (III)	N/A	3210



ITEM	DESCRIPTION	140/150/220	400	610
1	LEFT SIDE PANEL	1928U	2479U	2711U
2	REAR COVER	1949U	2481U	2712U
3	TOP PANEL	2465U	2480	8784
4	FLANGE SUPPORT	2455	2477	
5	LED SUPPORT SPRING	6661		
6	FRONT PANEL (I) (III)	6646	6648U	6650U
		N/A	6653U	6651U
7	RIGHT SIDE PANEL	1927U	2478U	2710U
8	FRONT LOUVER	8702	8704	8705U



ITEM	DESCRIPTION	140/150/220	400	610
1	OUTLET ICE TUBE	2441	2443	2444
2	OUTLET ICE TUBE SUPPORT		2447	
3	MICRO SWITCH		2517	
4	STOP BASCULE FLAP		2434	
5	BASCULE FLAP SPRING		817	
6	BASCULE AXIS		2514	
7	BUSHING		171	
8	SAFETY RING		6004	
9	WATER BIN COVER		1968G	
10	FLOAT VALVE		5340	
11	WATER LEVEL SENSOR		5423	
12	OVERFLOW TUBE		2505	
13	WATER BIN		6036A	
14	WATER BIN ASSEMBLY		5231A	
15	INLET WATER FITTING		1689	



ITEM	DESCRIPTION	140-150-220	400	610
1	GEAR MOTOR 220V/50HZ 380V/50-60HZ	3201A	3202	30363
		N/A		30363
2	AUGER TOP SPACER	2512		1850
3	AUGER TOP SCREW	3297		719
4	AUGER	2245	50	894
5	V-RING	2334	2335	
6	FLANGE SCREW	2871 (M6) -- 3560 (M10)		
7	EVAPORATOR	7633A	7635	7636A
8	O-RING BEARING	2256	2484	
9	SEAL	725	726	
10	LOWER BEARING	125A	162A	
11	BEARING SCREW		2595	
12	FLANGE/PLATE	5365		5366
13	EVAPORATOR ASSEMBLY (From 4 to 12)	7194	7179	7177