



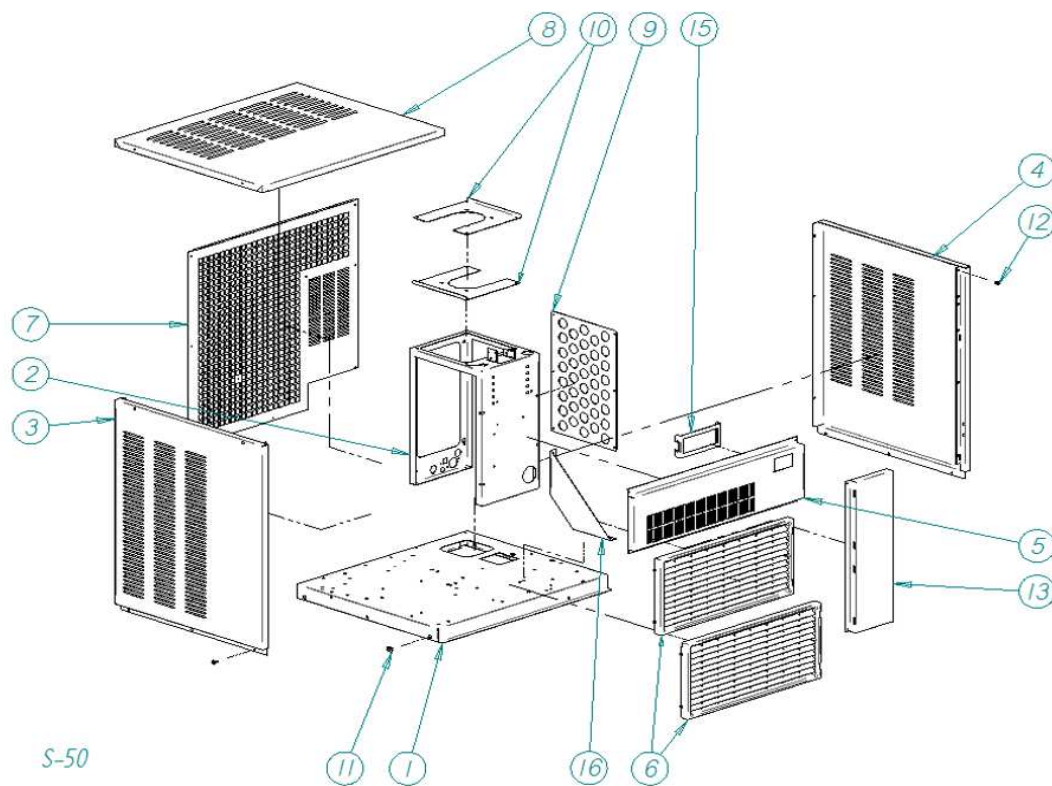
**GR**



DESPIECE / REPUESTOS  
EXPLODED VIEW / SPARE PARTS  
EXPLOSIONSZEICHNUNG / ERSATZTEILE  
VUE ÉCLATÉÉ / PIÈCES DÉTACHÉES  
ESPLOSO / RICAMBI

TECHNICAL ASSISTANCE

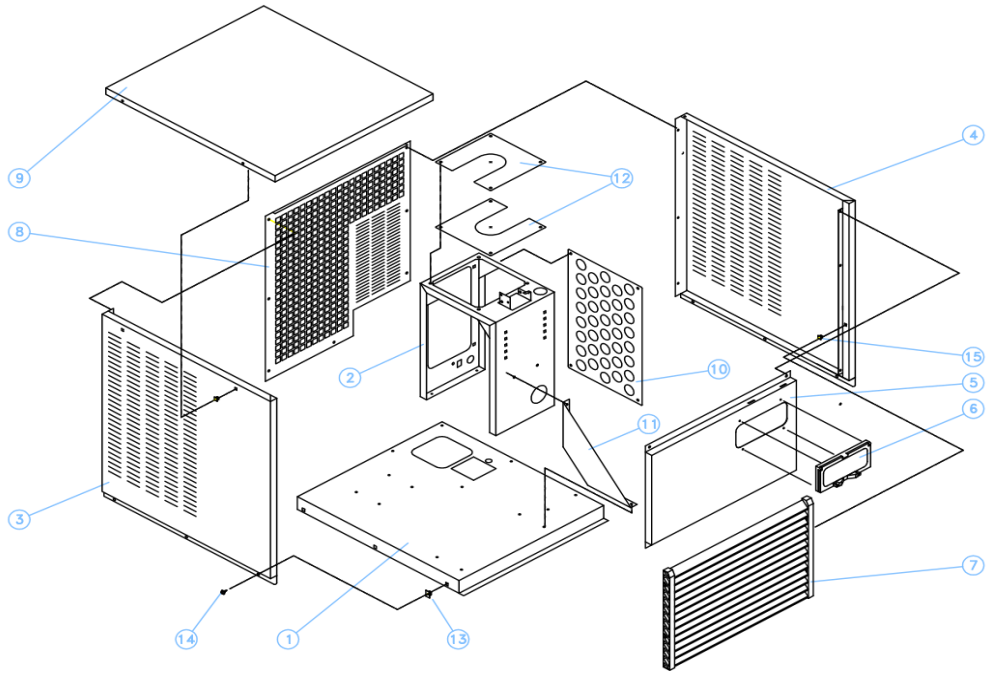




S-50

	NAME				
	GR 140	GR 220	GR 400	GR 560	
1	BASE	1915	2456	2475	
2	BRIDGE	1916	2458	2476	2715
3	LEFT PANEL	1928	2464	2479	2711
4	RIGHT PANEL	1927	2463	2478	2710
5	FRONT PANEL	6646	6647	(I) 6648	(I) 6650
		---	---	(III) 6653	(III) 6651
6	AIR GRILLE	6084	4185 X 2	4186 X 2	4186 X 3
7	BACK PANEL	1949	2466	2481	2712
8	TOP PANEL	2465		2480	
9	LATERAL COVER	---	---	---	2717
10	SUPPORT BRIDE	2455 X 2		2477 X 2	
11	PLASTIC NUT	2440			
12	PLASTIC NUT	2347			
13	FRONT PANEL	---	6656	6657	6658
15	LED SUPPORT	6659			
16	REAR STAY	---	1417		

UNTIL SERIAL NUMBER 1232138



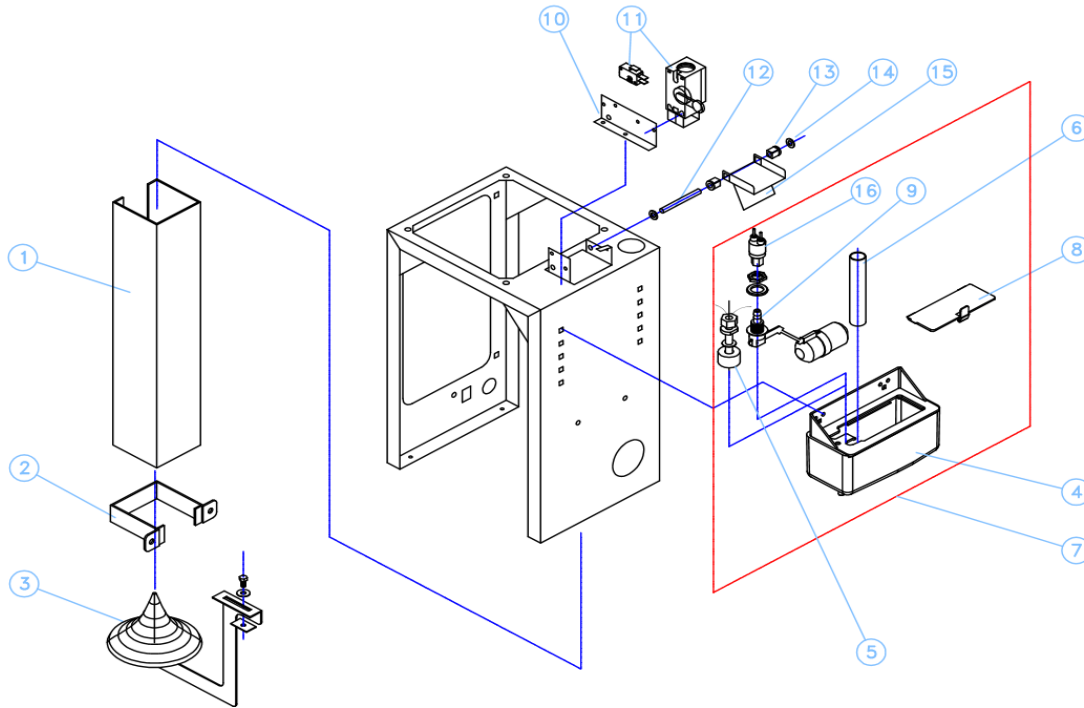
S-18

	NAME			
	GR 140	GR 220	GR 400	GR 560
1	BASE	1915	2456	2475
2	BRIDGE	1916	2458	2476
3	LEFT PANEL	1928	2464	2479
4	RIGHT PANEL	1927	2463	2478
5	FRONT PANEL	1948	2467	2482
6	PLASTIC COVER	1479		
7	REAR GRILLE	7571		7573
8	REAR PANEL	1949	2466	2481
9	TOP COVER	2465		2480
10	SIDE REINFORCEMENT	---	---	2717
11	CORNER REINFORCEMENT	---	1417	
12	MOTO BRACKET	2455		2477
13	SMALL NUT	2440		
14	SCREW	2491		
15	PLASTIC NUT	2347		

## BIN & HIDRAULICS PARTS

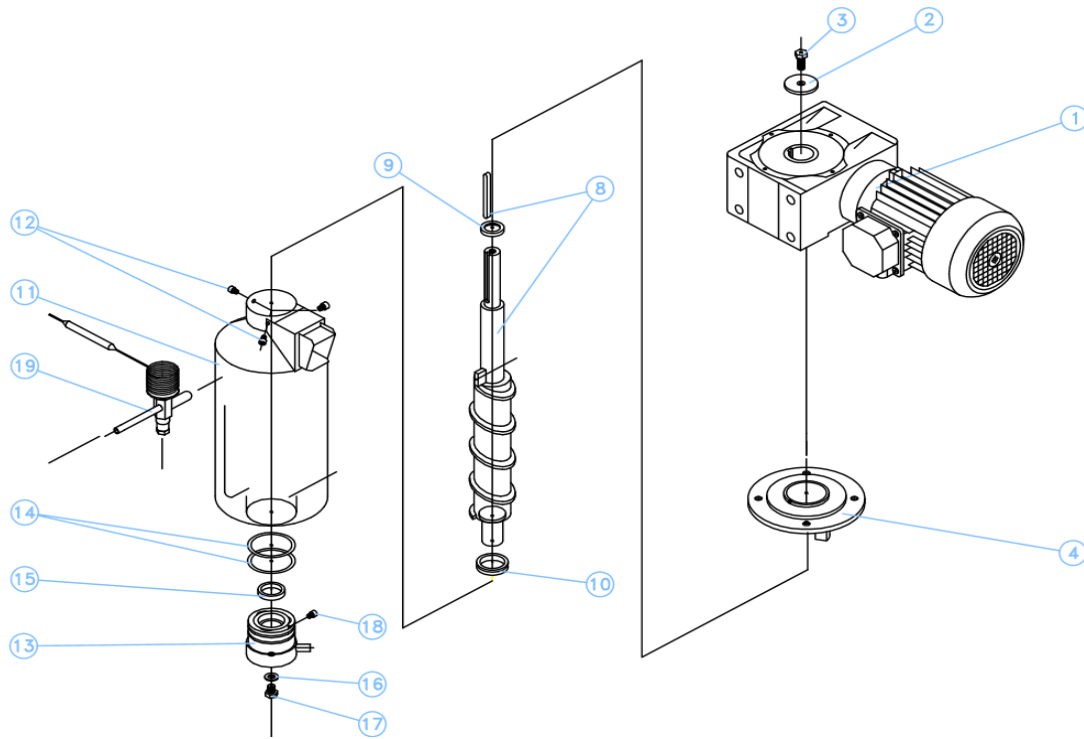


GR



S-19

	NAME				
	GR 140	GR 220	GR 400	GR 560	
1	ICE DELIVERY CHUTE	2441	2442	2443	2444
2	ICE DELIVERY CUBE FLANGE	2447			
3	DISPERSION CONE	7228			
4	WATER BIN	6036A			
5	WATER LEVEL PROBE	5423			
6	OVERFLOW TUBE	2505			
7	COMPLETE WATER BIN	5231A			
8	WATER BIN COVER	1968			
9	FLOAT	5340			
10	MICRO SUPPOTY	---		2863	
11	STOP MICRO	2517		2562	
	STOP MICRO (old GR560)	---			
12	SHAFT	2514			
13	DOOR BUSHING	171			
	ARTICULATION JOINT(old units)	107			
14	ARTICULATION JOINT	6004			
15	STOP FLOATING	2434			
16	WATER PRESSURE SWITCH (old GR560)	---		1120	
15	STOP FLOATING SPRING	817			

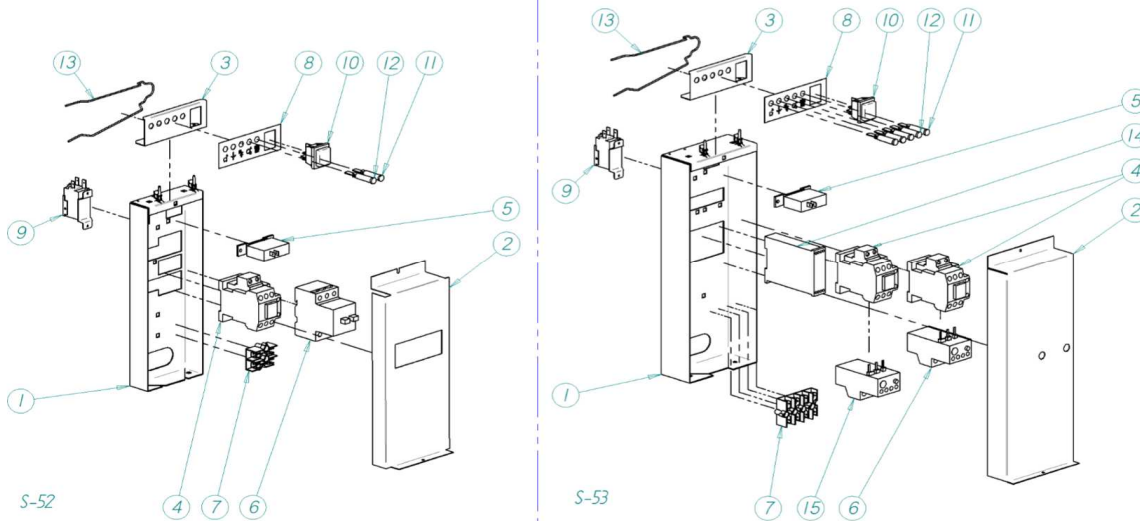


S-17

	NAME	MODEL			
		GR 140	GR 220	GR 400	GR 560
1	GEAR MOTOR				
	220V/50Hz	3201		3202	31083
	380V/50-60Hz	---		510	30363
	Old three phase (before 17971560) 380V/50-60Hz	---		510	31249
	230V/60Hz	1031		1253	1031
2	WASHER	2512			1850
3	SCREW	3297			719
4	MOTOR SUPPORT	5365			30874
	MOTOR SUPPORT (before 17971560)	5365			5366
8	AUGER	2245	2246	50	894
9	WASHER (before 17971560)	---	---		1820
10	V-RING SEAL	2334			2335
11	EVAPORATOR	7633	7634	7635	7636
12	SCREW	2871 (M6) -- 3560(M10)			
13	BOTTOM BEARING	125			162
14	O-RING	2256			2484
15	SEAL	725			726
16	WASHER	2510			
17	SCREW	2449			
18	SCREW	2595			
*	COMPLETE EVAPORATOR KIT	7194	7195	7179	7177

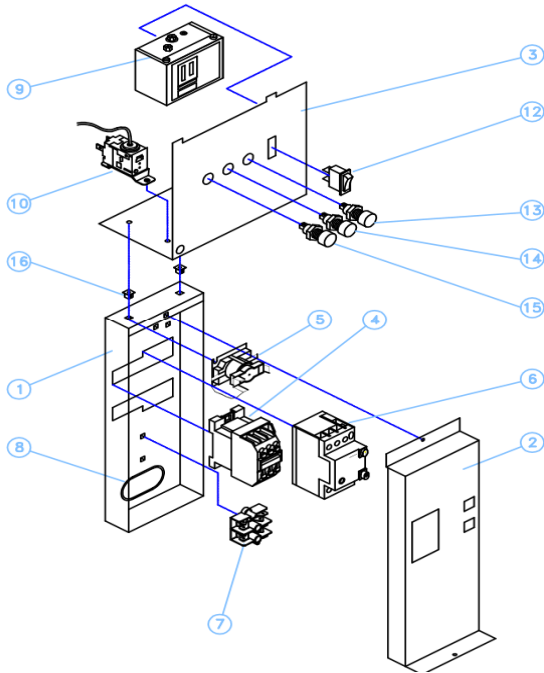
SINCE SERIAL NUMBER 1232138

THREE PHASE GR 560

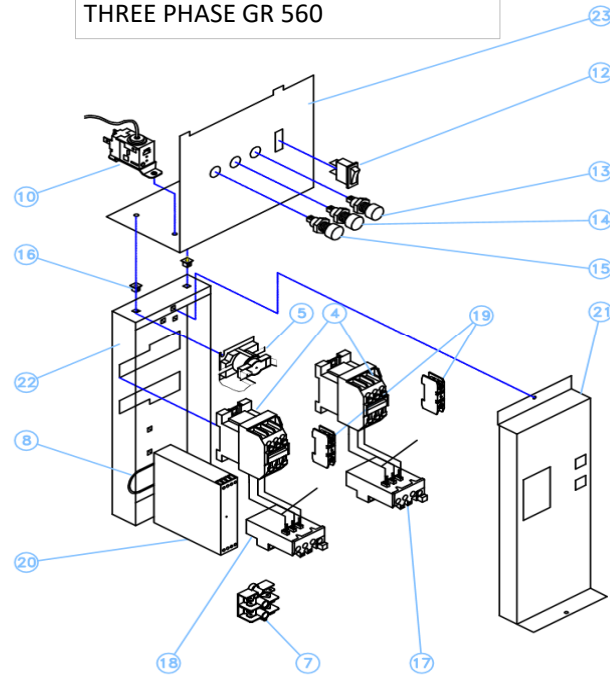


	NAME			
	GR 140	GR 220	GR 400	GR 560
1	BASE	2472(I) - 3218(III)		
2	COVER	2974(I) - 3221(III)		
3	LED SUPPORT	6659		
4	CONTACTOR	536A		
5	TIMER	2471		
6	GEAR MOTOR OVERLOAD	2470	1964(I) - 47135(III)	
7	CONNECTING POINT	5177		
8	BUSHING	6662		
9	CONDENSATION PRESSURE SWITCH	2507		
10	SWITCH	2287		
11	ORANGE LED	1458		
12	RED LED	1457		
13	LED MOORING	6661		
14	PHASE SEQUENCE RELAY	3210		
15	COMPRESOR OVERLOAD	47509		

UNTIL SERIAL NUMBER 1232138



THREE PHASE GR 560

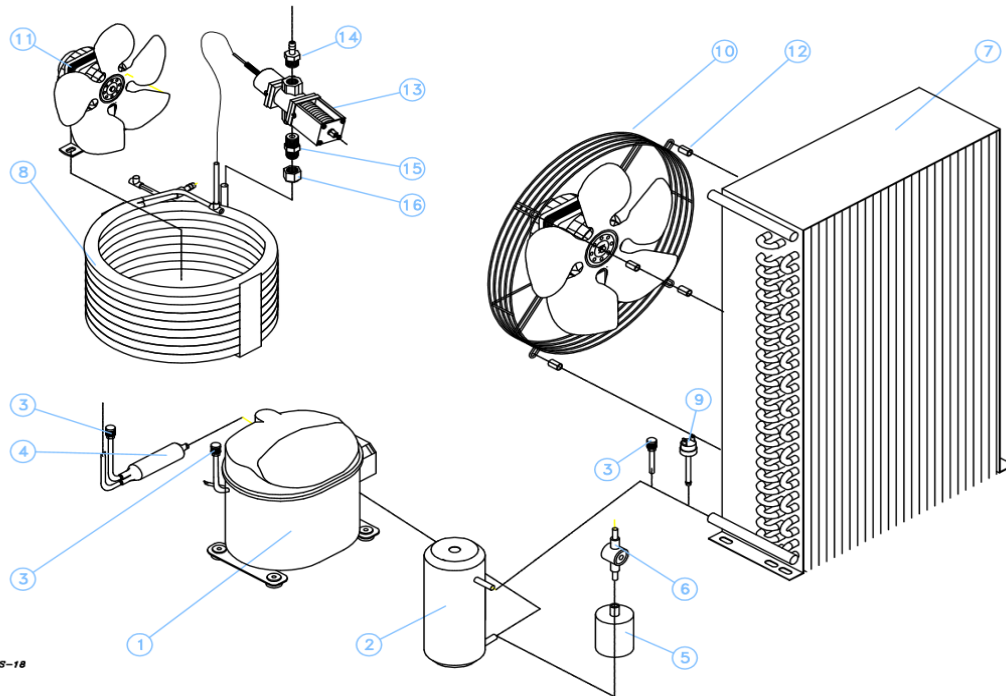


	DENOMINACION			
	GR 140	GR 220	GR 400	GR 560
1	BASE			2472
2	COVER			2974
3	PILOT SUPPORT	1950	2473	2483 2714
4	CONTACTOR			536A
5	TIMER			2471
6	BREAKER	2470		1964
7	CONNECTING POINT			5177
8	BUSHING			731
10	CONDENSATION PRESSURE SWITCH			2507
12	SWITCH			2300
13	GREEN PILOT			825
14	ORANGE PILOT			2498
15	RED PILOT			826
17	OVERLOAD GEAR MOTOR	---		47135
18	OVERLOAD COMPRESSOR	---		47509
19	AUX. CONTACT			3219
20	PHASE DETECTOR			3210
21	BOX COVER			3221
22	BASE			3218
23	PILOT SUPPORT			3220

# AIR-WATER CONDENSER



GR



8-18

	NAME	MODEL				
		GR 140	GR 220	GR 400	GR 560	
1	COMPRESSOR	230V - 50HZ	8437	8438	30441	30442
		230V - 60HZ	81095	81098	32029	
		115V - 60HZ	---		2026	---
		TRIF. 380V - 50HZ	---		34364	30525
2	LIQUID ACCUMULATOR (old units)	---		432	---	
3	VALVE	335				
4	DRIER	1717		1096	---	
5	DRIER	---			2560	
6	SIGHT GLASS (old units)	---			336	
7	AIR CONDENSER		488	499	8181	8181
		old units	---		1032	2474
8	WATER CONDENSER	5243	5244	5246	5879	
9	HIGH PRESSURE SWITCH	334				
10	AIR CONDENSER FAN	230V - 50HZ	445+4495	410+4994	2446	7523
		230V - 60HZ	445+4495	445+4495	2446	7523
		115V - 60HZ	---		230	---
		3 P.. 380V - 50HZ	---		2446	7523
		230V - 50HZ	444			
11	WATER CONDENSER FAN(old units)	230V - 60HZ	444			
		115V - 60HZ	2763	---	2763	---
		3 P.. 380V - 50HZ	---		444	
			---			
12	MOTOR SPACERS	---		1223	---	
13	WATER PRESSURE SWITCH VALVE	425				
14	WATER PRESSURE SWITCH VALVE HOSE	1015				
15	3/8" SAE - 3/8" GAS CONNECTION	430				
16	SAE 3/8" NUT	426				