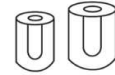


PS

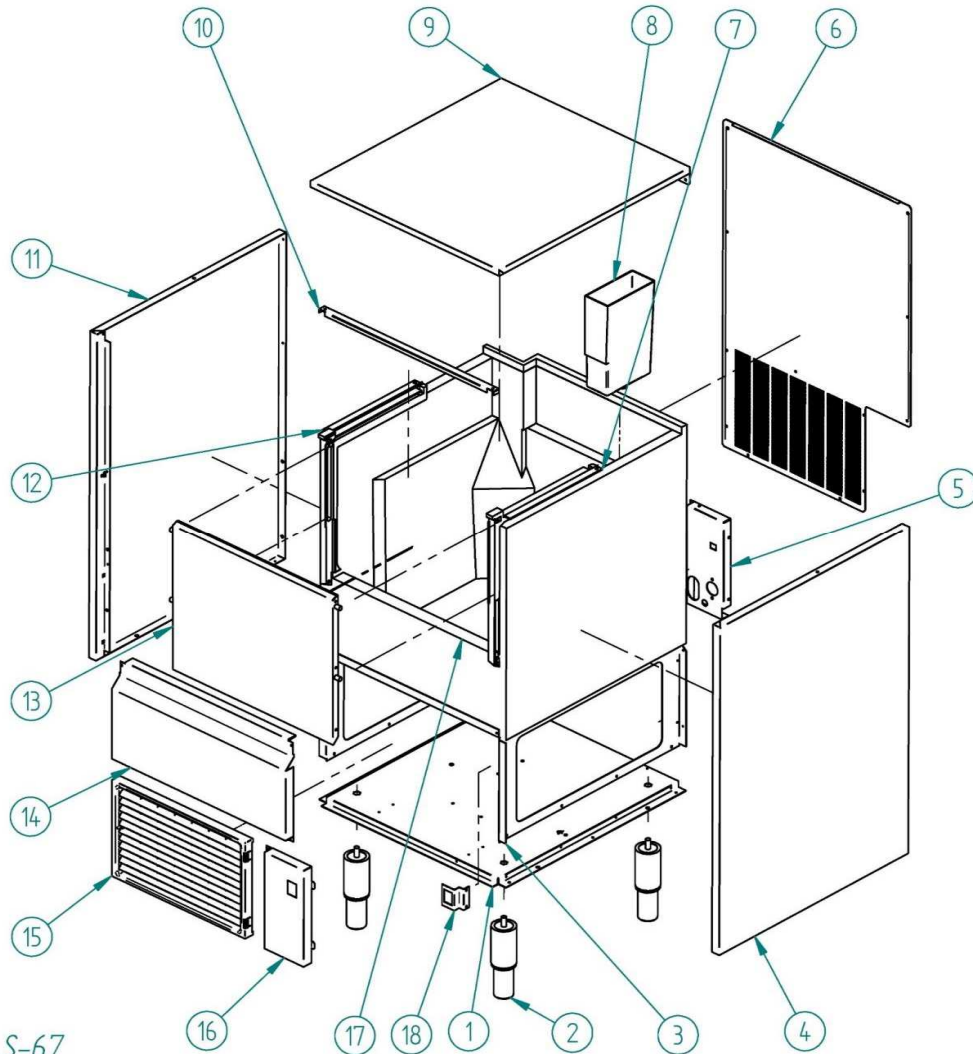


DESPIECE / REPUESTOS
EXPLODED VIEW / SPARE PARTS
EXPLOSIONSZEICHNUNG / ERSATZTEILE
VUE ÉCLATÉE / PIÈCES DÉTACHÉES
ESPLOSO / RICAMBI

CABINET



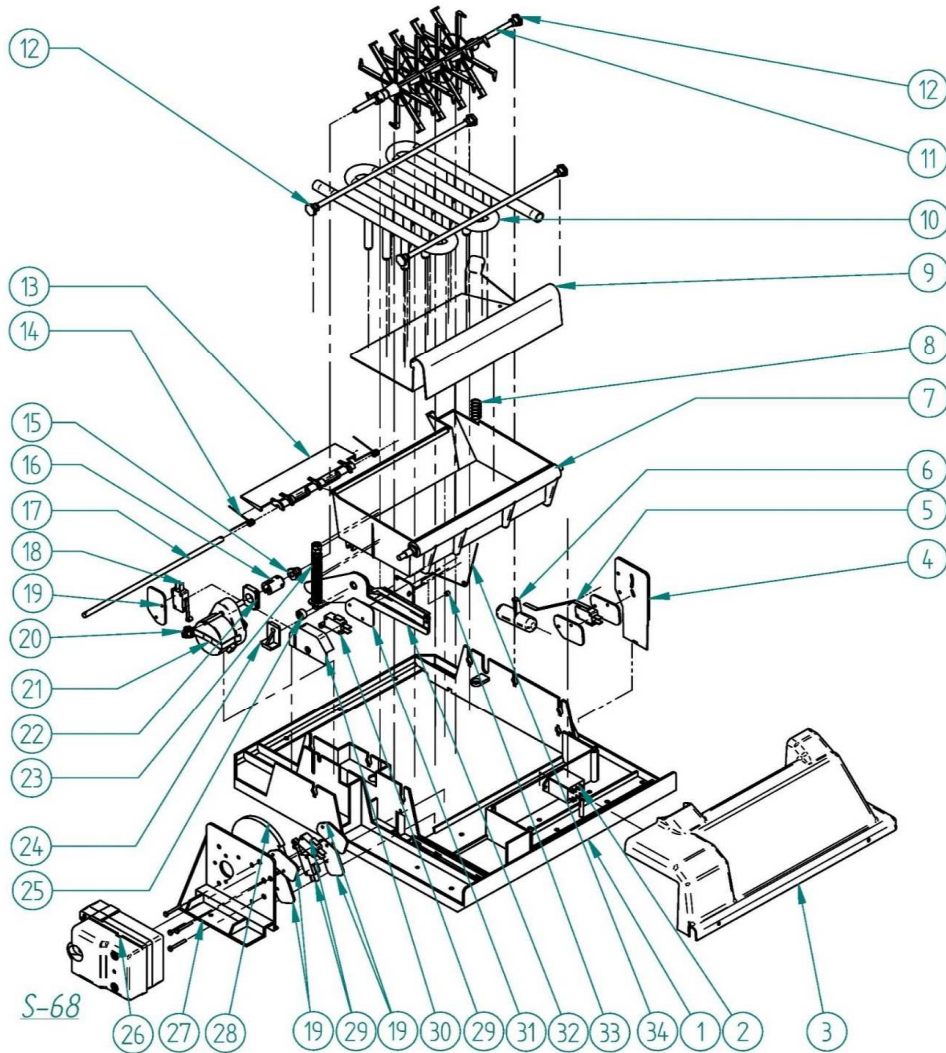
PS



	NAME						
	22	32	42	MODEL			
				52	62	82	122
1	BASEMENT			8510	8515	8551	8572
2	LEG			1478			
3	BRIDGE ANGLE			8501	8516	8552	8573
4	8057	8059		8487	8517	8553	
5	CONNECTION COLUMN			-	-	8563	
6	8063	8064		8490	8520	8556	8557
7	RIGHT DOOR GUIDE			1706	1706	1706	1706
8	WATER COLLECTOR			593			
9	TOP COVER			8491	521 + 3064	559 + 630	560 + 4326
10	UPPER BRACKET			8495	8523	8525	
11	8058	8060		8488	8518	8554	
12	LEFT DOOR GUIDE			1701	1707	1707	1707
13	DOOR			8512	8579	30541	30542
14	8061	8062		8489	8519	8555	8558
15	FRONT GRID			8719	8720		
16	-	-	-	-	-	-	-
17	7510	8413		7513	7514	7515	7516
18	SWITCH SUPPORT			8494			

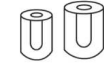
S-67

BIN & HIDRAULICS PARTS PS 22-32-42

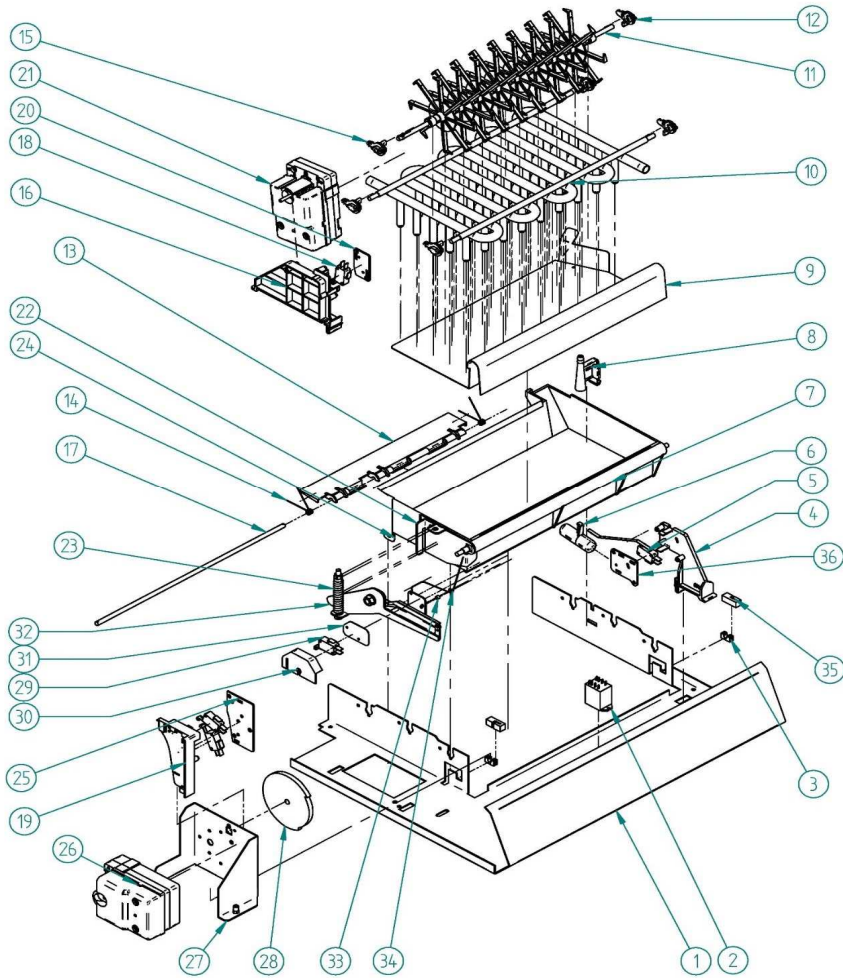


	NAME		
	22	32	42
1	MANUFACTURING HEAD		175
2	RELAY		1483
3	COVER HEAD		1982
4	MICRO BUOY SUPPORT		595
5	MICRO BUOY		388
6	BUOY		8075
7	5360	5361	
8	WATER INPUT SPRING		355
9	EJECTOR ICE		5537 5532
10	EVAPORATOR		7984 7989
11	AGITATOR		8074
12	EVAPORATOR SUPPORT		564
13	FLANGED LIMIT		31435
14	SPRING POSITIONING FLANGED		817
15	AGITATOR AND WATER TRAY BEARING		556
16	JOINT BUSHING		46
17	FLANGED AXE		12
18	MICRO		8079
19	MICRO PROTECTION		5212
20	REAR BEARING		554
21	PADDLE MOTOR		5364
22	FRONT BEARING		559
23	SECURITY SPRING		217
24	AXE TRAY SUPPORT		558
25	WATER TRAY AXE SUPPLEMENT		674
26			
27	COMPLETE TILTER MOTOR		8071K
28			
29			
30	LEFT MICRO BOX		372
31	MICRO PROTECTION		5211
32	CONNECTING ROD WATER TRAY		68
33	STOP MECHANISM BUSHING		52
34	STOP MACHINE SPRING		31508

BIN & HIDRAULICS PARTS PS 52-62-82-122

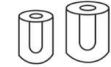


PS

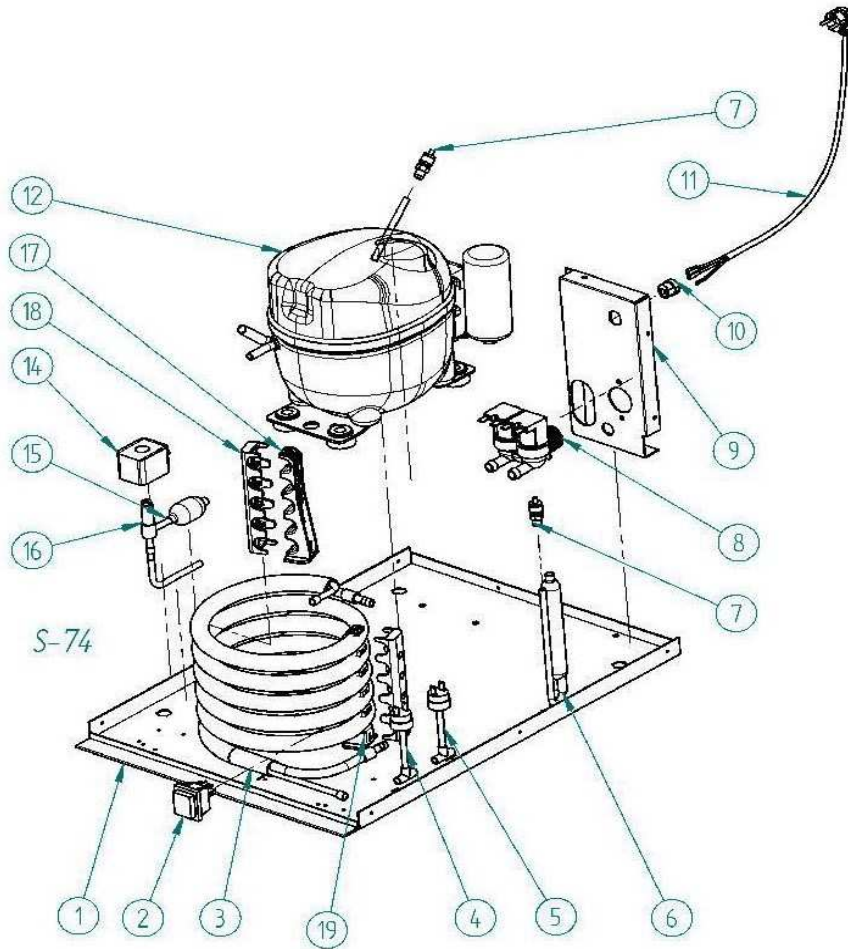


NAME		MODEL			
		52	62	82	122
1	MANUFACTURING HEAD	8496	8526	8527	8528
2	RELAY	1483			
3	OPEN BEARING	168			
4	MICRO BUOY SUPPORT	6844			
5	MICRO BUOY	388			
6	BUOY	8075			
7	WATER TRAY	5203	5204	5205	5273
8	WATER INPUT	6843			
9	EJECTOR ICE	8727	5539	5540	5530
10	EVAPORATOR	7998	8022	8027	8032
11	AGITATOR	8503	8541	8545	8546
12	BLIND EVAPORATOR SUPPORT	6481			
13	FLANGED LIMIT	810	811	812	812
14	SPRING POSITIONING BUOY	817			
15	AGITATOR & AXE SUPPORT	6842			
16	AGITATOR MOTOR SUPPORT	6848			
17	FLANGED AXE	813	814	815	815
18	MICRO	8079			
19	MICRO & TURNING MOTOR SUPPORT	6846			
20	AGITATOR MOTOR SUPPORT	6849			
21	GEAR MOTOR	6837			
22	SPRING SUPPORT	56			
23	SECURITY SPRING TRAY	68			
24	AXE FLANGED SUPPORT	816			
25	MICRO & TURNING MOTOR SUPPORT	6847			
26	GEAR REDUCER	8507			
27	TURNING MOTOR SUPPORT	8497	8497	8497	8497
28	ACTIVATOR WHEEL	5010			
29	MICRO	387			
30	LEFT MICRO BOX	372			
31	MICRO PROTECTION	5211			
32	CONNECTING ROD WATER TRAY	68			
33	STOP MECHANISM BUSHING	52			
34	STOP MACHINE SPRING	201			
35	FIXING CLAMP	178			
36	MICRO BUOY SUPPORT	6845			
35	FLOAT WITH MICRO	30201			

WATER CONDENSER

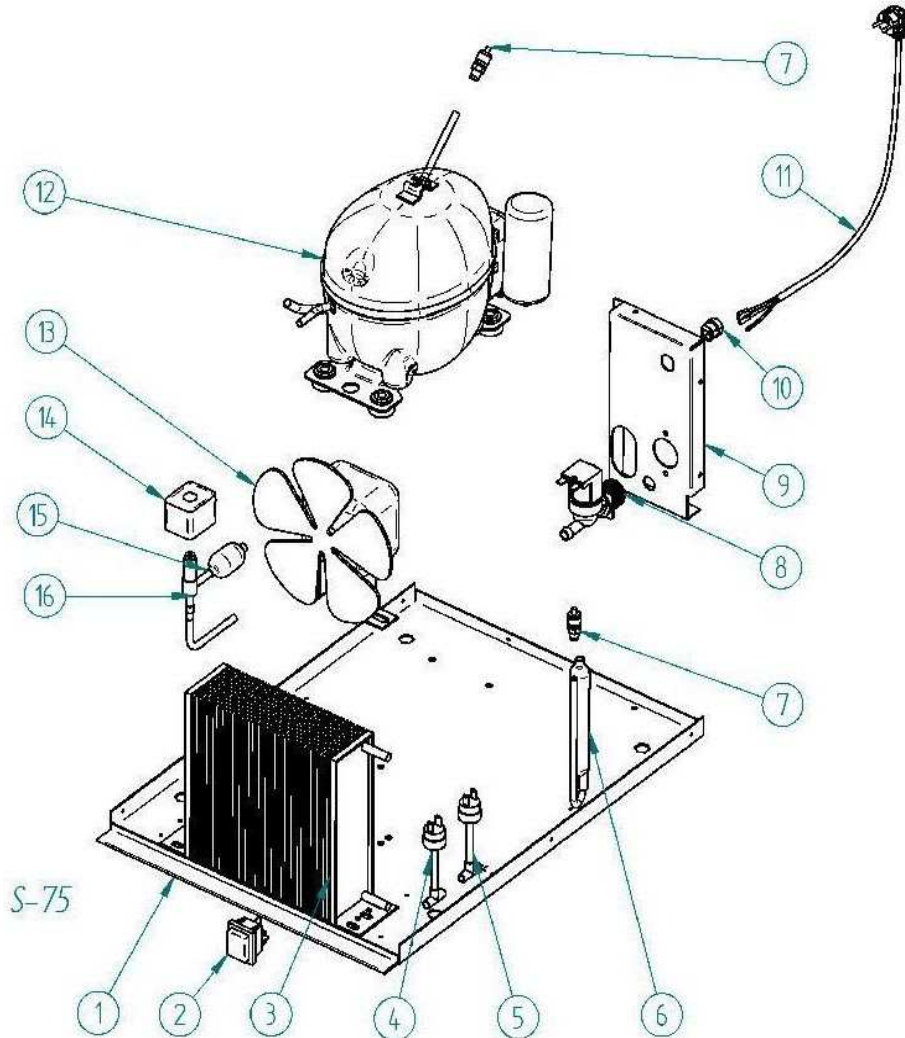


PS



	NAME						
	22	32	42	52	62	82	122
1	BASE PLATE		8179	8510	8515	8551	8572
2	SWITCH			2287			
3	WATER CONDENSER		8483	5243	5017	5018	
4	CONDENSATION PRESURE SWITCH			7476			
5	SAFETY PRESSURE SWITCH			334			
6	DEHYDRATION FILTER		449	1717			
7	LOAD VALVE			335			
8	INPUT WATER VALVE			404			
9	COLUMN		8055	8493	8521	8559	8560
10	HOLE FOR CORDS			8411			
11	ELECTRIC SUPPLY CABLE			408			
12	COMPRESSOR		6838	6005	6006	6515	6516
14	COIL		6906	5173			
15	FILTER			448			
16	HOT GAS VALVE		6904	762			
17	LOW SUPPORT			4037			
18	EXTERNAL SUPPORT			4038			
19	HIGH SUPPORT			4036			

AIR CONDENSER



	NAME						
	22	32	42	52	62	82	122
1	BASE PLATE		8179	8510	8515	8551	8572
2	SWITCH						
3	AIR CONDENSER		2423	8037	8327	4157	
4	CONDENSATION PRESSURE SWITCH						
5	SAFETY PRESSURE SWITCH						
6	DEHYDRATION FILTER		449	1717			
7	LOAD VALVE						
8	INPUT WATER VALVE						
9	COLUMN		8055	8493	8521	8559	8560
10	HOLE FOR CORDS						
11	ELECTRIC SUPPLY CABLE						
12	COMPRESSOR		6838	6005	6006	6515	6516 6007
13	MOTOR+FAN		2170+587		28+4887	28+4231	4994+410
14	COIL		6904		762		
15	FILTER						
16	HOT GAS VALVE						