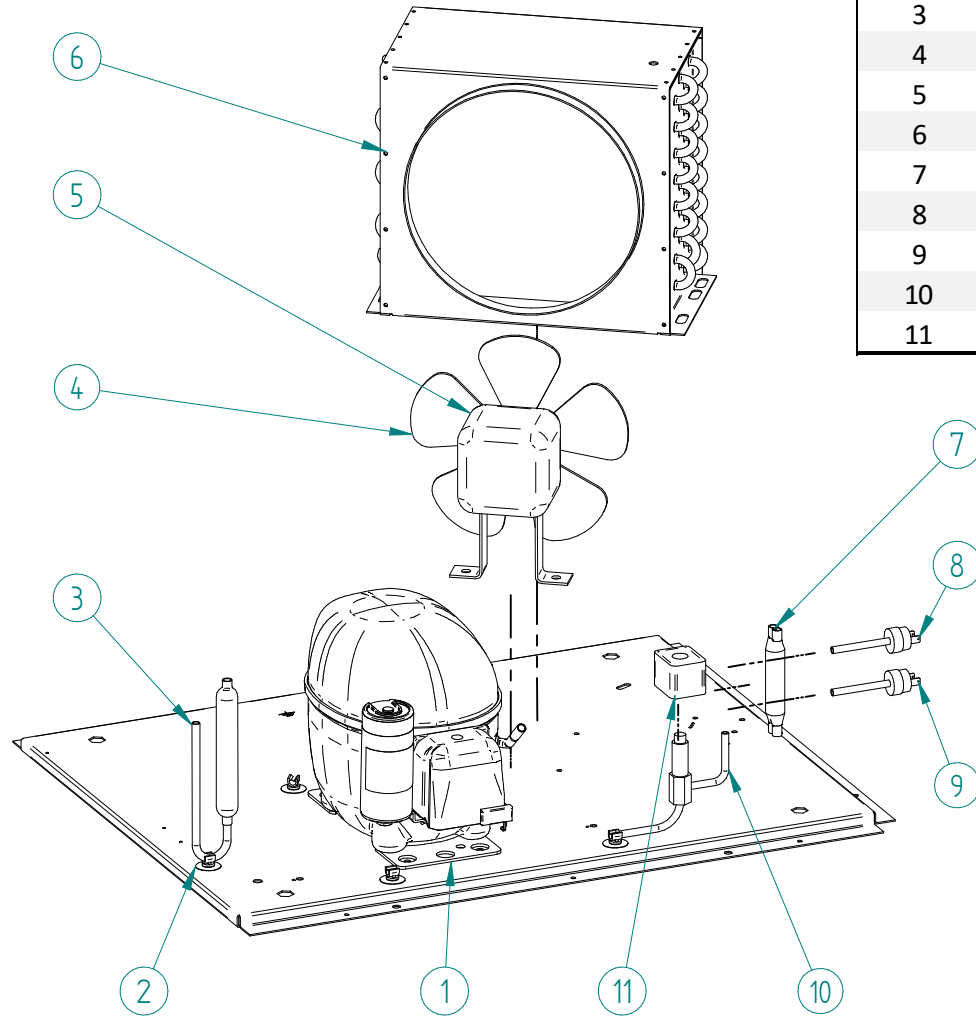


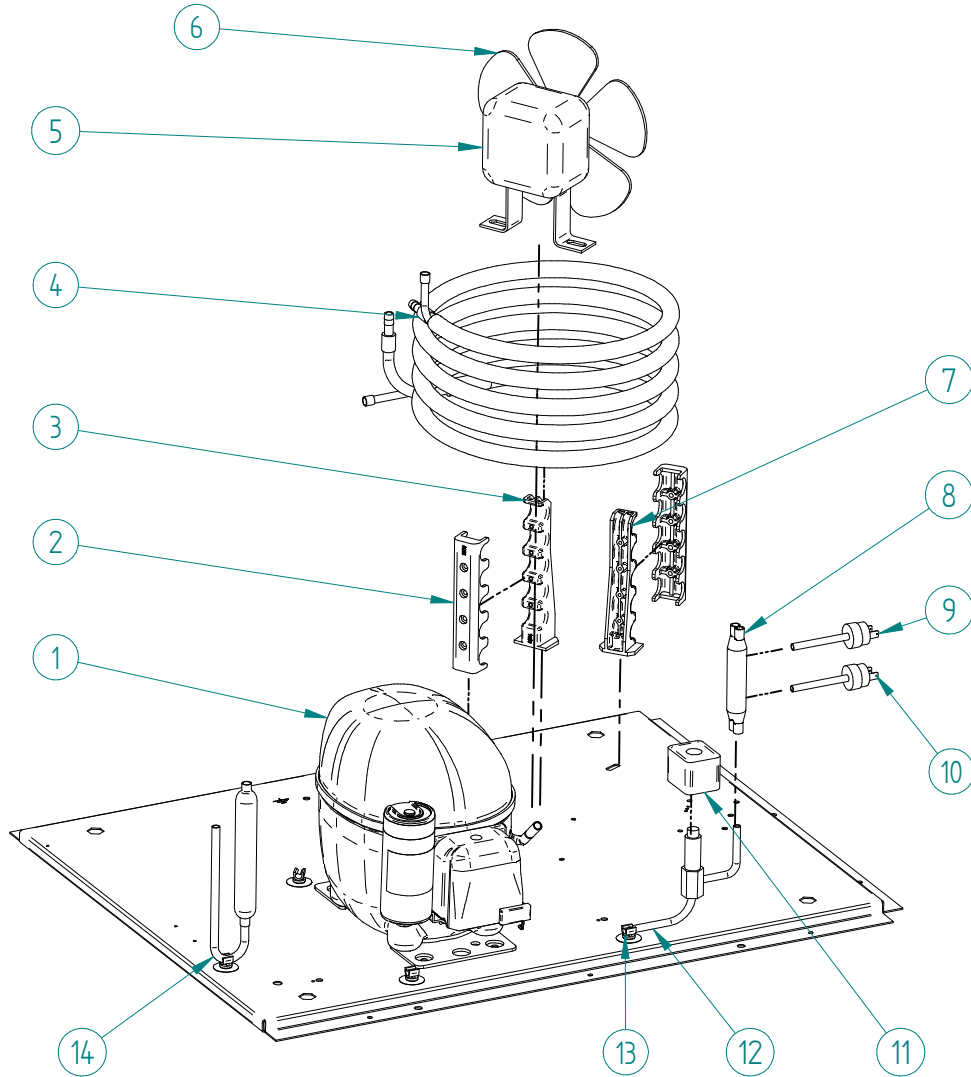


DESPIECE / REPUESTOS  
EXPLODED VIEW / SPARE PARTS  
EXPLOSIONSZEICHNUNG / ERSATZTEILE  
VUE ÉCLATÉÉ / PIÈCES DÉTACHÉES  
ESPLOSO / RICAMBI



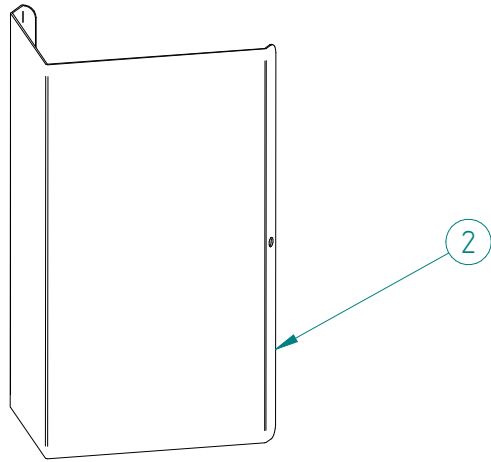
ITEM	DESCRIPTION	MODEL				
		35	45	60	80	135
1	COMPRESSOR 220V/50HZ	31302	31304		31306	31309
2	CLIP TUBE	3533				
3	FILTER DRIER	7896				
4	FAN BLADE	4887				4231
5	FAN MOTOR 220V/50HZ	28				445
6	AIR CONDENSER	486	487	32251	32730	
7	PRESSURE SWITCH COLLECTOR	31444				
8	FAN CONTROL PRESSURE SWITCH	31160E				
9	HIGH PRESSURE SWITCH	31660E				
10	HOT GAS VALVE - BODY	1473				6396
11	HOT GAS VALVE - COIL 220V/50HZ	5173				

**\*SERIAL NUMBER MUST BE PROVIDED**

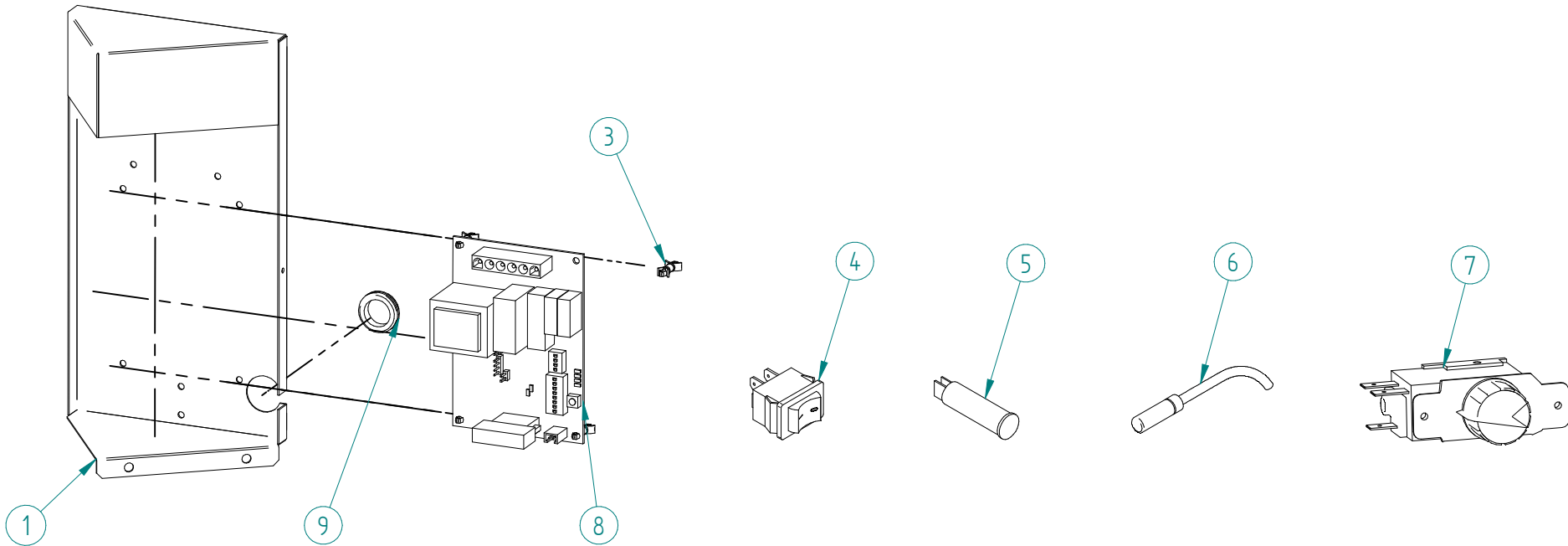


ITEM	DESCRIPTION	MODEL		
		35	45	60
1	COMPRESSOR 220V/50HZ	31302	31304	
2	WATER CONDENSER EXTERNAL SUPPORT	4038		
3	WATER CONDENSER UPPER SUPPORT	4036		
4	WATER CONDENSER	5016		32187
5	FAN MOTOR 220V/50HZ	N/A	2170	
6	FAN BLADE	N/A	587	
7	WATER CONDENSER LOWER SUPPORT	4037		
8	PRESSURE SWITCH COLLECTOR	31444		
9	FAN CONTROL PRESSURE SWITCH	31160E		
10	HIGH PRESSURE SWITCH	31660E		
11	HOT GAS VALVE - COIL 220V/50HZ	5173		
12	HOT GAS VALVE - BODY	1473		
13	CLIP TUBE	3533		
14	FILTER DRIER	7896		

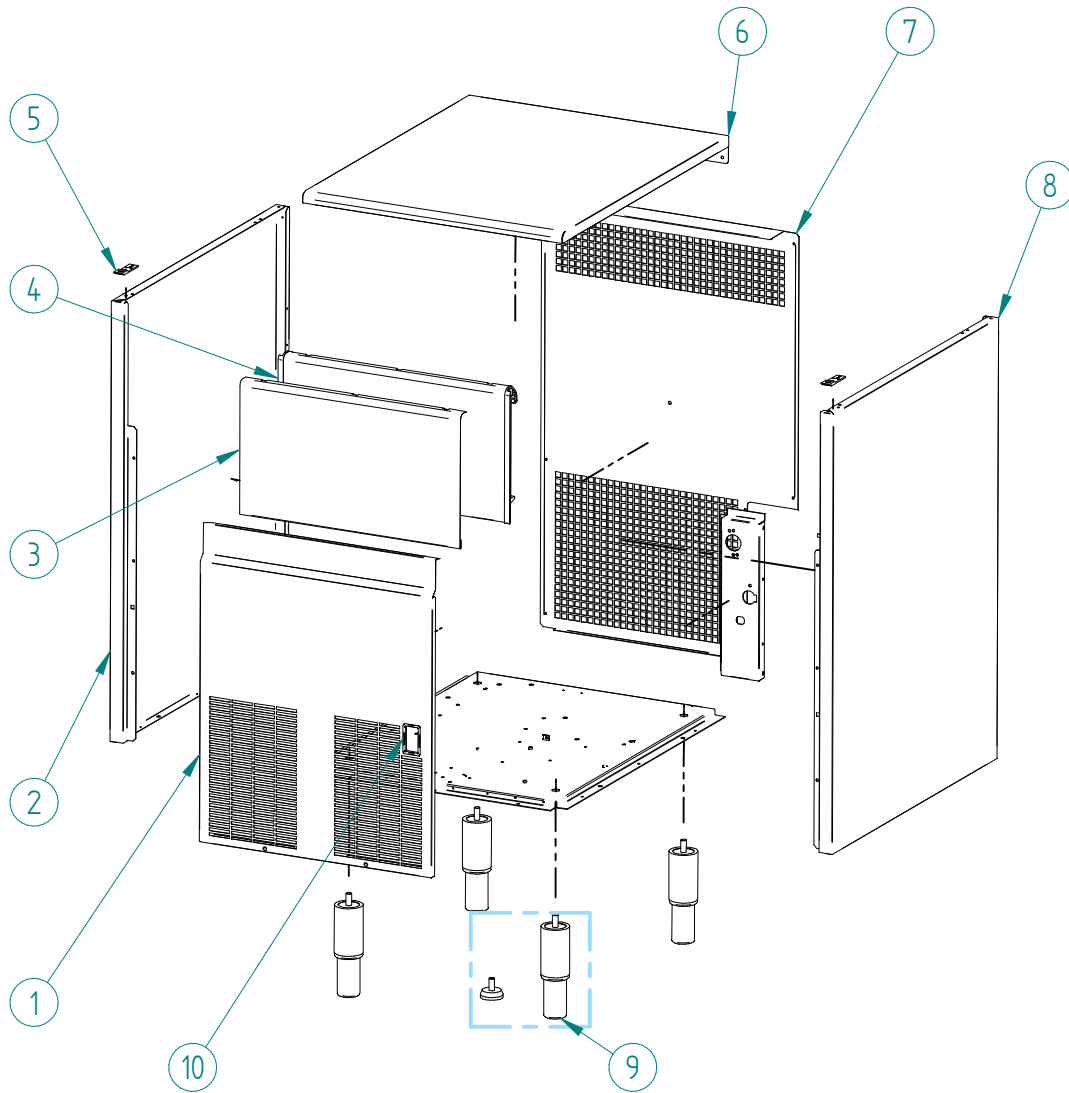
\*SERIAL NUMBER MUST BE PROVIDED



ITEM	DESCRIPTION	MODEL				
		35	45	60	80	135
1	ELECTRIC BOX SUPPORT	31823A				
2	ELECTRIC BOX COVER	31571A				
3	ELECTRONIC BOARD CLIP	31544				
4	MAIN SWITCH*	32416				
5	LED*	4280				
6	TEMPERATURE PROBE*	31708		32644		
7	BIN THERMOSTAT	31758				
8	ELECTRONIC BOARD 220V/50HZ	8143D				
9	WIRE HOLE	31746				



**\*SERIAL NUMBER MUST BE PROVIDED**



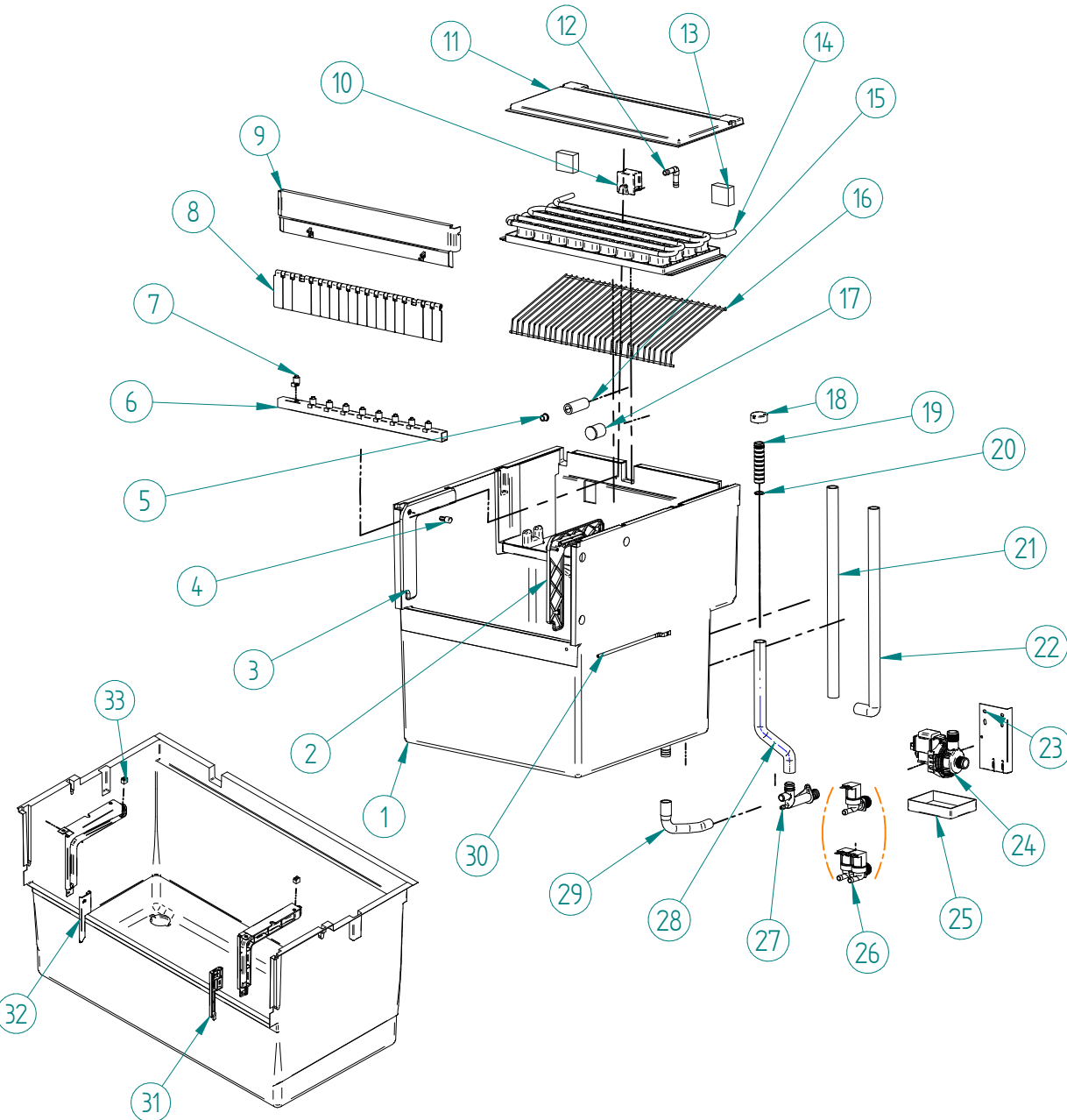
ITEM	DESCRIPTION	MODEL			
		35/45	60	80	135
1	FRONT PANEL SS*	2086UA	2088UA	2089U	6453U
	FRONT PANEL SK*	4448UA	4449UA	4450U	4451U
2	LEFT PANEL SS	4811	4813	4815	4817A
	LEFT PANEL SK	4437	4439	4441	4443A
3	DOOR COVER SS	6418	6419	6420	N/A
	DOOR COVER SK	4456	4457	4458	
4	DOOR SS				31146
	DOOR SK	4268A	4269	4270	31110
5	TOP PANEL FASTENING		8996		N/A
6	TOP PANEL SS	4818V1	4819V1	4820V1	4821V1
	TOP PANEL SK	4444V1	4445V1	4446V1	4447V1
7	REAR COVER	4108U	4124U	4138U	4460U
8	RIGHT PANEL SS	4810	4812	4814	4816A
	RIGHT PANEL SK	4436	4438	4440	4442A
9	LEGS	4144		1478	
10	MAIN SWITCH SUPPORT	32442			

\*SERIAL NUMBER MUST BE PROVIDED

# HYDRAULIC PARTS



# SS/SK R290



ITEM	DESCRIPTION	MODEL			
		35/45	60	80	135
1	BIN*	7460B	7461B	7462B	31012B
2	RIGHT DOOR GUIDE		4272		30668A
3	LEFT DOOR GUIDE		4273		30667A
4	DOOR PIVOT		4276		N/A
5	WATER FLOW RESTRICTOR	805		N/A	
6	SPRAY BAR	7454	7455	7456	7497
7	SPRAY NOZZLE		526		
8	CURTAIN ASSEMBLY	8362	8363	8364	5957
9	CURTAIN HOLDER	8176	8177	8178	4464
10	WATER INLET	32175			
11	EVAPORATOR COVER	4707A	4708A	4709A	4710A
12	WATER INLET PIPE	32174			
13		32272			
14	EVAPORATOR*	30GR 7423A	7400	7156	7501A
		40GR 31359A	31387	31366	31381
15	SPRAY BAR TUBE	4098			
16	ICE CUBES RAMP	8904B	8905A	8906A	8907A
17	FILTER	4505			
18	OVERFLOW CAP	4427			
19	OVERFLOW PIPE	4426			
20	O-RING	4496			
21	WATER PUMP DISCHARGE TUBE	4713	4724	4727	4886
22	WATER PUMP SUCTION TUBE	8829	8830	8831	
23	WATER PUMP SUPPORT	4613			
24	WATER PUMP 220V/50HZ	4769	8687		
25	WATER PUMP TRAY	4521			
26	INLET WATER VALVE 1B 220V/50HZ	6980+4527			6981+4527
	INLET WATER VALVE 2B 220V/50HZ	6981+4527+6959			N/A
27	DRAIN FITTING	363			6206
28	HARVEST DRAIN TUBE	4714	4726		4729
29	BIN DRAIN TUBE	6021			1907
30	THERMOSTAT TUBE	4624	4627		4624
31	LOWER RIGHT DOOR GUIDE	N/A			30670
32	LOWER LEFT DOOR GUIDE	N/A			30669
33	DOOR STOPPER	N/A			1715

**\*SERIAL NUMBER MUST BE PROVIDED**